

Southwest Ranches Council
Mayor Steve Breitzkreuz
Vice Mayor Jim Allbritton
Gary Jablonski
David S. Kuczenski
Bob Hartmann



Town Administrator
Russell Muñiz

INVITATION FOR BIDS

IFB No. 24-003

Town of Southwest Ranches
is seeking bids for:

SW 205TH AVENUE AND SW 49TH COURT DRAINAGE PROJECT

Date issued/available for distribution: Monday, July 29, 2024

Bidder shall submit **ONLINE** using the <http://www.demandstar.com> E-bidding platform at <http://www.demandstar.com>. The complete submittal must be received by the Office of the Procurement Officer no later than **Wednesday, August 21, 2024, at 11:00 a.m. EST**. See Section 1.7 for mailing instructions.

Non-Mandatory Pre-Bid Conference: Wednesday, August 7, 2024, at 11:00 a.m. EST. See Section 1.3, of this IFB for information on the Pre-Bid Conference.

CAUTION

Amendments to this Invitation for Bids will be posted on the Southwest Ranches website Procurement page which can be accessed at <http://southwestranches.org/procurement>. As they are issued, all amendments to solicitations will be posted under the applicable solicitation on the system. It is the bidder's sole responsibility to routinely check the system for any amendments that may have been issued prior to the deadline for receipt of bids. Vendors are advised to complete the online Vendor Application.

Southwest Ranches shall not be responsible for the completeness of any IFB document, amendment, exhibit or attachment that was not downloaded from the system or obtained directly from the Procurement Division.

IN ACCORDANCE WITH THE PROVISIONS OF ADA, THIS DOCUMENT MAY BE
REQUESTED IN AN ALTERNATIVE FORMAT.

NOTICE TO CONTRACTORS

Bids will be received by the Town of Southwest Ranches, Florida (“Town”), via <http://www.demandstar.com> E-bidding, until 11:00 a.m., EST, and opened on **Wednesday, August 21, 2024, at 11:00 a.m., EST**, for all material, labor, equipment and supplies necessary for the:

SW 205TH AVENUE AND SW 49TH COURT DRAINAGE PROJECT

To better manage document disbursement for the bid process, the Town will make bid documents available on the Southwest Ranches website which can be accessed at:

<http://southwestranches.org/procurement>

To review the bid documents for this project, go to the above URL and click on the project hyperlink. The documents for this project are also available at <http://www.demandstar.com>. Contractors may download and print the bid documents or contact Christina Semeraro at (954) 343-7467 or e-mail at csemeraro@southwestranches.org.

All bids shall be submitted in accordance with General Provision Section 2 and accompanied by the documentation referenced therein, at a minimum.

The Non-Mandatory Pre-Bid Conference will be held on **Wednesday, August 7, 2024, at 11:00 a.m. EST**, via Microsoft Teams Meeting, the link is accessible on the Town website and the <http://www.demandstar.com> E-Bidding Platform.

The public may view bid meetings in person in the Grand Oak Conference room in Town Hall located at 13400 Griffin Road, Southwest Ranches, FL 33330.

Bids requested shall be set forth in the Bid and the Bid Form attached to and forming a part of the Specifications.

Prior to execution of a contract, Bidder shall submit to Town a copy of its non-discrimination policy, which shall be consistent with the non-discrimination requirements of the contract. In the event that Bidder does not have a written non-discrimination policy, Bidder shall be required to sign a statement affirming their non-discrimination policy conforms with Section 2.31, of the Invitation for Bids.

The Town reserves the right to reject any or all bids.

TOWN OF SOUTHWEST RANCHES, FLORIDA
SW 205TH AVENUE AND SW 49TH COURT DRAINAGE PROJECT
IFB NO. 24-003

TABLE OF CONTENTS

	<u>PAGE</u>
SECTION 1 GENERAL INFORMATION	1
1.1 ISSUING OFFICE.....	1
1.2 PURPOSE OF THE PROJECT	1
1.3 NON-MANDATORY PRE-BID CONFERENCE.....	1
1.4 QUALIFICATIONS OF BIDDERS	1
1.5 TIMETABLE	2
1.6 BID SUBMISSION	2
1.7 CONTACT PERSON	3
1.8 PROCUREMENT CODE.....	3
1.9 CONE OF SILENCE	3
1.10 PUBLIC OPENING	4
1.11 ADDITIONAL INFORMATION/AMENDMENT(S)	4
1.12 DISCLAIMER.....	5
1.13 NOTICE TO PROCEED	5
SECTION 2 TERMS AND CONDITIONS.....	6
2.1 ADHERENCE TO REQUIREMENTS	6
2.2 MODIFIED BIDS	6
2.3 WITHDRAW OF BID.....	6
2.4 LATE BID, LATE MODIFIED BID	6
2.5 IFB POSTPONEMENT/CANCELLATION.....	6
2.6 COSTS INCURRED BY BIDDERS	7
2.7 PROPRIETARY/CONFIDENTIAL INFORMATION.....	7
2.8 RIGHT TO PROTEST	7
2.9 RULES; REGULATIONS; LICENSING REQUIREMENTS	7
2.10 AWARD.....	8
2.11 WRITTEN CONTRACT.....	8
2.12 ASSIGNMENT	8
2.13 CANCELLATION	8
2.14 RELATION TO PARTIES	8
2.15 COMPLIANCE WITH LAW	8
2.16 WAIVER OF LIABILITY.....	9
2.17 INDEMNIFICATION	9
2.18 SECONDARY/OTHER VENDORS	9
2.19 DEFAULT PROVISION.....	9
2.20 GOVERNING LAW	9
2.21 DISPUTES	9
2.22 REMEDIES FOR BREACH	10
2.23 PUBLIC RECORDS LAW.....	10
2.24 CONTRACT PROVISIONS (EXHIBIT "A")	11
2.25 LICENSING, PERMITS, INSPECTIONS AND LIABILITY INSURANCE	11
2.26 INSURANCE REQUIREMENTS	12
2.27 ADDITIONAL INSURANCE REQUIREMENTS.....	12
2.28 SECURITY AND BONDING REQUIREMENTS	13
2.29 COMMENCEMENT OF WORK.....	15
2.30 NON-DISCRIMINATION & EQUAL EMPLOYMENT OPPORTUNITY	16

TOWN OF SOUTHWEST RANCHES, FLORIDA
 SW 205TH AVENUE AND SW 49TH COURT DRAINAGE PROJECT
 IFB NO. 24-003

2.31	SUPPLEMENTAL WAGE REQUIREMENTS	16
2.32	DOMESTIC PARTNERSHIP REQUIREMENT.....	17
2.33	DISCLOSURE OF OWNERSHIP INTEREST.....	17
2.34	CONFLICT OF INTEREST.....	17
2.35	PUBLIC ENTITY CRIMES/DENIAL OR REVOCATION OF THE RIGHT TO TRANSACTION BUSINESS WITH PUBLIC ENTITIES.....	18
2.36	PROGRESS PAYMENTS	18
2.37	PROJECT RECORDS AND RIGHT TO AUDIT	19
2.39	PROHIBITION RELATED TO INDIVIDUALS IN THIS STATE WHO MAY BE UNAUTHORIZED ALIENS	21
SECTION 3	BID REQUIREMENTS	21
3.1	BID FORMAT AND CONTENT.....	21
3.2	BID SCHEDULE	22
SECTION 4	SPECIAL PROVISIONS	23
4.1	REGULATED SUBSTANCE USE REQUIREMENTS.....	23
4.2	UNIT PRICES	23
4.3	UTILITIES CONTACTS	23
4.4	LOCATION AND DAMAGE TO EXISTING FACILITIES, EQUIPMENT, OR UTILITIES	24
4.5	PROSECUTION OF THE WORK.....	25
4.6	MAINTENANCE OF TRAFFIC (MOT).....	25
4.7	STORM PREPARATION.....	25
4.8	LABORATORY AND DENSITY TESTS.....	26
4.9	COMPLAINTS	26
SECTION 5	GENERAL PROVISIONS.....	26
5.1	DEFINITIONS	26
5.2	EXISTING IMPROVEMENTS AND LANDSCAPING.....	28
5.3	CONTRACTOR’S PRECONSTRUCTION RESPONSIBILITIES.....	29
5.4	SURVEYS, LINES AND GRADES	30
5.5	INSPECTIONS	31
5.6	SHOP DRAWINGS	31
5.7	PROJECT SITE.....	31
5.8	POLLUTION CONTROL.....	32
5.9	DISPOSAL OF WASTE MATERIALS AND DEBRIS	33
5.10	SAFETY – LOSS CONTROL PROVISIONS.....	33
5.11	PROJECT RECORD DRAWINGS.....	34
5.12	TESTING	34
5.13	FINAL COMPLETION.....	35
5.14	CONTRACT DOCUMENTS.....	35
5.15	SCOPE OF WORK.....	35
5.16	CHANGES IN THE WORK	36
5.17	CHANGE IN THE CONTRACT PRICE OR CONTRACT TIME	36
5.18	EXCUSABLE DELAY; COMPENSABLE; NON-COMPENSABLE.....	41
5.19	WARRANTY AND GUARANTEE; CORRECTION, REMOVAL OR ACCEPTANCE OF DEFECTIVE WORK	42
5.20	SUSPENSION OF WORK AND TERMINATION.....	43
5.21	PAYMENT.....	44
5.22	ACCEPTANCE AND FINAL PAYMENT.....	45
5.23	PURCHASING CARD (PCARD) ACCEPTANCE.....	46

TOWN OF SOUTHWEST RANCHES, FLORIDA
SW 205TH AVENUE AND SW 49TH COURT DRAINAGE PROJECT
IFB NO. 24-003

5.24	PHYSICAL CONDITIONS	46
5.25	CONTRACTOR’S RESPONSIBILITIES.....	47
5.26	INSURANCE AND BONDS	49
5.27	EQUIPMENT.....	49
5.28	EQUIPMENT STORAGE AND MOBILIZATION	50
5.29	HOURS OF OPERATION	50
5.30	CONTRACTOR’S PERFORMANCE	50
APPENDICES A-Y.....		51
EXHIBIT A – AGREEMENT.....		81
EXHIBIT B – MINIMUM INSURANCE REQUIREMENTS.....		108
EXHIBIT C – DRAWINGS.....		109

TOWN OF SOUTHWEST RANCHES, FLORIDA
SW 205TH AVENUE AND SW 49TH COURT DRAINAGE PROJECT
IFB NO. 24-003

SECTION 1 GENERAL INFORMATION

1.1 ISSUING OFFICE

This Invitation for Bids (“IFB”) is issued by the Town of Southwest Ranches, a political subdivision of the State of Florida (“Town”), by and through its Procurement Division (“Division”). The Division is the SOLE point of contact concerning this IFB. All communications regarding this IFB must be done through the Division (See Section 1.7).

1.2 PURPOSE OF THE PROJECT

The Division is soliciting proposals from qualified and experienced firms for all labor, materials, tools, equipment, machinery, expertise, services, and all else necessary and reasonably inferable from the Contract Documents for proper construction and completion of a small drainage project located at SW 205th Avenue and SW 49th Court. The scope of work includes swale regrading and restoration, installation of catch basins and associated drainage pipes, coring into the existing system, and driveways (asphalt) to restoration.

The Substantial Completion of the Project shall occur no later than **ninety (90) calendar days** from date of issuance of the Notice to Proceed, and Final Completion shall occur no later than **one hundred twenty (120) calendar days** from date of issuance of the Notice to Proceed.

1.3 NON-MANDATORY PRE-BID CONFERENCE

The Non-Mandatory Pre-bid Conference will be held via Microsoft Teams Meeting, the link is accessible on the Town website, and the <http://www.demandstar.com> E-Bidding Platform on **Wednesday, August 7, 2024, at 11:00 a.m. EST.**

The public may view bid meetings in person in the Grand Oak Conference room in Town Hall located at 13400 Griffin Road, Southwest Ranches, FL 33330.

There will be a Town representative available to answer questions relative to this IFB; however, bidders should not rely on any oral representations, statements, or explanations other than those made by this IFB or a formal Amendment to the IFB. Any questions or comments arising subsequent to the Pre-bid Conference must be presented, in writing, to the Contact Person (See Section 1.7) prior to the date and time stated in the Timetable (See Section 1.5).

In accordance with the provisions of ADA, auxiliary aids or services will be provided upon request with at least five (5) days’ notice.

1.4 QUALIFICATIONS OF BIDDERS

All bidders to this IFB shall have demonstrated experience in swale regrading and restoration, installation of catch basins and associated drainage pipes, coring into the existing system, and driveways (asphalt) to restoration.

TOWN OF SOUTHWEST RANCHES, FLORIDA
 SW 205TH AVENUE AND SW 49TH COURT DRAINAGE PROJECT
 IFB NO. 24-003

1.5 TIMETABLE

The anticipated schedule and deadline for this IFB is as follows:

Activity	Date, Time and Location
IFB available for download on website	On or about: Monday, July 29, 2024 , at: http://southwestranches.org/procurement or http://www.demandstar.com
Non-Mandatory Pre-Bid Conference	11:00 a.m. EST, August 7, 2024 , via Microsoft Teams Meeting, the link is accessible on the Town website calendar and the http://www.demandstar.com E-Bidding Platform
Deadline for Submission of Written Comments/Questions	11:00 a.m. EST, Tuesday, August 13, 2024 , at the Office of the Procurement Officer, via e-mail to csemeraro@southwestranches.org
Response to Written Comments/Questions	Wednesday, August 14, 2024
Deadline for Submission of Bids	11:00 a.m. EST, Wednesday, August 21, 2024 , via http://www.demandstar.com E-bidding
Public Opening	11:00 a.m. EST, Wednesday, August 21, 2024 , via Microsoft Teams Meeting, the link is accessible on the Town website calendar and the http://www.demandstar.com E-Bidding Platform
Award Date	To be Determined

1.6 BID SUBMISSION

It is anticipated that bids will be opened at 11:00 a.m., via Microsoft Teams Meeting, the link is accessible on the Town website calendar and the <http://www.demandstar.com> E-Bidding Platform on **Wednesday, August 21, 2024**. The public may view bid meetings in person in the Grand Oak Conference Room located at 13400 Griffin Road, southwest ranches, FL 33330.

All bids **MUST BE SUBMITTED ELECTRONICALLY** via DemandStar E-bidding no later than 11:00 a.m. EST on **Wednesday, August 21, 2024**.

The Bid Response Forms, included in the appendix, must be signed by an officer of the proposing entity or other authorized person.

The submission of a signed bid by a bidder will be considered by the Town as constituting a legal offer by the bidder to provide services required by this IFB at the proposed price identified therein.

No bids will be accepted after the deadline for submission of bids or at any location other than the location designated in this IFB.

TOWN OF SOUTHWEST RANCHES, FLORIDA
SW 205TH AVENUE AND SW 49TH COURT DRAINAGE PROJECT
IFB NO. 24-003

Facsimile or email submittals will NOT be accepted. Bids received after 11:00 a.m. EST on the above referenced date will not be accepted under any circumstances. Any uncertainty regarding the time a bid is delivered or received will be resolved against the Bidder.

1.7 CONTACT PERSON

The individual designated as the “Contact Person” for the IFB is:

Christina Semeraro, Procurement Officer
13400 Griffin Road
Southwest Ranches, FL 33330
Phone: 954 343-7467
Fax: 954 434 1490
Email: csemeraro@southwestranches.org

1.8 PROCUREMENT CODE

Article IX of the Town’s Code of Ordinances (ORD 22-005) establishes specific directions and guidelines for employees and agents of the Town to use in purchasing commodities and services. All requests for commodities and/or services, and all purchases shall be for a public purpose and in accordance with this code. This code provides the policies and procedures that frame the purchasing of contractual services and commodities starting with defining the procurement and proceeding through award of the contract or purchase order. The Town is committed to a system that provides quality, integrity, and competition in a professional manner. Generally, purchasing procedures provide a mechanism to allow commodities and services to be purchased at the lowest possible cost, and consistent with the quality needed to meet the requirements of the Town.

In addition to the procedures set forth in this code, the Town shall also adhere to the requirements of Florida Statutes, to the extent applicable to the Town.

1.9 CONE OF SILENCE

The Cone of Silence means a prohibition on any communication regarding this IFB between a potential vendor, service provider, proposer, bidder, lobbyist, or consultant and the Town Council members, Town’s professional staff including, but not limited to, the Town Administrator and his or her staff, or any member of the Town’s selection or evaluation committee. See Article IX, ORD 22-005 for additional information including permitted exceptions to the Cone of Silence.

The Cone of Silence shall be imposed at the time of the advertisement of this IFB and shall terminate at the beginning of the Town Council meeting at which the Town Administrator makes his or her written recommendation to the Town Council. However, if the Town Council refers the solicitation back to the administrator, staff or committee for further review, the Cone of Silence shall be re imposed until such time as the administrator makes a subsequent written recommendation and commencement of the Council meeting. The Cone of Silence shall also terminate in the event that the Town Administrator cancels the solicitation.

TOWN OF SOUTHWEST RANCHES, FLORIDA
SW 205TH AVENUE AND SW 49TH COURT DRAINAGE PROJECT
IFB NO. 24-003

Prior to an award, violation of this the Cone of Silence shall result in the disqualification of the bidder from further consideration. Discovery of a violation after an award by a particular bidder shall render any IFB award to said bidder voidable by the Town, and in the Town's sole discretion.

1.10 PUBLIC OPENING

A public opening of bids will take place on **Wednesday, August 21, 2024** at 11:00 a.m. EST via Microsoft Teams Meeting, the link is accessible on the Town website and the <http://www.demandstar.com> E-Bidding Platform

The public may view bid meetings in person in the Grand Oak conference Room located at 13400 Griffin Road, southwest ranches, FL 33330.

The identity of the Bidders shall be read aloud. However, no additional information set forth in the bid shall be made public until the time of a notice of an "Recommendation of Award" or 30 days from the Bid Opening, whichever is earlier, and in accordance with Florida Statutes, Chapter 119.

After opening of bids, the Town will look for any unbalanced bids to ensure that unit prices are within industry standards and that the Bidders are not charging excessive unit prices for those items the Town will utilize the most. The Town intends to award a Contract to the lowest, responsive, and responsible Bidder in accordance with the terms of this IFB, the terms of the attached Resolution 2022-005, and the Town's Procurement Code.

In the award of a Contract pursuant to this IFB, the services shall be provided on a "non-exclusive" basis, and the Town may utilize the services of other vendors as may be deemed necessary at the Town's discretion.

1.11 ADDITIONAL INFORMATION/AMENDMENT(S)

Any questions, comments (i.e., additional information or clarifications) must be made, in writing via e mail, or U.S. Mail no later than **11:00 am EST Tuesday, August 13, 2024**, to the address listed in this IFB Timetable (See Section 1.5) or e mail address listed for the Contact Person (See Section 1.7). The request must contain the bidder's name, address, phone number, and e mail address.

Changes to this IFB, when deemed necessary by the Town, will be completed only by written Amendment(s) issued prior to the deadline for submission of bids. Bidders should not rely on any representations, statements, or explanation other than those made by this IFB or in any Amendment to this IFB. Where there appears to be a conflict between this IFB and any Amendment issued, the last Amendment issued shall prevail.

Amendments to this IFB will be posted on Town of Southwest Ranches website which can be accessed at <http://southwestranches.org/procurement/> and <http://www.demandstar.com>

It is the sole responsibility of bidders to routinely check for any Amendments that may have been issued prior to the deadline for submission of bids. The Town shall not be responsible for the

TOWN OF SOUTHWEST RANCHES, FLORIDA
SW 205TH AVENUE AND SW 49TH COURT DRAINAGE PROJECT
IFB NO. 24-003

completeness of any IFB package not downloaded from this website or purchased directly from the Division. A bidder may verify with the designated Contact Person (See Section 1.7) that bidder has received all Amendments to this IFB prior to the submission of its bid.

1.12 DISCLAIMER

All documents and information, whether written, oral or otherwise, provided by the Town relating to this IFB are being provided solely as an accommodation and for informational purposes only, and the Town is not making any representations or warranties of any kind as to the truth, accuracy, or completeness of such documents or information, or as to the sources thereof. The Town shall have no liability whatsoever relating to such documents and information and all parties receiving the same shall not be entitled to rely on such documents and information but shall have a duty to independently verify the accuracy of the information contained therein. Failure on the part of any bidder to examine, inspect and be completely knowledgeable of the terms and conditions of the IFB, or any other relevant documents or matters, shall not relieve the selected bidder from fully complying with this IFB.

The Town reserves the right to reject all or any portions of any bid, to reject all bids, to waive any informality, non-material irregularity or technicality in any bid, to re advertise for bids, or take any other such actions that may be deemed to be in the best interest of the Town.

No guarantee or warranty is given or implied by the Town regarding the minimum or total amount of services that may be purchased from the contract or award. The quantities and frequencies provided herein are for bid purposes only and, will be used for tabulation and presentation of the Bid. The Town reserves the right to increase or decrease service quantities and frequencies, as deemed necessary to serve the best interests of the Town.

1.13 NOTICE TO PROCEED

It is recommended that Contractor attend a non-mandatory pre-bid conference (See Section 1.5).

Contractor shall be instructed to commence work by written instructions by the Town Administrator or his designee by issuance of a Notice to Proceed. The Notice(s) to Proceed will not be issued until contractor submits to the Town all required bonds, insurance certificates and/or other documents and after execution of the Contract by both parties. The receipt of all necessary building and regulatory permits by contractor, if any, is a condition precedent to the issuance of a Notice to Proceed. Contractor warrants to the Town that it shall expeditiously apply for all building permits and shall thereafter, diligently, and continuously perform such work to achieve Substantial Completion and Final Completion, within the times set forth in the Agreement (See Exhibit "A"). To the extent set forth in the Agreement, the Town may, in its sole discretion and at its option, elect to impose liquidated damages or actual damages, whichever is greater, for failure to complete the work within the timeframe required (See Exhibit "A").

Contractor shall furnish sufficient forces and equipment and shall work such hours, including overtime operations, as may be necessary to timely perform the work in accordance with the

TOWN OF SOUTHWEST RANCHES, FLORIDA
SW 205TH AVENUE AND SW 49TH COURT DRAINAGE PROJECT
IFB NO. 24-003

schedule included in the Agreement. If contractor falls behind the progress schedule, Contractor shall take such steps as may be necessary to improve its progress by increasing the number of shifts, overtime operations, and days of work as may be required, at no additional cost to the Town.

SECTION 2 TERMS AND CONDITIONS

2.1 ADHERENCE TO REQUIREMENTS

Bidders guarantee their commitment, compliance, and adherence to all requirements of this IFB by submission of their bids.

2.2 MODIFIED BIDS

Bidders may submit a modified bid to replace all or any portion of a previously submitted bid until the deadline for submission of bids specified in the IFB Timetable (See Section 1.5). The Town will only consider the latest bid submitted.

2.3 WITHDRAW OF BID

A bid may be withdrawn, only by written notification to the Town, prior to the opening of bids. (See Section 1.5). After the opening of bids, they shall be irrevocable for a period of one hundred twenty (120) days. Unless withdrawn, as provided in this subsection, a bid shall be irrevocable until the time that a Contract is awarded. Bidders who unilaterally withdraw a bid without permission of the Town before 90 days have elapsed from the date of the opening of bids may be debarred and are subject to forfeiture of the Bid Security.

2.4 LATE BID, LATE MODIFIED BID

Bids and/or modifications to bids received after the deadline for submission of bids specified in the IFB Timetable (See Section 1.5) shall not be considered.

2.5 IFB POSTPONEMENT/CANCELLATION

Notwithstanding any provision of this IFB to the contrary, the Town, in its sole and absolute discretion, shall have the right to reject any and all, or parts of any and all bids; commence a new solicitation process; postpone or cancel this IFB process; and/or waive any non-material irregularities in this IFB or the bids received as a result of this IFB. In addition, the Town of Southwest Ranches Council may reject any bid prior to award.

Failure on the part of the awarded Bidder to comply with the terms of this IFB, to execute and deliver any required Contract Documents, bonds, and insurance, will result in the cancellation or rescission of the award, and a forfeiture of the Bid security. In that event, the Town may proceed to award the contract to the next lowest, responsive, and responsible Bidder, or to re advertise the project, in its sole discretion when deemed to be in the best interests of the Town.

TOWN OF SOUTHWEST RANCHES, FLORIDA
SW 205TH AVENUE AND SW 49TH COURT DRAINAGE PROJECT
IFB NO. 24-003

2.6 COSTS INCURRED BY BIDDERS

All expenses incurred with the preparation and submission of bids to the Town, or any work performed in connection therewith, shall be borne by the bidder.

2.7 PROPRIETARY/CONFIDENTIAL INFORMATION

Bidders are hereby notified that all information submitted as part of, or in support of, bids will be available for public inspection after the opening of bids, in compliance with Chapters 119 and 286, Florida Statutes, popularly known as the “Public Records Law” and the “Government in the Sunshine Law” respectively.

2.8 RIGHT TO PROTEST

For purposes of this IFB, the term “Purchasing Code” shall mean Chapter 2, Article IX, of the Town of Southwest Ranches Code. ORD 22-005 is hereby incorporated into this IFB by reference (“Bid Protest”). By responding to this IFB, all bidders agree that the Bid Protest procedures set forth in the Code are applicable to this IFB and shall comply with said procedures.

Any bidder may protest any recommendations for award of the Contract in accordance with Protest Procedures by submitting a written protest to the Procurement Officer within five (5) business days after posting the Notice of Award Recommendation. Protests must be submitted in writing, addressed to the Procurement Officer at 13400 Griffin Road, Southwest Ranches, FL 33330 and delivered via hand delivery, or mail.

2.9 RULES; REGULATIONS; LICENSING REQUIREMENTS

The bidder shall comply with all laws, ordinances, and regulations applicable to the services contemplated herein, including, but not limited to, those applicable to conflict of interest and collusion. Bidders are presumed to be familiar with all federal, state, and local laws, ordinances, codes, and regulations that may in any way affect the services offered, including, but not limited to, Executive Order No. 11246 entitled “Equal Employment Opportunity” as amended by Executive Order No. 11375, and as supplemented by the Department of Labor Regulations (41 CFR, Part 60).

The Town, at its discretion, reserves the right to inspect any/all Bidder’s facilities to determine their capability of meeting the requirements for this IFB and the Contract to be awarded. Also, price, responsibility, and responsiveness of the Bidder, including the financial position, experience, staffing, equipment, materials, references of Contractor, and past history of service by Contractor to the Town and/or with other units of State, and/or Local governments in Florida, or comparable private entities, may be taken into consideration in the award of a Contract. If the project involves services or costs based upon a unit price or ongoing services, the Town reserves the right to reduce the level of service within its sole discretion.

TOWN OF SOUTHWEST RANCHES, FLORIDA
SW 205TH AVENUE AND SW 49TH COURT DRAINAGE PROJECT
IFB NO. 24-003

2.10 AWARD

The Town intends to award a contract to the lowest, responsive, and responsible Bidder whose bid meets the requirements of this IFB, the terms of the attached Resolution 2022-005, and in accordance with the Town's Procurement Code.

2.11 WRITTEN CONTRACT

The successful Bidder shall be required to enter into a written Contract with the Town, the Contract form shall be prepared by the Town, and shall incorporate the terms of this IFB, the accepted Bid, and include a termination for convenience clause and other terms which may be required by the Town or its Procurement Code, and acceptable to the Town Council. The Contract shall be substantially in the form attached to this IFB. No Work shall be performed or payment due unless a written Contract is fully executed and has been approved by the Town Council.

2.12 ASSIGNMENT

This IFB and any Contract awarded pursuant hereto shall be binding upon and shall inure to the benefit of the Town and to any and all of its successors and assigns, whether by merger, consolidation, and transfer of substantially all assets or any similar transaction. Notwithstanding the foregoing, the Contract is personal to the Contractor, and Contractor may not, either directly or indirectly, assign its rights or delegate its obligations to Town hereunder without first obtaining the Town's consent in writing. Any such attempted assignment or delegation shall be deemed of no legal force and effect whatsoever.

2.13 CANCELLATION

Failure on the part of the awarded Bidder to comply with the terms of this IFB, to execute and deliver any required Contract Documents, and insurance, will result in the cancellation or rescission of the award. In that event, the Town may proceed to award the Contract to the responsive and responsible Bidder with the next highest ranking by the selection committee, or to re advertise the IFB in its sole discretion whenever deemed in the best interests of the Town.

2.14 RELATION TO PARTIES

It is understood and agreed that nothing contained in this IFB or the Contract shall be deemed to create a partnership or joint venture with the Town. Contractor shall be in the relation of an independent contractor and is to have entire charge, control, and supervision of the Work to be performed hereunder.

2.15 COMPLIANCE WITH LAW

Contractor shall comply with all applicable laws, regulations and ordinances of any Federal, State, or Local Governmental authority having jurisdiction with respect to this IFB and any Contract awarded and shall obtain and maintain any and all material permits, licenses, approvals and consents necessary for the lawful conduct of the activities contemplated hereunder.

TOWN OF SOUTHWEST RANCHES, FLORIDA
SW 205TH AVENUE AND SW 49TH COURT DRAINAGE PROJECT
IFB NO. 24-003

2.16 WAIVER OF LIABILITY

The Town shall not in any way be answerable or accountable for any violations of applicable laws or for any injury, loss or damage arising from the negligence, acts, or omissions of Contractor or any one of its employees, subcontractors or agents, or anyone else for whose actions Contractor may be responsible.

2.17 INDEMNIFICATION

To the fullest extent permitted by Florida law, including Florida Statutes, Section 725.06, the Contractor hereby agrees to and shall indemnify, defend and hold harmless the Town, its officers and employees, from liabilities, damages, losses, costs, and expenses including, but not limited to, reasonable attorney fees (at both the trial and appellate levels), to the extent caused by the negligence, recklessness, or intentional wrongful misconduct of the Contractor and persons employed or utilized by the Contractor in the performance of the Contract or anyone else for whose actions Contractor may be responsible, regardless of the partial fault of any party indemnified hereunder.

2.18 SECONDARY/OTHER VENDORS

The Town reserves the right in the event the primary vendor cannot provide an item(s) or service(s) in a timely manner as requested, to seek other sources without violating the intent of this IFB or any Contract awarded.

2.19 DEFAULT PROVISION

In case of default by the Contractor, the Town may procure the articles or services from other sources and hold the Bidder or Contractor responsible for any excess costs occasioned or incurred thereby.

2.20 GOVERNING LAW

The validity of this IFB and any Contract awarded and the interpretation and performance of all of their respective terms shall be construed and enforced in accordance with the laws of the State of Florida, without regard to principles of conflict of laws thereof. The location of any action or proceeding commenced under, pursuant, or relating to this IFB or the Contract shall be in the State Courts of Florida located in Broward County, Florida.

2.21 DISPUTES

After an award of the Contract, disputes shall be resolved as set forth in the Contract form which is attached to this IFB. Any default under this IFB shall subject Bidder to liability for any and all damages to Town caused thereby. Bidder agrees to reimburse Town for all costs and expenses, including attorney's fees and costs, incurred by the Town by reason of such default whether or not suit is brought, and in any litigation commenced, at both the trial and appellate levels.

TOWN OF SOUTHWEST RANCHES, FLORIDA
SW 205TH AVENUE AND SW 49TH COURT DRAINAGE PROJECT
IFB NO. 24-003

2.22 REMEDIES FOR BREACH

Should the selected Contractor fail to perform after Contract execution, the Town shall notify Contractor in writing of such failure to perform, and Contractor shall have fourteen (14) days to cure such failure, or such time as set forth in the Contract. If Contractor fails to cure, then the Town shall have the right to immediately terminate the Contract for cause. In that event, the Town shall also be free to sue Contractor for damages, in addition to any other right or remedy that it may have under the Contract, at law or in equity. Nothing herein shall be construed as precluding the Town's right to terminate the Contract for convenience, as set forth in the Contract.

2.23 PUBLIC RECORDS LAW

The Town is subject to Chapter 119, Florida Statutes, "Public Records Law." No claim of confidentiality or proprietary information in all or any portion of a bid will be honored unless a specific exemption from the Public Law exists and is cited in the response. An incorrectly claimed exemption does not disqualify the firm, only the exemption claimed. Contractor acknowledges the public shall have access at all reasonable times, to all documents and information pertaining to Town's contracts, subject to the provisions of Chapter 119, Florida Statutes, and agrees to allow access by the Town and the public to all documents subject to disclosures under applicable law.

In accordance with Florida Statutes, 119.071(1)(b)(2) Sealed bids, proposals, or replies received by an agency pursuant to a competitive solicitation are exempt from public disclosure until such time as the agency provides notice of an intended decision or until 30 days after opening the bids, proposals, or final replies, whichever is earlier.

To the extent that Contractor has been provided access to or has received security sensitive information, as defined by Florida Statutes, Section 119.071 and/or has executed a Confidential Information Acknowledgement and Agreement as part of the IFB process, Contractor shall keep and maintain the security sensitive information as confidential and exempt from public disclosures as required by Florida Statutes.

Contractor agrees to keep and maintain public records required by the Town to perform the service in Contractor's possession or control in connection with Contractor's performance under this IFB and any Contract awarded, and upon the request from the Town's custodian of public records, to provide the Town with a copy of the requested records or allow the records to be inspected or copied within a reasonable amount of time at a cost that does not exceed the cost provided in Chapter 119 or as otherwise provided by law. Contractor shall ensure that public records that are exempt or confidential and exempt from public records disclosure requirements are not disclosed except as authorized by law for the duration of the contract term and following completion of the Contract if the Contractor does not transfer the records to the Town.

Upon completion of the Contract, Contractor agrees, at no cost to Town, to transfer to the Town all public records in the Contractor's possession or keep and maintain public records required by

TOWN OF SOUTHWEST RANCHES, FLORIDA
SW 205TH AVENUE AND SW 49TH COURT DRAINAGE PROJECT
IFB NO. 24-003

the Town to perform the service. If the Contractor transfers all public records to the Town upon completion of the Contract, the Contractor shall destroy any duplicate public records that are exempt or confidential and exempt from public records disclosure requirements. If the Contractor keeps and maintains public records upon completion of the Contract, the contractor shall meet all applicable requirements for retaining public records. All records stored electronically must be provided to the Town, upon request from the Town's custodian of public records, in a format that is compatible with the information technology system of the Town.

Contractor's failure or refusal to comply with the provisions of this section shall result in the immediate termination for cause of the Contract by Town.

IF THE CONTRACTOR HAS QUESTIONS REGARDING THE APPLICATION OF CHAPTER 119, FLORIDA STATUTES, TO THE CONTRACTOR'S DUTY TO PROVIDE PUBLIC RECORDS RELATING TO THIS CONTRACT, CONTACT THE CUSTODIAN OF PUBLIC RECORDS AT PHONE: (954) 434 0008; EMAIL: DRUESGA@SOUTHWESTRANCHES.ORG; DEBRA RUESGA, TOWN CLERK, TOWN OF SOUTHWEST RANCHES, 13400 GRIFFIN ROAD, SOUTHWEST RANCHES, FLORIDA, 33330.

Contractor shall comply with the requirements of 2 CFR §200.321 as applicable to this IFB. Contractor's failure or refusal to comply with the provisions of this section shall result in the immediate termination for cause of the Contract by Town.

2.24 CONTRACT PROVISIONS (EXHIBIT "A")

2.24.1 Agreement. The selected bidder will be required to execute a contract in a form and substance similar to the attached Example Agreement (Exhibit "A"), subject to negotiated exceptions.

2.24.2 Authorization to Sign. In addition to executing the Agreement, the selected bidder will be required to complete a corporate resolution or notarized statement, indicating that the person having executed the Agreement is authorized to legally bind the proposing entity. Additionally, if a selected bidder is a partnership, all general partners must sign the Agreement and the notarized statement. If the selected bidder is a joint venture, all members of the joint venture must sign the Agreement and the notarized statement.

2.25 LICENSING, PERMITS, INSPECTIONS AND LIABILITY INSURANCE

Where a Contractor is required to enter onto the Town of Southwest Ranches property to deliver materials or to perform work or services as a result of a Bid award, the Contractor will assume the full duty, obligation, and expense of obtaining all necessary licenses, permits, inspections, and insurance required. The Contractor shall be liable for any damages or loss to the Town occasioned by negligence or intentional acts or omissions of the Bidder, his agents, subcontractors, or any person the Bidder utilizes in the completion of his contract. Contractor shall be required to furnish a certified copy of all licenses, certificates of competency or other licensure requirements

TOWN OF SOUTHWEST RANCHES, FLORIDA
SW 205TH AVENUE AND SW 49TH COURT DRAINAGE PROJECT
IFB NO. 24-003

necessary to practice his profession as required by Florida Statutes, Florida Building Code, Broward County, or Town of Southwest Ranches Code. These documents shall be furnished to the Town along with the Bid response. Failure to furnish these documents or to have required licensure will be grounds for rejecting the Bid as non-responsive or otherwise.

The Bid shall include Certificate(s) of Insurance or written proof of the ability to provide the required insurance by an insurance company authorized to do business in the State of Florida or otherwise secured in a manner satisfactory to the Town in an amount equal to 100% of the requirements.

2.26 INSURANCE REQUIREMENTS

It shall be the responsibility of the selected bidder to provide certified copies of all insurance policies specified in the Agreement (Exhibit "A"). The selected bidder shall, on a primary basis and at its sole expense, maintain in full force and effect, at all times during the term of the Agreement, insurance coverages and limits, including endorsements, as described in the Agreement (See Exhibit "A"). Failure to maintain the required insurance shall be considered a material default of the Agreement. The requirements contained therein, as well as the Town's review or acceptance of insurance maintained by the selected bidder, are not intended to and shall not in any manner limit or qualify the liabilities and obligations assumed by the selected bidder under the Agreement.

2.27 ADDITIONAL INSURANCE REQUIREMENTS

All insurance policies shall name and endorse the following as additional named insureds:

TOWN OF SOUTHWEST RANCHES
Attn: Russell Muñiz, Town Administrator
13400 Griffin Road.
Southwest Ranches, FL 33330

The additional named insured endorsement shall be reflected on the Certificate of Insurance.

All insurance shall be issued by companies rated "A-" or better per A.M. Best's Key Rating Guide, latest edition and authorized to issue insurance in the State of Florida. It shall be the responsibility of the bidder and insurer to notify the Town Administrator of cancellation, lapse, or material modification of any insurance policies insuring the vendor, which relate to the activities of such vendor and the Town.

Such notification shall be in writing and shall be submitted to the Town Administrator within thirty (30) days prior to cancellation of such policies. This requirement shall be reflected on the Certificate of Insurance.

Bidders are required to submit a list of claims presently outstanding and claims within the past ten (10) years against their liability coverage. This information must be listed on the form provided

TOWN OF SOUTHWEST RANCHES, FLORIDA
SW 205TH AVENUE AND SW 49TH COURT DRAINAGE PROJECT
IFB NO. 24-003

below and signed by the agent of the insurance carrier. If no outstanding claims exist, a statement of this fact must be signed by the agent of the insurance carrier.

Failure to fully and satisfactorily comply with the Town's insurance requirements set forth herein will authorize the Town Administrator to implement a rescission or cancellation of the Contract award within thirty (30) days of awarding. The bidder hereby holds the Town harmless and agrees to indemnify Town and covenants not to file a bid protest or sue the Town by virtue of such cancellation or rescission.

2.28 SECURITY AND BONDING REQUIREMENTS

2.28.1 Bid Security. Simultaneous with the delivery of an executed Bid to the Town, Bidders shall furnish a Bid Security in an amount equal to five percent (5%) of the total gross amount of the bid. The Bid Security shall be issued in the form of a bond issued by a Surety authorized to transact business in the State of Florida, having an agent in the State of Florida, or in the form of an irrevocable letter of credit. Bonds shall be submitted on the forms provided herein by the Town. Failure to supply Bid Security with the Bid at the time of Bid opening shall automatically disqualify the Bidder as non-responsive. Original Bid bond in sealed clearly marked envelope must be delivered to the Contact Person (See Section 1.7) before Bid Opening timetable date (See Section 1.5).

2.28.2 Performance and Payment Bonds. Within ten (10) days after being notified of the award, Contractor shall furnish a Performance Bond and a Payment Bond containing all the provisions of the Performance Bond and Payment Bond. Each Bond shall be in the amount of one hundred percent (100%) of the Contract Price guaranteeing to Town the completion and performance of the Work covered in such Contract as well as full payment of all suppliers, laborers, and Subcontractors employed pursuant to this Project. Each Bond shall be with a surety company that is qualified pursuant to Section 2.28.5.

Simultaneous with the delivery of the executed contract form, the Contractor shall furnish to the Town executed Performance and Payment Bonds each in the amount equal to one hundred percent (100%) of the Contract value, as security for the faithful and timely performance of the Work under the Contract and for the payment of all persons furnishing labor, materials, services, and/or equipment in connection with the Work. The condition of this obligation is such that, if the Contractor shall promptly and faithfully perform said contract, make payments to all claimants (as defined by section 713.01, Florida Statutes) for all labor, materials, services, and equipment used directly or indirectly, or reasonably required for use, in the performance of the contract, and shall fully indemnify and save harmless the Town and its agents for all costs and damages it may suffer by reason of Contractor's failure to do so, then this obligation shall be null and void; otherwise it shall remain in full force and effect. Bonds shall be in a form acceptable to the Town and as prescribed by section 255.05, Florida Statutes.

2.28.3 Qualifications of Surety. Surety companies issuing Performance and Payment Bonds shall fulfill each of the following provisions, and the Bidder shall provide satisfactory

TOWN OF SOUTHWEST RANCHES, FLORIDA
 SW 205TH AVENUE AND SW 49TH COURT DRAINAGE PROJECT
 IFB NO. 24-003

evidence to document such fulfillment. For all Bid Bonds, Performance Bonds, and Payment Bonds over \$500,000.00:

- a. Each bond must be executed by a surety company of recognized standing, authorized to do business in the State of Florida as surety, having a resident agent in the State of Florida, and having been in business with a record of successful continuous operation for at least five (5) years.
- b. The surety company shall hold a current Certificate of Authority as acceptable surety on federal bonds in accordance with United States Department of Treasury Circular 570, Current Revisions. If the amount of the Bond exceeds the underwriting limitation set forth in the circular, in order to qualify as a proper surety herein, the net retention of the surety company shall not exceed the underwriting limitation in the circular, and the excess risks must be protected by coinsurance, reinsurance, or other methods in accordance with Treasury Circular 297, Revised (31 C.F.R. §§ 223.10, 223.11). Further, the surety company shall provide the Town with evidence satisfactory to the Town that such excess risk has been protected in an acceptable manner.
- c. A surety company that is rejected by Town may be substituted by the Bidder or proposer with a surety company acceptable to Town, but only if the bid amount does not increase.
- d. All bonds shall be written through surety insurers authorized to do business in the State of Florida as surety, with the following qualifications as to management and financial strength according to the latest (1986 or later)

Amount of Bond	Policy Holder's Ratings
500,001 to 1,500,000	A- III
1,500,001 to 2,500,000	A, VI
2,500,001 to 5,000,000	A VII
5,000,001 to 10,000,000	A VIII
Over 10,000,001	A IX

edition of Best's Insurance Guide, published by A.M. Best Company, Oldwick, New Jersey:

- e. For projects that do not exceed \$500,000.00, Town may accept a Bid Bond, Performance Bond, and Payment Bond from a surety company that has twice the minimum surplus and capital required by the Florida Office of Insurance Regulation at the time the solicitation is issued, if the surety company is otherwise in compliance with the provisions of the Florida Insurance Code, and if the surety company holds a currently valid

TOWN OF SOUTHWEST RANCHES, FLORIDA
SW 205TH AVENUE AND SW 49TH COURT DRAINAGE PROJECT
IFB NO. 24-003

Certificate of Authority issued by the United States Department of the Treasury under Sections 9304 to 9308 of Title 31 of the United States Code. The Certificate and Affidavit so certifying should be submitted with the Bid Bond, Performance Bond, and Payment Bond.

- f. More stringent requirements of any grantor agency may be set forth within the Supplemental Conditions. If there are no more stringent requirements, the provisions of this article shall apply.

2.28.4 Duration of Bonds. The Performance Bond shall guarantee all work and materials furnished under the Contract including losses resulting from defects in the materials or improper performance of Work under the Contract that may appear or be discovered during performance of the Work or during any applicable warranty period after completion of all Work, and for latent defects, during the time periods set forth in section 95.11(3)(c), Florida Statutes. The Payment Bond shall stay in effect until the time required by section 255.05, Florida Statutes, for the making of claims under such Bond, or when all claimants submitting valid claims have been paid, whichever is later.

Each Bond shall continue in effect for one (1) year after Final Completion and acceptance of the Work with liability equal to one hundred percent (100%) of the Contract Price, or an additional bond provided to ensure that Contractor will, upon notification by Town, correct any defective or faulty work or materials that appear within one (1) year after Final Completion of this Contract.

2.28.5 Non-compliance. An awarded Bidder's failure to timely deliver an executed Contract, and any Performance Bond, Payment Bond, and Insurance Certificates required by the terms of this Invitation for Bids, all in forms acceptable to the Town, shall result in the cancellation of any Contract and the Bidder's forfeiture of any and all bid securities.

2.28.6 Record Bonds. Pursuant to the requirements of Section 255.05, Florida Statutes, Contractor shall ensure that the bond(s) referenced above shall be recorded in the Official Records of Broward County and provide the Town with evidence of such recording.

2.28.7 Alternate Forms of Security. In lieu of a Performance Bond and a Payment Bond, Contractor may furnish alternate forms of security in the form of cash, money order, certified check, cashier's check, or unconditional letter of credit. Such alternate forms of security shall be subject to the approval of Town and for same purpose; and shall be subject to the same conditions as those applicable above and shall be held by the Town for one (1) year after completion and acceptance of the Work.

2.29 COMMENCEMENT OF WORK

The Town shall have no obligations whatsoever to any bidder by virtue of this IFB or any negotiations conducted hereunder. The Town's obligations shall not commence until an Agreement is approved and executed by the Town Council. The Town will not be responsible for

TOWN OF SOUTHWEST RANCHES, FLORIDA
SW 205TH AVENUE AND SW 49TH COURT DRAINAGE PROJECT
IFB NO. 24-003

any work conducted by a bidder, even if performed in good faith, if such work occurs prior to the approval and execution of the Agreement by the Town Council.

2.30 NON-DISCRIMINATION & EQUAL EMPLOYMENT OPPORTUNITY

2.30.1 No party to this Contract may discriminate on the basis of race, color, sex, religion, national origin, disability, age, marital status, political affiliation, sexual orientation, pregnancy, or gender identity and expression in the performance of this Contract, except that any project assisted by the U.S. Department of Transportation funds shall comply with the nondiscrimination requirements in 49 C.F.R. Parts 23 and 26. Contractor shall include the foregoing or similar language in its contracts with any Subcontractors.

2.31 SUPPLEMENTAL WAGE REQUIREMENTS

2.31.1 The rate of wages and fringe benefit payments for all laborers, mechanics, and apprentices shall not be less than those payments for similar skills in classifications of work in a like construction industry as determined by the Secretary of Labor and as the most recently published in the Federal Register.

2.31.2 All mechanics, laborers, and apprentices employed or working on the site of the Work shall be paid in accordance with the above referenced wage rates. Contractor shall post this section of the Contract (Supplemental Wage Requirements) at the site of the Work in a prominent place where it can be easily seen by the workers.

2.31.3 If the Parties cannot agree on the proper classification of a particular class of laborers or mechanics or apprentices that will be used on the Work site, the Contract Administrator shall submit the question, together with its recommendation, to the Town Administrator for final determination, which shall be binding.

2.31.4 In the event the Contract Administrator determines that any laborer or mechanic or apprentice employed by Contractor or any Subcontractor on the site of the Work has been or is being paid wages less than the rate of wages required by the Prevailing Wage Ordinance, Section 26-5 of the Broward County of Ordinances, as amended, the Contract Administrator may (1) by written notice to Contractor direct Contractor to terminate the Work or such part of Work for which there has been a failure to pay said required wages; and (2) contract with another party perform the Work or portion thereof to completion. Whereupon Contractor and its Sureties shall be liable to Town for any all costs incurred by Town to complete such Work to the extent such costs exceed any amounts that Contractor would be due for performance of such Work.

2.31.5 Contractor shall maintain payrolls and basic records relating thereto during the course of the Work and shall preserve such for a period of three (3) years thereafter for all laborers, mechanics, and apprentices working at the site of the Work. Such records shall contain the name and address of each such employee; the employee's current classification; rate of pay (including rates of contributions for, or costs assumed to provide, fringe benefits); daily and weekly number of hours worked; deductions made; and actual wages paid.

TOWN OF SOUTHWEST RANCHES, FLORIDA
SW 205TH AVENUE AND SW 49TH COURT DRAINAGE PROJECT
IFB NO. 24-003

2.31.6 Contractor shall submit, with each application for payment, a signed and sworn “Statement of Compliance” (007500-8) attesting to compliance with the Prevailing Wage Ordinance, Section 26-5 of the Broward County of Ordinances, as amended.

2.31.7 The Contract Administrator may withhold or cause to be withheld from Contractor so much of the payments requisitioned as may be considered necessary to pay laborers and mechanics, including apprentices, trainees, and guards employed by Contractor or any Subcontractor on the work, the full amount of wages required by this Contract.

2.31.8 If Contractor or any Subcontractor fails to pay any laborer, mechanic, or apprentice employed or working on the site of the Work all or part of the wages required by this Contract, the Contract Administrator may, after written notice to Contractor, take such action as may be necessary to cause suspension of any further payments or advances until such violations have ceased.

2.32 DOMESTIC PARTNERSHIP REQUIREMENT

Unless this Contract is exempt under Section 16½-157(c), Broward County Code of Ordinances, Contractor certifies and represents that it will comply with the provisions of Section 16½-157, Broward County Code of Ordinances, for the duration of this Contract, and the contract language referenced in Section 16½-157 is deemed incorporated in this Contract as though fully set forth in this section. The failure of Contractor to comply shall be a material breach of this Contract, entitling Town to pursue any and all remedies provided under applicable law including, but not limited to (1) retaining all monies due or to become due Contractor until Contractor complies; (2) termination of this Contract; and (3) suspension or debarment of Contractor from doing business with Town.

2.33 DISCLOSURE OF OWNERSHIP INTEREST

The Disclosure of Ownership Interest Affidavit (“DOIA”) must be completed on behalf of any individual or business entity that seeks to do business with the Town when applicable. Disclosure does not apply to nonprofit corporations, government agencies, or to an individual’s or entity’s interest in any entity registered with the Federal Securities Exchange Commission or registered pursuant to Chapter 517, Florida Statutes, whose interest is for sale to the general public.

Upon request from the Division, the selected bidder shall submit a completed DOIA within a reasonable time, as requested. If the selected bidder fails to submit a completed DOIA in a timely manner, the Town, at its sole discretion, may elect to cancel the recommended award.

2.34 CONFLICT OF INTEREST

The award of any Contract hereunder is subject to the provisions of Chapter 112, Florida Statutes. Contractors must disclose with their bids, the name of any officer, director, partner, associate, agent, advisory board member or client/customer who is also an officer, former officer, or employee of the Town of Southwest Ranches or its agencies.

TOWN OF SOUTHWEST RANCHES, FLORIDA
SW 205TH AVENUE AND SW 49TH COURT DRAINAGE PROJECT
IFB NO. 24-003

2.35 PUBLIC ENTITY CRIMES/DENIAL OR REVOCATION OF THE RIGHT TO TRANSACT BUSINESS WITH PUBLIC ENTITIES

Pursuant to the provisions of 287.133(2)(a), Florida Statutes:

A person or affiliate who has been placed on the convicted vendor list following a conviction for a public entity crime may not submit a bid, proposal, or reply on a contract to provide any goods or services to a public entity; may not submit a bid, proposal, or reply on a contract with a public entity for the construction or repair of a public building or public work; may not submit bids, proposals, or replies on leases of real property to a public entity; may not be awarded or perform work as a contractor, supplier, subcontractor, or consultant under a contract with any public entity; and may not transact business with any public entity in excess of the threshold amount provided in s. 287.017 for Category Two for a period of 36 months following the date of being placed on the convicted vendor list.

Bidder shall complete the attached Sworn Statement on Public entity Crimes and submit it with its bid.

2.36 PROGRESS PAYMENTS

Contractor may make an application for payment (“Application for Payment”), at intervals of not more than once a month, for Work completed during the Project. Contractor shall submit with each Application for Payment: an updated progress schedule acceptable to Contract Administrator as required by the Contract Documents; a Certification of Payments to Subcontractors Form (Form 9); and a release of claims relative to the Work that was the subject of previous applications or consent of surety relative to the Work that is the subject of the Application for Payment. If Contractor has not made payment to a Subcontractor, the Certification of Payments to Subcontractors Form shall be accompanied by a copy of the notification sent to each Subcontractor (listed in Item 2 of the Form) to whom payment has not been made, explaining the good cause why payment was not made. When applicable, an Application for Payment shall be accompanied by a completed Statement of Wage Compliance Form (Form 8A or 8B). Each Application for Payment shall be submitted to Contract Administrator for approval as follows:

Rod Ley, Public Works Director/Town Engineer
13400 Griffin Rd, Southwest Ranches, FL 33330

All Applications for Payment shall be stamped as received on the date on which they are delivered in the manner specified above. Payments of Applications for Payment shall be subject to approval as specified herein before, and if approved shall be due twenty-five (25) business days after the date on which the Application for Payment is stamped received. At the end of the twenty-five (25) business days, Contractor may send the Contract Administrator an overdue notice. If the Application for Payment is not rejected within four (4) business days after delivery of the overdue notice, the Application for Payment shall be deemed accepted, except for any portion of the Application for Payment that the Town determines to be fraudulent or misleading. If the Application for Payment does not meet the requirements of this Contract, the Town shall reject the Application for Payment within twenty (20) business days after the date stamped received and said

TOWN OF SOUTHWEST RANCHES, FLORIDA
SW 205TH AVENUE AND SW 49TH COURT DRAINAGE PROJECT
IFB NO. 24-003

rejection shall specify the deficiency and the action necessary to cure that deficiency. If Contractor submits a request that corrects the deficiency, the corrected Application for Payment must be paid or rejected within ten business days after the corrected Application for Payment is stamped as received. Any dispute between Town and Contractor shall be resolved pursuant to the dispute resolution procedure set forth in Article 12 of the General Conditions.

Town may withhold retainage on each progress payment as set forth in Section 255.078, Florida Statutes, as may be amended during this Contract. Any reduction in retainage below the maximum amount set forth in Section 255.078, Florida Statutes, shall be at the sole discretion of the Contract Administrator. Any interest earned on retainage shall accrue to the benefit of Town.

Town may withhold, in whole or in part, payment with respect to any Application for Payment to such extent as may be necessary to protect itself from loss on account of:

- A. Defective work not remedied.
- B. Claims filed or reasonable evidence indicating probable filing of claims by other parties against Contractor or the Town relating to Contractor's performance.
- C. Failure of Contractor to make payments properly to Subcontractors or for material or labor.
- D. Damage to another contractor not remedied.
- E. Liquidated damages and costs incurred by Contract Administrator for extended construction administration.
- F. Failure of Contractor to provide documents required by the Contract Documents.

When the above grounds are removed or resolved to the satisfaction of the Contract Administrator, any withheld payment shall be made to the extent otherwise due.

2.37 PROJECT RECORDS AND RIGHT TO AUDIT

Town shall have the right to audit the books, records and accounts of Contractor that are related to this Agreement. Contractor shall keep such books, records, and accounts as may be necessary in order to record complete and correct entries related to this Agreement.

Contractor shall preserve and make available, at reasonable times for examination and audit by Town, all financial records, supporting documents, statistical records, and any other documents pertinent to this Agreement for the required retention period of the Florida Public Records Act (Chapter 119, Florida Statutes), if applicable, or, if the Florida Public Records Act is not applicable, for a minimum period of five (5) years after expiration or earlier termination of this Agreement, unless Contractor is notified in writing by Town of the need to extend the retention period. Such retention of such records and documents shall be at Contractor's sole expense. If any audit has been initiated and audit findings have not been resolved at the end of the retention

TOWN OF SOUTHWEST RANCHES, FLORIDA
SW 205TH AVENUE AND SW 49TH COURT DRAINAGE PROJECT
IFB NO. 24-003

period or five (5) years, whichever is longer, the books, records, and accounts shall be retained until resolution of the audit findings. If the Florida Public Records Act is determined by Town to be applicable to Contractor's records, Contractor shall comply with all requirements thereof.

Town and Broward County shall have the right to audit, review, examine, inspect, analyze, and make copies of all Contract Records at a location within Broward County. The Town and Broward County may conduct such audit or review at Contractor's place of business, if deemed appropriate by Town or Broward County, with seventy-two (72) hours' advance notice. Contractor agrees to provide adequate and appropriate workspace for such review. Contractor shall provide the Town and Broward County with reasonable access to Contractor's facilities, and the Town and Broward County shall be allowed to interview all current or former employees to discuss matters pertinent to the performance of this Contract.

However, no confidentiality or non-disclosure requirement of either federal or state law shall be violated by Contractor. Any incomplete or incorrect entry in such books, records, and accounts shall be a basis for Town's disallowance and recovery of any payment upon such entry. In addition, Contractor shall respond to the reasonable inquiries of successor Contractors and allow successor Contractors to receive working papers relating to matters of continuing significance. In addition, Contractor shall provide a complete copy of all working papers to the Town, prior to final payment by the Town under this Agreement.

Contract Records include any and all information, materials and data of every kind and character, including without limitation, records, books, papers, documents, subscriptions, recordings, agreements, purchase orders, leases, contracts, commitments, arrangements, notes, daily diaries, drawings, receipts, vouchers and memoranda, and any and all other documents that pertain to rights, duties, obligations, or performance under this Contract. Contract Records include hard copy and electronic records, written policies and procedures, time sheets, payroll records and registers, cancelled payroll checks, estimating work sheets, correspondence, invoices and related payment documentation, general ledgers, insurance rebates and dividends, and any other records pertaining to rights, duties, obligations or performance under this Contract, whether by Contractor or Subconsultants, or otherwise necessary to adequately permit evaluation and verification of any or all of the following:

- a) Compliance with Contract
- b) Compliance with the Town's code of ethics
- c) Compliance with Contract provisions regarding the pricing of Change Orders
- d) Accuracy of Contractor representations regarding the pricing of invoices
- e) Accuracy of Contractor representations related to claims submitted by Contractor including Subcontractors, or any of its other payees.

TOWN OF SOUTHWEST RANCHES, FLORIDA
SW 205TH AVENUE AND SW 49TH COURT DRAINAGE PROJECT
IFB NO. 24-003

If an audit inspection or examination in accordance with this article discloses overpricing or overcharges to Town of any nature by Contractor or its Subcontractors in excess of five percent (5%) of the total contract billings reviewed, the reasonable actual cost of the audit conducted by Town, shall be reimbursed by Contractor to Town, along with any required adjustments for the overpricing or overcharges. Any adjustments or payments due as a result of any such audit or inspection shall be made within a reasonable amount of time (not to exceed thirty (30) days) from presentation of the audit findings to Contractor.

2.38 PROHIBITION AGAINST CONSIDERING SOCIAL, POLITICAL, OR IDEOLOGICAL INTERESTS IN GOVERNMENT CONTRACTING

Pursuant to the provisions of 287.05701, Florida Statutes, the Town does not request or consider a Contractor's social, political, or ideological interests in making a responsibility determination.

2.39 PROHIBITION RELATED TO INDIVIDUALS IN THIS STATE WHO MAY BE UNAUTHORIZED ALIENS

Pursuant to the provisions of Chapter 2023-40, Laws of Florida, the Contractor shall attest that they are in compliance with Chapter 2023-40's requirements for E-Verify, reporting requirements and employing unauthorized aliens.

2.40 SCRUTINIZED COMPANIES

Pursuant to Florida Statute § 287.135: Contractor must certify that the company is not participating in a boycott of Israel. Contractor must also certify that Contractor is not on the Scrutinized Companies that Boycott Israel list, not on the Scrutinized Companies with Activities in Sudan List, and not on the Scrutinized Companies with Activities in the Iran Petroleum Energy Sector List, or been engaged in business operations in Cuba or Syria. Contractor must submit the certification that is attached to this agreement. Submitting a false certification shall be deemed a material breach of contract. The Town shall provide notice, in writing, to the Contractor of the Town's determination concerning the false certification. The Contractor shall have ninety (90) days following receipt of the notice to respond in writing and demonstrate that the determination of false certification was made in error. If the Contractor does not demonstrate that the Town's determination of false certification was made in error then the Town shall have the right to terminate the contract and seek civil remedies pursuant to Florida Statute § 287.135.

SECTION 3 BID REQUIREMENTS

3.1 BID FORMAT AND CONTENT

3.1.1 Format. The electronic copy of the bid must be submitted via the <http://www.demandstar.com> E-bidding platform. Bids should include only brief and concise

TOWN OF SOUTHWEST RANCHES, FLORIDA
SW 205TH AVENUE AND SW 49TH COURT DRAINAGE PROJECT
IFB NO. 24-003

narrative. The enclosure of elaborate or unnecessary verbiage or promotional material is discouraged.

3.1.2 Technical Bid. Bids must contain all of the documents included in the appendices, each fully completed, signed and notarized, as required. Failure of a bidder to provide the required information is considered sufficient cause to deem the bid non-responsive.

Bidders must use the Bid form(s) furnished by the Town and included in the appendix of the IFB. Failure to do so may cause the Bid to be rejected. Removal or replacement of any of the Bid documents may invalidate the Bid.

All items should be submitted as a part of the bid prior to the deadline for submission of bids (See Section 1.5); however, if the item(s) marked by an asterisk (*) are omitted, the bidder must submit such item(s) upon request from the Division within a time frame specified by the Division (normally within two (2) business days of request) or the bid shall be deemed non-responsive. All other items must be submitted with the bid, or it shall be deemed non-responsive.

The Division reserves the right to request additional information to be used for evaluating responses received from any or all bidders, including, but not limited to, additional references or financial information. Further, the Division retains the right to disqualify from further consideration any bidder who fails to demonstrate sufficient ability to perform under the Agreement.

Notwithstanding these submittal requirements, the Division reserves the right, at its sole discretion, to waive any minor irregularity relating to the bid. Upon request, it shall be the responsibility of the bidder to address the determined minor irregularity within a time frame specified by the Division (normally within two (2) business days of request). Failure of a bidder to provide the required information within the specified time frame is considered sufficient cause to deem the bid non-responsive.

3.2 BID SCHEDULE

Each bidder shall submit a completed Bid Schedule, included as Appendix "B". Pricing in the Bid Schedule shall include all labor, equipment, and materials necessary to complete the work in accordance with the contract documents, schedules and plans, all addenda, if issued.

Bidder warrants that the prices, terms, and conditions quoted in the Bid Schedule will be firm for a period of one hundred twenty (120) days from the date of the bid opening. If there is a discrepancy in the unit and extended prices, the calculated total price based on unit prices shall prevail. Bidders are responsible for checking their calculations. Failure to do so will be at the Bidder's risk, and errors will not release the Bidder from performance of the Contract at the Bid price.

SECTION 4 SPECIAL PROVISIONS

4.1 REGULATED SUBSTANCE USE REQUIREMENTS

“Best Management Practices” for the Construction Industry

The Contractor shall be responsible for assuring that each contractor or subcontractor evaluates each site before construction is initiated to determine if any site conditions may pose particular problems for the handling of any Regulated Substances. For instance, handling Regulated Substances in the proximity of water bodies or wetlands may be improper.

If any regulated substances are stored on the construction site during the construction process, they shall be stored in a location and manner which will minimize any possible risk of release to the environment. Any Regulated Substances shall have constructed below it an impervious containment system constructed of materials of sufficient thickness, density and composition that will prevent the discharge to the land, ground waters, or surface waters, or any pollutant which may emanate from said storage container or containers. Each containment system shall be able to contain 150% of the contents of all storage containers above the containment system.

Each contractor shall familiarize themselves with the manufacturer’s safety data sheet supplied with each material containing a Regulated Substance and shall be familiar with procedures required to contain and clean up any releases of the Regulated Substance. Any tools or equipment necessary to accomplish same shall be available in case of a release.

Upon completion of construction, all unused and waste Regulated Substance and containment systems shall be removed from the construction site by the responsible contractor and shall be disposed of in a proper manner as prescribed by law.

4.2 UNIT PRICES

The Contractor is advised that the contract is a unit price contract. As such, the intent of the contract is to include all labor, materials, transportation, equipment, fuel, and all other items necessary to complete the item of work, in the unit price for the item. All items incidental to or necessary for the completion of the bid item shall be included in the unit price for the item.

The lump sum price shall not include the cost for any permit fees except the cost of a permit fee for a dewatering permit, if applicable. If any other permit fees are required for any work, the Owner will pay the actual cost of said permit directly or as an extra to the Agreement. The Contractor shall be responsible to pay any dewatering permit fees under the lump sum contract price.

4.3 UTILITIES CONTACTS

Potential utility conflicts may vary with each work site. Prior to commencing work, the Contractor shall visit the work site and ascertain all site conditions, including utilities. It shall be the Contractor’s responsibility to avoid conflicts with existing underground and overhead utilities and structures.

TOWN OF SOUTHWEST RANCHES, FLORIDA
SW 205TH AVENUE AND SW 49TH COURT DRAINAGE PROJECT
IFB NO. 24-003

The Contractor shall notify all utilities servicing the work area at least 48-hours prior to any excavation so that underground utilities may be located. The Contractor has the responsibility to contact **Sunshine State One-Call of Florida, Inc. at 1-800-432-4770** to schedule marking locations of the utilities which subscribe to their service.

The Contractor shall properly maintain and protect all utilities. The Contractor shall be responsible for the cost to repair all damages to utilities caused by his operations.

Finally, the Contractor shall fully cooperate at all times with the Owners of Utility Companies in order to maintain the operation of the existing utilities with the least amount of interference and interruption possible.

When utility installation/adjustments are included as part of the bid proposal, all utility companies reserve the right to accept or reject bid items on their part of work and perform their work by their forces or other contracted forces.

4.4 LOCATION AND DAMAGE TO EXISTING FACILITIES, EQUIPMENT, OR UTILITIES

Utility lines in the Project area have been shown on the Plans. However, the Town does not represent or warrant that all lines are shown, or that the ones indicated are in their true location. Contractor must identify and locate all underground and overhead utility lines or equipment affecting or affected by the Project. Contractor will not be entitled to any additional payment or extension of time due to discrepancies between actual location of utilities and Plan location of utilities.

Contractor shall notify each utility company with facilities in the Project site, at least thirty (30) days prior to the start of construction, to arrange for positive underground location, relocation, or support of its utility where that utility may be in conflict with or endangered by the Work. The cost of relocation of water mains or other utilities for the convenience of Contractor shall be paid by Contractor. All charges by utility companies for temporary support of its utilities shall be paid for by Contractor. All costs of permanent utility relocation to avoid conflict shall be the responsibility of the utility company involved. Contractor will not be entitled to any additional payment or extension of time for utility relocations, regardless of reason for relocation.

Contractor shall schedule the Work in such a manner that the Work is not delayed by the utility providers relocating or supporting their utilities. Contractor shall coordinate its activities with any and all public and private utility providers occupying the right-of-way. Contractor will not be entitled to any additional compensation or extension of time for any delay associated with utility relocation or support.

Contractor shall protect all overhead, surface, or underground structures and utilities from damage or displacement. Contractor will promptly and completely repair all damage to such structures within a reasonable time. All damaged utilities must be replaced or fully repaired to the satisfaction of the utility owner. All repairs are to be inspected by the utility owner prior to

TOWN OF SOUTHWEST RANCHES, FLORIDA
SW 205TH AVENUE AND SW 49TH COURT DRAINAGE PROJECT
IFB NO. 24-003

backfilling. Town reserves the right to remedy such damage by making such repairs or causing such repairs to be made at the expense of Contractor. The Town's expense in causing such repairs shall be deducted from Contractor's next Application for Payment.

4.5 PROSECUTION OF THE WORK

The Contractor will be required to maintain within the Town, at all times while this contract is in effect, the equipment necessary to properly carry out the provisions of these specifications. After receiving notice to commence with the work for a particular project the Contractor shall commence promptly within five (5) working days and shall efficiently prosecute the work with adequate personnel and equipment until final completion, within ninety (90) calendar days after the date of Substantial Completion or no later than one hundred and twenty (120) days from the issuance of the Notice to Proceed. Failure to comply with either time requirement shall result in Liquidated Damages, assessed on a work order basis and in the amounts shown in the Agreement (Exhibit "A").

4.6 MAINTENANCE OF TRAFFIC (MOT)

The Contractor shall comply with all of the requirements of the Broward County Traffic Engineering Division (BCTED) and the Manual of Uniform Traffic Control Devices (MUTCD) at all times.

If the Contractor proposes to impact any local traffic as a result of any construction activities associated with this project, he shall be required to submit a Maintenance of Traffic (MOT) Plan to SBDD, the Town of Southwest Ranches and the Broward County Traffic Engineering Division (BCTED) for approval, prior to starting the work.

The Contractor shall comply with all of the requirements of the Broward County Traffic Engineering Division (BCTED) and the Town of Southwest Ranches at all times. Any impacts to local traffic shall require a Maintenance of Traffic Plan to be submitted and approved by SBDD, Town of Southwest Ranches and Broward County Traffic Engineering Division (BCTED).

4.7 STORM PREPARATION

The Contractor shall be required to secure or remove from the site, prior to a named storm event, any materials or equipment which could cause bodily injury, damage to the work, the Owner's installations and/or public or private property. Site excavations shall be required to be secured and/or backfilled. The Contractor is responsible for preparing for all storm events. The Contractor shall take the necessary precautions to protect the walking and motoring public from harm due to construction activity. Contractor shall maintain storm water and drainage flow as may be required to prevent adverse effects of storm water which would normally flow through the existing and proposed facilities. The Contractor will not be paid additional for any measures related to this item; however, a time extension may be added to the contract for the time delay.

TOWN OF SOUTHWEST RANCHES, FLORIDA
SW 205TH AVENUE AND SW 49TH COURT DRAINAGE PROJECT
IFB NO. 24-003

4.8 LABORATORY AND DENSITY TESTS

All material, laboratory and density tests required for compliance with these specifications shall be performed by an independent testing laboratory under contract to and as directed by the Contractor and acceptable to the Owner and Engineer.

Contractor shall be responsible for arranging and obtaining and shall pay all costs associated all material, laboratory and density tests required for compliance with these specifications and required for Owner's and Engineer's acceptance of the Work.

4.9 COMPLAINTS

The Contractor recognizes that its work activities may generate complaints from adjacent property owners and property owners in the vicinity of the Project. The Contractor agrees that should such complaints be forwarded to the Contractor, whether by the Owner or otherwise, the Contractor will respond in an appropriate manner within 24 hours. The Contractor further agrees that if the Contractor receives complaints from any entity other than the Owner, it will notify the Owner, in writing, of the complaint within 24 hours.

SECTION 5 GENERAL PROVISIONS

5.1 DEFINITIONS

ADDENDA Written or graphic instruments which clarify, correct, or revise the bidding documents or the Contract Documents for Invitation for Bid 24-003.

BID The offer or proposal to perform all services required in Invitation for Bid 24-003.

BOND Bid, performance and payment bonds which guarantee performance of obligations specified in the Contract.

CHANGE ORDER A document prepared by the Town, which amends the scope of services, scheduling or pricing within the executed Contract.

CONSTRUCTION CHANGE DIRECTIVE A written order prepared by the Town, directing a change in the work, scheduling, and/or pricing of the services required under the Contract.

CONTRACT The written agreement between Town and Bidder whose bid has been accepted, covering the Work to be performed, and which incorporates the other Contract Documents to be made a part thereof and as referenced therein.

CONTRACT DOCUMENTS The Contract, as well as all Exhibits, the IFB, the Contractor's Bid, including all forms attached thereto, and all addenda, specifications, drawings, and plans, shall be hereinafter collectively referred to as the "Contract Documents".

TOWN OF SOUTHWEST RANCHES, FLORIDA
SW 205TH AVENUE AND SW 49TH COURT DRAINAGE PROJECT
IFB NO. 24-003

CONTRACT PRICE The monies payable by Town to the Contractor under the Contract Documents as stated in the Contract for the full and timely performance of the Work.

CONTRACTOR The successful bidder with whom Town has entered into a Contract with for performance of the Work.

DAY Shall mean calendar day, unless otherwise specified.

DEFECTIVE WORK Work that fails to comply with industry standards, contract provisions, or does not pass inspection.

EFFECTIVE DATE OF CONTRACT The latest execution date of the Contract.

FINAL COMPLETION Work completed in compliance with industry standards, contract provisions, and passed final inspection.

PROJECT on-site excavation, clearing, new construction and retrofit of drainage pipe, new construction of concrete drainage structures and associated grates, associated erosion control measures, swale re-grading, street and driveway restoration, and installation of grass sod, as defined in IFB24-003

SUBSTANTIAL COMPLETION is defined as the date upon which the last of all the following events have occurred:

- (i) All necessary approvals have been issued with respect to the Work by the appropriate governmental authorities;
- (ii) Restoration of all utilities to operational status;
- (iii) All Work has been completed; and
- (iv) The Town's engineer/architect of record for the Project, Town of Southwest Ranches Drainage Improvements, has issued its written acceptance of the Work performed by Contractor and executed and delivered to the Town a Certificate of Substantial Completion.

TOWN Town of Southwest Ranches, Florida

WORK on-site excavation, clearing, new construction and retrofit of drainage pipe, new construction of concrete drainage structures and associated grates, associated erosion control measures, swale re-grading, street and driveway restoration, and installation of grass sod, as defined in IFB24-003.

APPLICABLE CODES

TOWN OF SOUTHWEST RANCHES, FLORIDA
SW 205TH AVENUE AND SW 49TH COURT DRAINAGE PROJECT
IFB NO. 24-003

A. General

All construction and materials shall conform to the standards and specifications of the South Broward Drainage District (SBDD), Town of Southwest Ranches, Broward County Traffic Engineering Division (BCTED), South Florida Water Management District (SFWMD) and all other local and national codes where applicable.

B. Construction Safety

All construction shall be done in a safe manner, specifically, the rules and regulations of the Occupational Safety and Health Administration (OSHA) and the Manual of Uniform Traffic Control Devices (MUTCD) shall be strictly observed.

C. Trench Safety Act

Contractor shall be solely responsible for compliance with the State of Florida Trench Safety Act, Florida Statutes Section 560, etc. No trenches shall be left open overnight or during weekends.

D. Survey Data

All elevations on the plans or referenced in the specifications are based on the North American Vertical Datum of 1988 (NAVD).

5.2 EXISTING IMPROVEMENTS AND LANDSCAPING

A. All trees, shrubs and other vegetation that must be removed to perform the work under this contract shall be disposed of off-site in a legal manner.

B. All fences that are removed must be reinstalled or replaced with the same type (thickness, color, material, size, etc.) of fence as was removed unless noted as removal only.

C. All wood, plastic, paper, metal and vegetation removed from the site shall be disposed by the Contractor outside the boundaries of this project in accordance with all applicable environmental regulations.

D. Irrigation systems and existing utility lines encountered by the Contractor are to be protected. Any damage to any irrigation system or existing utility line shall be repaired by the Contractor at his own expense.

E. All mailboxes, entry gate access/call boxes or decorative entry features that are removed or disturbed during construction must be reinstalled or replaced with the

TOWN OF SOUTHWEST RANCHES, FLORIDA
SW 205TH AVENUE AND SW 49TH COURT DRAINAGE PROJECT
IFB NO. 24-003

same type (thickness, color, material, size, etc.) of item as was removed unless noted as removal only.

5.3 CONTRACTOR'S PRECONSTRUCTION RESPONSIBILITIES

- A. Upon receipt of Notice of Award, the Contractor shall arrange a preconstruction conference with the Owner.
- B. The Contractor shall obtain a Sunshine Certification Number at least 48 hours prior to beginning any excavation. The Contractor shall be responsible for damage to any existing utilities for which he fails to request locations. He shall also be responsible for damage to any existing utilities for which he requests locations. The Contractor is to provide Certification number to the Owner prior to commencing any work.
- C. Utility lines in the Project area have been shown on the Plans. However, Town does not represent or warrant that all lines are shown, or that the ones indicated are in their true location. Contractor must identify and locate all underground and overhead utility lines or equipment affecting or affected by the Project. Contractor will not be entitled to any additional payment or extension of time due to discrepancies between actual location of utilities and Plan location of utilities.
- D. Contractor shall notify each utility company with facilities in the Project site, at least thirty (30) days prior to the start of construction, to arrange for positive underground location, relocation, or support of its utility where that utility may be in conflict with or endangered by the Work. The cost of relocation of water mains or other utilities for the convenience of Contractor shall be paid by Contractor. All charges by utility companies for temporary support of its utilities shall be paid for by Contractor. All costs of permanent utility relocation to avoid conflict shall be the responsibility of the utility company involved. Contractor will not be entitled to any additional payment or extension of time for utility relocations, regardless of reason for relocation.
- E. The Contractor shall verify the size, location, elevation and material of all existing utilities within the area of construction. If upon excavation, an existing utility is found to be in conflict with the proposed construction or to be of a size or material different from that shown on the Plans; the Contractor shall immediately notify the Owner. The Contractor shall hand dig in the vicinity of the existing irrigation or utility lines to minimize the potential for damage to those pipes.
- F. Contractor shall schedule the Work in such a manner that the Work is not delayed by the utility providers relocating or supporting their utilities. Contractor shall coordinate its activities with any and all public and private utility providers occupying the right-of-way. Contractor will not be entitled to any additional compensation or extension of time for any delay associated with utility relocation or support.

TOWN OF SOUTHWEST RANCHES, FLORIDA
SW 205TH AVENUE AND SW 49TH COURT DRAINAGE PROJECT
IFB NO. 24-003

- G. Contractor shall protect all overhead, surface, or underground structures and utilities from damage or displacement. Contractor will promptly and completely repair all damage to such structures within a reasonable time. All damaged utilities must be replaced or fully repaired to the satisfaction of the utility owner. All repairs are to be inspected by the utility owner prior to backfilling. Town reserves the right to remedy such damage by making such repairs or causing such repairs to be made at the expense of Contractor. The Town's expense in causing such repairs shall be deducted from Contractor's next Application for Payment.
- H. The Contractor shall be responsible for damage to any existing utilities, piping, etc. shown on the drawings, or for which he fails to request locations from the utility owner. He is responsible as well for damage to any existing utilities/piping that is properly located.
- I. Temporary Utilities – it shall be the Contractor's responsibility to arrange for or supply temporary water services, sanitary facilities, electricity, phones, etc. to his employees and subcontractors for their use during construction.
- J. Staging Area – the Contractor shall be able to make use of the right-of-way area for staging of equipment and materials. It shall be the Contractor's responsibility to properly secure the staging area and to maintain the staging area in a neat and orderly manner. The Owner shall not be responsible for any damage, theft, displacement, or other incidents that may occur in the staging area or project site.
- K. The Contractor shall obtain approval from private property owners for the locations and use of all other staging areas or construction traffic access routes, beyond those areas identified in the contract documents.

5.4 SURVEYS, LINES AND GRADES

The Contractor shall furnish all original and replacement surveys necessary for construction of the project, including detailed stake-out, line and grade stakes, and bench marks as required.

Prior to beginning construction, the Contractor shall provide the Owner with all information related to the survey bench mark(s) to be used by the Contractor including: location, source and identification number.

Contractor shall provide documentation of reference points being used for construction and confirmation that they are correct.

The Contractor shall not rely on scaling or measurements of line work, symbols, etc. on AutoCAD files or other computer files provided by the Owner or Engineer. The Contractor or Contractor's Surveyor shall perform all required calculations, reviews, confirmations, and other office work necessary to properly lay-out and/or as-built the project in accordance with the Contract Documents.

TOWN OF SOUTHWEST RANCHES, FLORIDA
SW 205TH AVENUE AND SW 49TH COURT DRAINAGE PROJECT
IFB NO. 24-003

As-built surveys shall be performed by a surveyor under contract to the Contractor. All as-built surveys that reflect work performed in accordance with the Contract Documents shall be included in the lump sum contract price. There will be no separate payment for providing the required stake-out, line and grade, benchmarks, as-built drawings, or other surveying work.

5.5 INSPECTIONS

The Contractor shall notify SBDD (954) 680-3337 at least 24 hours prior to the inspection of the following items:

- A. Placing RCP: Bedding, pipe joints and backfill are to be inspected (including density tests).
- B. Drainage structures: Type C and Type D inlets, 5' diameter manholes, PRB, headwall, and concrete aprons.
- C. Lamping: All piping is to be lamped, as determined by the SBDD Inspector.
- D. Grading: Site grading and swale grading shall be approved prior to sodding.
- E. Restoration, including asphalt, asphalt driveways and concrete driveway restoration.
- F. Final: Participate with the Owner and SBDD in a Final Inspection of all work performed.

5.6 SHOP DRAWINGS

- A. Prior to their construction or installation, shop drawings shall be submitted to and reviewed by the Owner for pipe material, drainage structures, PRBs, and all other project components as appropriate or as directed by the Owner.
- B. Prior to submitting shop drawings to the owner, the Contractor shall review and approve the drawings and shall note in red, any deviations from the plans and specifications.

5.7 PROJECT SITE

- A. During construction the project site, staging area, construction traffic routes, and all adjacent areas shall be maintained in a neat and clean manner. Upon final clean-up, the project site shall be left clear of all surplus material or trash and the paved areas shall be swept broom clean and washed down as directed by Owner.
- B. The Contract Documents depict the project limits for the project. The Contractor is prohibited from entering, encroaching upon or storing material on any property

TOWN OF SOUTHWEST RANCHES, FLORIDA
SW 205TH AVENUE AND SW 49TH COURT DRAINAGE PROJECT
IFB NO. 24-003

outside the project limits or approved staging area without the express written permission of the affected property owner(s).

- C. The Contractor shall restore all damages to existing wetlands, uplands, rights-of-way, easements, private properties, South Broward Drainage District facilities and surface and underground facilities resulting directly or indirectly from his construction operations to a condition equal to or better than the condition existing prior to work.
- D. The Contractor shall restore or replace, when and as directed by Owner, any public or private property damaged or altered by his work, equipment, employees or those of his subcontractors to a condition at least equal to that existing immediately prior to the beginning of operations.
- E. The Contractor and Owner shall perform a pre-work inspection of the project area, staging area and construction traffic routes to review and document the existing conditions. Contractor shall be responsible to perform the level of review and documentation necessary to properly and adequately document the existing pre-work conditions. The pre-work inspection shall be the basis for the Owner to determine the extent of restoration/replacement that is required under these contract documents to restore/replace the project site, staging area, construction traffic access routes, and adjacent areas to a condition at least equal to that existing immediately prior to the beginning of operations.
- F. Where material or debris has washed into, flowed into, or been placed into water bodies, lakes, ditches, drains, catch basins, or elsewhere as a result of the Contractor's operations, such material or debris shall be removed and satisfactorily disposed of by the Contractor.
- G. No trenches shall be left open overnight or during weekends.

5.8 POLLUTION CONTROL

During the entire course of construction operations, the Contractor shall control and conduct such operations and institute maintenance procedures to prevent pollution of adjacent lands and surface waters and deposition of solids caused by either material runoff or pumped discharges from the construction area. The Contractor shall use turbidity screens or other best management practices that may be necessary to maintain water quality standards. Pollution Control measures shall apply to both the work area and the staging area, as applicable.

The Contractor shall take all necessary measures to prevent dust and airborne sand from impacting adjacent properties. These measures may include watering and the application of calcium chloride or any other approved legal method.

The Contractor shall not receive any additional compensation for pollution control activities.

TOWN OF SOUTHWEST RANCHES, FLORIDA
SW 205TH AVENUE AND SW 49TH COURT DRAINAGE PROJECT
IFB NO. 24-003

If any fines or penalties are incurred as a result of the Contractors actions or inactions, the Contractor shall be fully and solely responsible for those fines or penalties whether they were levied against the Contractor, Owner or Engineer.

The Contractor shall apply for, secure and abide by the terms of a dewatering permit if any of his activities or those of his subcontractors warrant a dewatering permit from any government agency. The Contractor shall pay for all costs associated with the dewatering permit under the total lump sum price for the project.

If any pollution of the land or water occurs, directly or indirectly, as a result of the Contractor's work, the Owner shall have the right, but not the obligation to clean up the pollution or to hire a company to clean up the pollution and to back charge the Contractor for the cost of the clean-up. The Owner shall have the option to require the Contractor to reimburse him for the cost of such clean up or to deduct the cost from the Contractor's pay requests.

5.9 DISPOSAL OF WASTE MATERIALS AND DEBRIS

Contractor shall remove from the job site, all demolition debris, waste materials and debris resulting from his construction activities in accordance with the Contract Documents. The Contractor shall provide all means of protecting the work area and other surrounding properties from any hazardous waste by methods approved by all governmental agencies having jurisdiction.

5.10 SAFETY – LOSS CONTROL PROVISIONS

The Contractor shall be responsible for providing safe and healthful working conditions for employees of the Contractor, subcontractors, the District, or its invitees. The Contractor shall initiate and maintain an accident prevention program which should include, but is not limited to, the following: establish and supervise programs for the education and training of employees in the recognition, avoidance, and prevention of unsafe conditions and acts.

The Contractor shall be responsible for providing first-aid services and medical care to all his employees. The Contractor shall be responsible for development and maintenance of an effective fire protection and prevention program at the job site throughout the construction, repair, alterations, or demolition work. The Contractor shall be responsible for requiring the wearing of appropriate personal protective equipment in all operations where there is exposure to hazardous conditions, including safety belts, lifelines, and lanyards.

Nothing contained herein shall be construed to shift responsibility or risk of loss for injuries or damages sustained as a result of a violation of this section from the Contractor to the District and the Contractor shall remain solely and exclusively responsible for compliance with all safety requirements and for the safety of all person and property at the project site. Employees required to handle or use toxins, caustics, and other harmful substances shall be instructed regarding the safe handling and use, and be made aware of the potential hazards, personal hygiene, and personal protective measures required. All work shall meet and be in compliance with standards and regulations set forth by Occupational Safety and Health Administration (OSHA), Florida

TOWN OF SOUTHWEST RANCHES, FLORIDA
SW 205TH AVENUE AND SW 49TH COURT DRAINAGE PROJECT
IFB NO. 24-003

Department of Labor and Employment Security, and any and all other appropriate federal, state, local or District safety and health standards including, but not limited to OSHA, and the State of Florida Trench Safety Act.

The Contractor agrees that during the progress of work under the Agreement, he will, at all times, comply with the safety requirements of OSHA, Broward County, and Contractor does hereby save and hold harmless Owner, Engineer, and Owner's and Engineer's agents and employees from any liability, damages, costs, or expenses, attorneys' fees and court costs through all trial and appellate levels arising out of any injury to persons or property sustained by reason of the default or neglect of the Contractor to properly comply with any of the above safety requirements or any other applicable safety requirements and to protect the work covered by this Agreement.

5.11 PROJECT RECORD DRAWINGS

- A. The Contractor shall maintain accurate and complete records of work items completed.
- B. All required density tests for the backfill shall be provided to the Engineer prior to placing the sod.
- C. All "as-built" information submitted to the Engineer shall be sufficiently accurate, clear and legible to satisfy the Engineer and any applicable reviewing agency that the information provides a true and accurate representation of the improvements constructed.
- D. "As-built" information for the drainage improvements shall include horizontal locations and all piping and structures; rim and invert elevations; pipe lengths; bottom of structure elevations; bottom of PRB elevations; pipe crossing information; swale elevations; and all relevant physical features. "As-built" drawings shall be overlaid on the approved construction drawings.
- E. All "as-built" information shall be certified by a registered land surveyor.

5.12 TESTING

All laboratory and density tests required for compliance with these specifications shall be performed by an independent testing laboratory under contract to and as directed by the Contractor, and acceptable to the Owner.

Contractor shall be responsible for arranging and obtaining and shall pay all costs associated with laboratory and density tests required for compliance with these specifications and required for Owner's and Engineer's acceptance of the Work.

TOWN OF SOUTHWEST RANCHES, FLORIDA
SW 205TH AVENUE AND SW 49TH COURT DRAINAGE PROJECT
IFB NO. 24-003

The following material and density tests shall be required:

- Two (2) density tests each for the subgrade and lime rock base material under the pavement area, asphalt driveways and concrete driveway restoration areas (total of 28 tests).
- Two (2) density tests per lift per pipe run for the backfill material over the drainage pipe.
- The cost of all laboratory and density test shall be included in the lump sum price for the project.

5.13 FINAL COMPLETION

Upon completion of Construction, the Contractor must request a substantial or final completion inspection. Payment to Contractor will be dependent upon satisfactory completion of the inspection.

5.14 CONTRACT DOCUMENTS

The Contract Documents comprise the entire agreement between the Town and Contractor concerning the Work. Any Work, materials or equipment that may be reasonably inferred from the Contract Documents as being required to produce the intended result will be supplied whether or not specifically called for. Reference to standard specifications, manuals or codes of any technical society, organization, or association, or to the laws or regulations of any governmental authority, or to any permits and conditions thereof, shall mean the latest standard specification, manual, code, laws, regulations or permit in effect at the time of executing the Contract, except as may otherwise be specifically stated.

If during the performance of the Work, Contractor finds a conflict, error or discrepancy in the Contract Documents, Contractor shall immediately report findings to the Town in writing and shall obtain a written interpretation or clarification from the Town, before proceeding with the Work affected by the findings. Failure to obtain such written interpretation or clarification before proceeding shall result in a conclusive forfeiture and abandonment of any claim by Contractor for additional compensation and/or time, which could have been avoided by such interpretation or clarification, and Contractor shall bear all costs associated with removal, replacement, correction, repair or restoration of such Work.

5.15 SCOPE OF WORK

The project includes, but is not limited to, the furnishing of all labor, materials, tools, equipment, machinery, expertise, services, and all else necessary and reasonably inferable for proper construction and completion of the project consisting of excavation, construction of storm drainage pipe, stormwater structure retrofitting, stormwater structure coring, construction of

TOWN OF SOUTHWEST RANCHES, FLORIDA
SW 205TH AVENUE AND SW 49TH COURT DRAINAGE PROJECT
IFB NO. 24-003

concrete catch basins and inlets with grates, grading, filling and street repair and repaving, and installation of swales and grass sodding, and site restoration.

5.16 CHANGES IN THE WORK

Changes in the quantity or character of the Work within the scope of the Project that cannot be accomplished by means of Field Orders or Supplemental Instructions, including all changes resulting in changes to the Contract Price or the Contract Time, shall be authorized only by Change Orders approved in advance and issued in accordance with the provisions of the Town's Procurement Code, as amended from time to time.

Contractor shall not start work on any changes requiring an increase in the Contract Price or the Contract Time until a Change Order setting forth the adjustments is approved by Town. Upon receipt of a Change Order, Contractor shall promptly proceed with the Work set forth in the Change Order.

In the event satisfactory adjustment cannot be reached for any item requiring a change in the Contract Price or Contract Time, and a Change Order has not been issued, Town may, at its sole option, either terminate this Contract as it applies to the items in question and make such arrangements as the Town deems necessary to complete the work associated with the disputed item or submit the matter in dispute to the Town Administrator as set forth in Section 31, of Exhibit "A" Agreement.

Under circumstances determined necessary by the Town, Change Orders may be issued unilaterally by the Town. During the pendency of the dispute, and upon receipt of a Change Order from the Town, Contractor shall promptly proceed with the change in the Work involved and advise the Contract Administrator in writing within seven (7) days after receipt of the Change Order of Contractor's agreement or disagreement with the method, if any, provided in the Change Order for determining the proposed adjustment in the Contract Price or Contract Time.

On approval of any Contract change increasing the Contract Price, Contractor shall promptly ensure that the performance bond and payment bond are increased so that each reflects the total Contract Price as increased. Contractor will promptly provide the Town such updated bonds.

5.17 CHANGE IN THE CONTRACT PRICE OR CONTRACT TIME

The Bid price constitutes the total compensation, subject to authorized adjustments, payable to the Contractor for the complete and timely performance of the Work. All duties, responsibilities and obligations assigned to or undertaken by Contractor shall be at his expense without change in the Contract Price or Contract Time.

Quantities shown in the Bid and Bid Schedule are approximate only and are subject to either increase or decrease. The quantities indicated are estimates based on the scope of the project. Unless authorized by the Town, via Change Order or Construction Change Directive, variation in

TOWN OF SOUTHWEST RANCHES, FLORIDA
SW 205TH AVENUE AND SW 49TH COURT DRAINAGE PROJECT
IFB NO. 24-003

the estimated quantities shall not be a basis for the Contractor to seek payment beyond the price stipulated in the Bid and Bid Schedule and Contract.

5.17.1 Change Order. The Contract may be changed only by a Change Order approved by the Town. Any increase or decrease in the Contract Price or adjustment in the Contract Time shall be based on written notice, by the Contractor to the Town, notifying of the occurrence giving rise to damages. Within fourteen (14) days thereafter, Contractor shall supply notice of the amount of the claim, including supporting data for direct, indirect, and consequential damages resulting from the occurrence. All claims for adjustment in the Contract Price or Contract Time shall be determined by the Town. Contractor acknowledges and agrees that no claim for an adjustment in the Contract Price or Contract Time will be valid or enforceable if not submitted in strict accordance with this paragraph.

5.17.2 The value of any Work covered by a Change Order or of any claim for an increase or decrease in the Contract Price shall be determined in one of the following ways:

- a. If the Work involved is covered by unit prices contained in this Contract, by application of unit prices to the quantities of items involved, subject to the provisions of Section 5.18.7
- b. By mutual acceptance of a lump sum, which sum Contractor and Town acknowledge contains a component for overhead and profit.
- c. On the basis of the “cost of work,” determined as provided in Sections 5.18.3 and 5.18.4, plus a Contractor’s fee for overhead and profit as determined in Section 5.18.3.

5.17.3 The term “cost of work” means the sum of all direct costs necessarily incurred and paid by Contractor in the proper performance of the Work described in the Change Order. Except as otherwise may be agreed to in writing by Town, such costs shall be in amounts no higher than those prevailing in the locality of the Project; shall include only the following items; and shall not include any of the costs itemized in Section 5.18.4.

- a. Payroll costs for employees in the direct employ of Contractor in the performance of the Work described in the Change Order under schedules of job classifications agreed upon by the Town and Contractor. Payroll costs for employees not employed full time on the Work covered by the Change Order shall be apportioned on the basis of their time spent on the Work. Payroll costs shall include, but not be limited to, salaries and wages plus the cost of fringe benefits, which shall include social security contributions, unemployment, excise and payroll taxes, workers’ compensation, health and retirement benefits, bonuses, sick leave, vacation, and holiday pay application thereto. Such employees shall include superintendents and foremen at the site. The expenses of performing the Work after regular working hours, on Sunday or legal holidays, shall be included in the above to the extent authorized in advance by the Town.

TOWN OF SOUTHWEST RANCHES, FLORIDA
SW 205TH AVENUE AND SW 49TH COURT DRAINAGE PROJECT
IFB NO. 24-003

- b. Cost of all materials and equipment furnished and incorporated in the Work, including costs of transportation and storage thereof, and manufacturers' field services required in connection therewith. All cash discounts shall accrue to Contractor unless the Town deposits funds with Contractor to make payments, in which case the cash discounts shall accrue to the Town. All trade discounts, rebates and refunds, and all returns from sale of surplus materials and equipment shall accrue to the Town, and Contractor shall make provisions so that they may be obtained. Rentals of all construction equipment and machinery, and the parts thereof, whether rented by Contractor, in accordance with rental agreements approved by the Town, and the costs of transportation, loading, unloading, installation, dismantling and removal thereof, all in accordance with the terms of said agreements. Town will not be responsible for the cost of the rental of any such equipment, machinery, or parts when the use thereof is no longer necessary for the Work.
- c. Payments made by Contractor to Subcontractors for work performed by Subcontractors. If required by the Town, Contractor shall obtain competitive bids from Subcontractors acceptable to Contractor and shall deliver such bids to the Town who will then determine, which bids will be accepted. If the subcontract provides that the Subcontractor is to be paid on the basis of cost of the work plus a fee, the Subcontractor's cost of the work shall be determined in the same manner as Contractor's cost of the work. All Subcontractors shall be subject to the other provisions of this Contract insofar as applicable.
- d. Cost of special consultants, including, but not limited to, engineers, architects, testing laboratories, and surveyors employed for services specifically related to the performance of the work described in the Change Order.
- e. Supplemental costs including the following:
 - (i) All materials, supplies, equipment, machinery, appliances, office and temporary facilities, including transportation and maintenance thereof, at the site and hand tools not owned by the workers used in the performance of the Work, less market value of such items used but not consumed, and which items remain the property of Contractor.
 - (ii) Sales, use, or similar taxes related to the Work, imposed by any governmental authority, for which Contractor is liable.
 - (iii) The cost of utilities, fuel, and sanitary facilities at the site.
 - (iv) Cost of premiums for additional bonds and insurance required because of changes in the Work.

5.17.4 The term "cost of the work" shall not include any of the following:

- a. Payroll costs and other compensation of Contractor's officers, executives, principals (of partnership and sole proprietorships), general managers,

TOWN OF SOUTHWEST RANCHES, FLORIDA
SW 205TH AVENUE AND SW 49TH COURT DRAINAGE PROJECT
IFB NO. 24-003

engineers, architects, estimators, schedulers, lawyers, auditors, accountants, purchasing and contracting agents, expeditors, timekeepers, clerks and other personnel employed by Contractor whether at the site or in its principal or a branch office, for general administration of the Work that are not specifically included in the agreed-upon schedule of job classifications referred to in subsection 5.18.3.a, all of which payroll costs and other compensation are to be considered administrative costs covered by Contractor's fee.

- b. Expenses of Contractor's principal and branch offices other than Contractor's field office at the Project site.
- c. Any part of Contractor's capital expenses, including but not limited to interest on Contractor's capital employed for the Work as well as charges against Contractor for delinquent payments.
- d. Cost of premiums for all bonds and for all insurance, whether Contractor is required by this Contract to purchase and maintain the same, except for additional bonds and insurance required because of changes in the Work.
- e. Costs due to the negligence or neglect of Contractor, any Subcontractors, or anyone directly or indirectly employed by any of them or for whose acts any of them may be liable, including but not limited to, the correction of defective Work, disposal of materials or equipment wrongly supplied, and repairing or remedying any damage to property.
- f. Other overhead or general expense costs of any kind. cite in 5.18.2.c

5.17.5 Contractor's fee for overhead and profit shall be determined as follows:

- a. A mutually acceptable fixed fee, or if no fixed fee can be agreed upon;
- b. A fee based on the following percentages of the various portions of the cost of the Work:
 - (i) For costs incurred under subsections 5.18.3.a and 5.18.3.b, Contractor's fee shall not exceed ten percent (10%).
 - (ii) For costs incurred under subsection 5.18.3.c, Contractor's fee shall not exceed seven and one-half percent (7.5%); and if a subcontract is on the basis of cost of the work plus a fee, the maximum allowable to the Subcontractor as a fee for overhead and profit shall not exceed ten percent (10%); and
 - (iii) No fee shall be payable on the basis of costs itemized under subsections 5.18.3.d and 5.18.3.e (except subsection 5.18.3.e(iii)) and Section 5.18.4

5.17.6 The amount of credit to the Town for any change that results in a net decrease in cost will be the amount of the actual net decrease. When both additions and credits are involved

TOWN OF SOUTHWEST RANCHES, FLORIDA
SW 205TH AVENUE AND SW 49TH COURT DRAINAGE PROJECT
IFB NO. 24-003

in any one change, the combined overhead and profit shall be figured on the basis of the net increase, if any. Contractor shall not be entitled to claim lost profits for any Work not performed.

5.17.7 Whenever the cost of any Work is to be determined pursuant to Sections 5.18.3 and 5.18.4, Contractor will submit in a form acceptable to Contract Administrator an itemized cost breakdown together with the supporting data.

5.17.8 If the quantity of any item of the Work covered by a unit price is increased or decreased by more than twenty percent (20%) from the quantity of such Work indicated in this Contract, an appropriate Change Order shall be issued to adjust the unit price, if warranted.

5.17.9 Whenever a change in the Work is to be based on mutual acceptance of a lump sum, whether the amount is an addition, credit or no change-in-cost, Contractor shall submit an initial cost estimate acceptable to Contract Administrator.

- a. Such cost estimate shall include a breakdown listing the quantities and unit prices for materials, labor, equipment and other items of cost.
- b. Whenever a change involves Contractor and one or more Subcontractors and the change is an increase in the Contract Price, overhead and profit percentage for Contractor and each Subcontractor shall be itemized separately.

5.17.10 Each Change Order must state within the body of the Change Order whether it is based upon unit price, negotiated lump sum, or “cost of the work.”

5.17.11 Where the Contract Documents provide that all or part of the Work is to be Unit Price Work, the Contract Price will be deemed to include all Unit Price Work, in an amount equal to the sum of the established unit price item multiplied by the quantity. The estimated quantities of items are not guaranteed. Each unit price shall be deemed to include Contractor’s overhead and profit.

5.17.12 Any claim for a change in the Contract Time or Contract Price shall be made by written notice by Contractor to the Town within five (5) days of the commencement of the event giving rise to the claim or Contractor’s knowledge of the claim, and the notice shall state the general nature and cause of the claim. Thereafter, within twenty (20) days after the termination of the event giving rise to the claim or Contractor’s knowledge of the claim, Contractor shall submit written notice of the extent of the claim with supporting information and documentation to the Contract Administrator (hereinafter “Claim Notice”). The Claim Notice shall include Contractor’s written notarized certification that the adjustment claimed is the entire adjustment to which Contractor has reason to believe it is entitled as a result of the occurrence the event giving rise to the claim. If the Contract Administrator and Contractor cannot resolve a claim for changes in the Contract Time or Contract Price within twenty (20) days after receipt of the Claim Notice by the Contract Administrator, then Contractor shall submit the claim to Town Administrator within five (5) days from the date of impasse. **IT IS EXPRESSLY AND SPECIFICALLY**

TOWN OF SOUTHWEST RANCHES, FLORIDA
SW 205TH AVENUE AND SW 49TH COURT DRAINAGE PROJECT
IFB NO. 24-003

AGREED THAT ANY AND ALL CLAIMS FOR CHANGES TO THE CONTRACT TIME OR CONTRACT PRICE SHALL BE WAIVED IF NOT SUBMITTED IN STRICT ACCORDANCE WITH THE REQUIREMENTS.

The Contract Time will be extended in an amount equal to time lost on critical Work items due to delays beyond the control of and through no fault or negligence of Contractor if a claim for an extension in accordance with Section 5.15. Such delays shall include, but not be limited to, acts, omissions, or neglect by any separate contractor employed by Town, fires, floods, labor disputes, epidemics, abnormal weather conditions or acts of God.

No claim for damages or any claim, other than for an extension of time, shall be made or asserted against Town by reason of any delays except as provided herein. Contractor shall not be entitled to an increase in the Contract Price or payment or compensation of any kind from the Town for direct, indirect, consequential, impact or other costs, expenses or damages, including but not limited to costs of acceleration or inefficiency, arising from delay, disruption, interference or hindrance from any cause whatsoever, whether such delay, disruption, interference or hindrance be reasonable or unreasonable, foreseeable or unforeseeable, or avoidable or unavoidable. Contractor shall be entitled only to extensions of the Contract Time as the sole and exclusive remedy for such resulting delay, in accordance with and to the extent specifically provided above; provided, however, that this provision shall not preclude recovery of damages by Contractor for actual delays due solely to fraud, bad faith, or active interference on the part of Town.

5.18 EXCUSABLE DELAY; COMPENSABLE; NON-COMPENSABLE

5.18.1 Excusable Delay. Delay that extends the completion of the Work and that is caused by circumstances beyond the control of Contractor, or its Subcontractors, suppliers, or vendors are Excusable Delay. Contractor is entitled to a time extension of the Contract Time for each day the Work is delayed due to Excusable Delay. Contractor shall document its claim for any time extension as provided in Section 5.18 hereof. Failure of Contractor to comply with Section 5.18 hereof as to any particular event of delay shall be deemed conclusively to constitute a waiver, abandonment, or relinquishment of any and all claims resulting from that particular event of delay. Excusable Delay may be compensable or non-compensable, as provided below.

- a. A Compensable Excusable Delay. Excusable Delay is compensable when (i) the delay extends the Contract Time; (ii) is caused by circumstances beyond the control of Contractor or its Subcontractors, suppliers or vendor; and (iii) is caused solely by fraud, bad faith or active interference on the part of Town or its agents. In no event shall Contractor be compensated for interim delays that do not extend the Contract Time. Contractor shall be entitled to direct and indirect costs for Compensable Excusable Delay. Direct costs recoverable by Contractor shall be limited to the actual additional costs allowed pursuant to Section 5.15 hereof.

Town and Contractor recognize and agree that the amount of Contractor's precise actual indirect costs for delay in the performance and completion of the Work is impossible to determine as of the date of execution of this Contract, and that proof

TOWN OF SOUTHWEST RANCHES, FLORIDA
SW 205TH AVENUE AND SW 49TH COURT DRAINAGE PROJECT
IFB NO. 24-003

of the precise amount will be difficult. Therefore, indirect costs recoverable by Contractor shall be liquidated on a daily basis for each day the Contract Time is delayed due to a Compensable Excusable Delay. These liquidated indirect costs shall be paid to compensate Contractor for all indirect costs caused by a Compensable Excusable Delay, and shall include, but not be limited to, lost profits, all profit on indirect costs, home office overhead, acceleration, loss of earnings, loss of productivity, loss of bonding capacity, loss of opportunity and all other indirect costs incurred by Contractor. The amount of liquidated indirect costs recoverable shall be two hundred Dollars (\$200.00) per day for each day this Contract is delayed due to a Compensable Excusable Delay.

- b. Non-Compensable Excusable Delay. When Excusable Delay is (i) caused by circumstances beyond the control of Contractor, its Subcontractors, suppliers and vendors; (ii) is caused by circumstances beyond the control of Town; or (iii) is caused jointly or concurrently by Contractor or its Subcontractors, suppliers or vendors and by Town, then Contractor shall be entitled only to a time extension and no further compensation for the delay.

5.19 WARRANTY AND GUARANTEE; CORRECTION, REMOVAL OR ACCEPTANCE OF DEFECTIVE WORK

In addition to any manufacturer's warranties, Contractor warrants and guarantees that all work will be in strict accordance with the Contract Documents and will be free from defects. Any and all defective Work may be rejected, corrected, or accepted, as provided below.

5.19.1 Owner May Stop the Work. If Work is defective, the Town may order Contractor to stop the Work, or any portion thereof, until the cause for such order has been eliminated. However, the Town's right to stop Work shall not give rise to any duty on the part of Town to exercise this right for the benefit of Contractor or any other party.

5.19.2 Correction or Removal of Defective Work. If required by Town, Contractor shall promptly and at its sole expense, either correct or remove all defective Work and replace it with non-defective Work. Contractor shall bear all direct, indirect and consequential costs of such correction or removal.

5.19.3 One Year Correction Period. In the event any work is found to be defective within one year of Final Completion, Contractor shall promptly, without cost to Town and in accordance with Town's written instructions, either correct such defective Work, or remove it and replace it with non-defective Work. If Contractor does not promptly comply with the terms of such instructions, or in an emergency where delay would cause serious risk of loss or damage, Town may have the defective Work corrected or removed and replaced, and all direct, indirect and consequential costs of such removal and replacement will be promptly paid by Contractor. Nothing in this IFB or the Contract shall be construed as a limitation on any right or remedy for breach of the Contract or defects in the Work. All rights set forth herein and, in the Contract, shall be deemed cumulative and in addition to any rights or remedies which may be afforded by Florida law.

TOWN OF SOUTHWEST RANCHES, FLORIDA
SW 205TH AVENUE AND SW 49TH COURT DRAINAGE PROJECT
IFB NO. 24-003

5.19.4 Acceptance of Defective Work. Instead of requiring correction or removal and replacement of defective Work, the Town may accept the defective work. Contractor shall bear all direct, indirect, and consequential costs attributable to Town's evaluation of and determination to accept such defective Work. If such acceptance occurs prior to final payment, a Change Order will be issued incorporating the necessary revisions in the Contract Documents and Town shall be entitled to an appropriate decrease in Contract Price. If the parties are unable to agree as to the amount thereof, Town may make a claim as provided in, Item H "Change in the Contract Price or Contract Time". If the acceptance occurs after final payment, an appropriate amount, consistent with the above will be promptly paid by the Contractor to the Town.

5.19.5 Town may Correct Defective Work. If the Town issues notice, requiring correction of defective work and Contractor fails to do so within seven (7) days of notice, the Town may take all action necessary to correct the defect. In exercising the rights and remedies under this paragraph Town shall proceed expeditiously.

To the extent necessary to complete remedial action, Town may exclude Contractor from all or part of the site, take possession of all or part of the Work, suspend Contractor's services related thereto, and take possession of Contractor's tools, appliances, construction equipment, and machinery at the site. Contractor shall allow Town and its representatives, agents and employees access to Contractor's tools, appliances, construction equipment and machinery as required to correct defective work. All direct, indirect, and consequential costs of the Town in exercising such rights and remedies will be charged against Contractor in a Change Order and Town shall be entitled to an appropriate decrease in the Contract Price. If the parties are unable to agree as to the amount of the decrease or amount due the Town, Town may make claim therefor as provided in section, 5.5 – "Change in the Contract Price or Contract Time" against Contractor and its surety without prejudice to any other right or remedies available. Any resulting direct, indirect, and consequential damages shall be recoverable from Contractor and its surety.

5.19.6 Waiver of Florida Statute 558. The Contractor and the Town understand and agree that chapter 558, Florida Statutes, shall not apply to the Contract or claims, if any, by the Town arising out of the IFB or the resulting Contract. The Contractor and the Town further hereby agree to "opt out" of the procedures set forth at chapter 558, Florida Statutes.

5.20 SUSPENSION OF WORK AND TERMINATION

The Town may, at any time and without cause, suspend Work or any portion thereof for a period of not more than ninety (90) days by notice in writing to Contractor. Contractor shall resume work on a date so determined by the Town. Contractor shall not be allowed an increase in the Contract Price for any such suspension lasting not more than ninety (90) days. If, through no fault of Contractor, the Work is suspended for a period of more than ninety (90) days, then Contractor may, upon seven (7) days' written notice to the Town, terminate the Contract and recover from the Town payment for all Work properly executed up to the date of the notice, including reasonable overhead and profit, except as otherwise limited by this IFB or the Contract;. Provided however, that in no event shall Town be liable for consequential damages, including but not limited to, lost profits on Work not yet performed. The Town may terminate all Work if Contractor violates any

TOWN OF SOUTHWEST RANCHES, FLORIDA
SW 205TH AVENUE AND SW 49TH COURT DRAINAGE PROJECT
IFB NO. 24-003

provisions of the Contract Documents. In such case, the Town may, after giving Contractor written notice pursuant to the Contract, terminate the services of the Contractor, exclude Contractor from the site, take possession of the Work including Contractor's tools, appliances, construction equipment and machinery, and finish the Work as the Town may deems appropriate under the circumstances. In such case, Contractor shall not be entitled to receive any further payment until the Work is finished. If cost of completing the Work exceeds the unpaid balance, Contractor shall promptly pay the difference to the Town. When exercising any rights or remedies under this paragraph the Town shall not be required to obtain the lowest price for the Work performed, nor obtain competitive bids for the Work except as may otherwise be required by Florida law.

Where Contractor's services have been terminated by the Town, the termination will not affect any rights or remedies of the Town against Contractor or any surety then existing, or which may thereafter accrue. Any payment of monies due Contractor by the Town will not release the Contractor from liability for unfinished or defective Work and such payment shall not be evidence of acceptance of any defective Work.

Upon written notice to Contractor, the Town may, without cause and without prejudice to any other right or remedy, elect to abandon the Work and terminate the Contract at the Town's convenience. In such case, Contractor shall be paid for all Work executed and any direct and reasonable expense sustained up to the date of receipt of the written notice. In no event shall Town be liable for consequential damages, including but not limited to, lost profits on Work not yet performed.

5.21 PAYMENT

The payment to Contractor is for all materials, labor, services, equipment and all else necessary to construct and fully complete the Work. The Work includes all accessories, appurtenances or other work required for completion of the Contract.

Contractor shall render all Work to the Town at the quoted price stipulated in the Bid and Bid Schedule and Town shall pay Contractor for the satisfactory and timely completion of the Work in strict accordance with the Contract Documents at said prices stipulated in Bid Schedule.

In no event shall Town be liable for any cost increases or price escalations associated with labor, services, materials, equipment, or any other charges that may arise during the performance of the Work, regardless of any delays in the Work, whether occasioned by Town or Contractor, or both. In the event the cost of the Work exceeds the amounts set forth and included in the Contract Price, Contractor shall pay such excess from its own funds and Town shall not be required to pay any part of such excess. The only exception shall be adjustments to the Contract Price pursuant to any written Change Order or Construction Change Directive executed by Town and Contractor in accordance with the terms and conditions of this IFB and the Contract.

Town and Contractor agree that payment under the Contract will be subject to (a) the delivery of an appropriate invoice or payment application by Contractor to Town, and (b) verification by Town that the Work is acceptable and has been performed in strict accordance with the Contract. Upon

TOWN OF SOUTHWEST RANCHES, FLORIDA
SW 205TH AVENUE AND SW 49TH COURT DRAINAGE PROJECT
IFB NO. 24-003

verification by Town that the invoiced Work has been satisfactorily performed in strict accordance with the Contract, Town shall have thirty (30) days thereafter to pay the invoice, or such undisputed portion as Town shall determine in its sole discretion.

The Town shall pay the Contract Price to the Contractor in accordance with the procedures set forth in chapter 218.70, Florida Statutes, "Local Government Prompt Payment Act." Progress payments may be submitted by Contractor to the Town for partial completion of the Work, but not more than once monthly, for the period ending at end of the month. Each payment request must be accompanied by all necessary supporting information and documentation. Subject to the provisions of section 218.735, Florida Statutes, each progress payment shall be reduced by five (5%) percent for retainage. The final retainage will be released after Final Completion of the Project, after Town's receipt of acceptable reports and other Project-close out documentation required by the Contract Documents, including but not limited to certification of Contractor's payment to all lower-tiered subcontractors and suppliers providing labor, materials, or services on the Project, but no earlier than 30 days of the Contractor's last progress payment request.

The Contractor's final payment request must be accompanied by written notice from Contractor that the entire Work has been completed in strict accordance with the Contract Documents. The Town will make a final inspection and notify Contractor in writing of all particulars in which inspection reveals that the Work is incomplete or defective. Provided however, that nothing herein shall waive or release claims for latent defects or the Contractor's obligations to correct defective work set forth herein. Contractor shall immediately take such measures as are necessary to remedy such deficiencies. Contractor's obligation to perform and complete the Work in strict accordance with the Contract Documents shall be absolute. The Town may refuse payment if (a) the Work is defective or completed Work has been damaged requiring correction or replacement, (b) the Town has been required to correct defective Work or complete Work in accordance with Section 5.20, or (c) because claims have been made against the Town on account of Contractor's performance of the Work or liens or claims have been filed in connection with the Work, or other items entitling the Town to set-off against the amount due. No payment will be made for Work performed by the Contractor to replace defective work and for work which is not shown or ordered, and which is outside the limits shown or ordered, or additional work performed by Contractor without prior written approval of Town. Nothing herein shall be construed as authorizing or consenting to waive sovereign immunity or permitting liens to be asserted against the Town's property.

5.22 ACCEPTANCE AND FINAL PAYMENT

5.22.1 Final Inspection. Upon receipt of written notice from Contractor that the Work is ready for final inspection and acceptance, Town shall conduct an inspection within ten (10) days. If Contract Administrator find that the Work is acceptable; that the requisite documents have been submitted; that the requirements of the Contract Documents are fully satisfied; and that all conditions of the permits and regulatory agencies have been met, a Final Certificate of Payment shall be issued by Town, under its signature, stating that the requirements of the Contract Documents have been performed and that the Work is ready for acceptance under the terms and conditions of the Contract Documents.

TOWN OF SOUTHWEST RANCHES, FLORIDA
SW 205TH AVENUE AND SW 49TH COURT DRAINAGE PROJECT
IFB NO. 24-003

5.22.2 Final Certificate for Payment. Before issuance of the Final Certificate for Payment, Contractor shall deliver to Town the following Final Payment Package: a complete release of all claims arising out of this Contract, or receipts in full in lieu thereof; an affidavit certifying that all suppliers and Subcontractors have been paid in full and that all other indebtedness and financial obligations connected with the Work have been paid, or, in the alternative, a consent of the Surety to final payment on Contractor's behalf; the final corrected as-built Drawings; and the final bill of Materials, if required, and the final Application for Payment. This Final payment package must include the certification document titled Final List of Non-Certified Subcontractors and Suppliers, which must be signed and notarized by Contractor. A list of all noncertified Subcontractors and suppliers used must be attached to this certified document.

5.22.3 Delay of Final Completion. If, after Substantial Completion, Final Completion is materially delayed through no fault of Contractor, and Consultant so certifies, Town shall, upon certification of Town, and without terminating this Contract, make payment of the balance due for any portion of the Work fully completed and accepted. Such payment shall be made under the terms and conditions governing final payment, but it shall not constitute a waiver of claims.

5.23.4 Final Payment. Final payment shall be made only after the Public Works Director or assignee, as applicable, has reviewed a written evaluation of the performance of Contractor and has approved the final payment. The acceptance of final payment shall constitute a waiver of all claims by Contractor, except those previously made in strict accordance with the provisions of the General Conditions and identified by Contractor as unsettled at the time of the application for final payment.

5.23 PURCHASING CARD (PCARD) ACCEPTANCE

The method of payment (check/credit card) is at the Town's sole option. The Town may choose to compensate vendors for goods and/or services via a Town Purchasing Card (PCARD). No other costs or services shall be billed to the Town, and without limiting the generality of the foregoing, vendor shall not impose any service charge or fee, penalty, or other exaction of any kind against payments rendered by the PCARD. Payments made by PCARD shall be accepted on a "same as cash" basis.

5.24 PHYSICAL CONDITIONS

The Town shall furnish the lands upon which the Work is to be performed, including all applicable rights-of-way and easements. Contractor shall have full responsibility with respect to physical conditions in or relating to existing surface and subsurface structures. By submitting its Bid, Contractor represents that it has visited the Site and/or otherwise become generally familiar with such conditions, including any local conditions affecting the Work, and has accounted for same within its Bid.

If during the course of the Work Contractor encounters (1) subsurface or concealed conditions at the Project site that differ materially from those shown in the Contract Documents and from those ordinarily encountered and generally recognized as inherent in work of the character called for in this Contract; or (2) unknown physical conditions of the Project site, of an unusual nature, which

TOWN OF SOUTHWEST RANCHES, FLORIDA
SW 205TH AVENUE AND SW 49TH COURT DRAINAGE PROJECT
IFB NO. 24-003

differ materially from that ordinarily encountered and generally recognized as inherent in work of the character called for in this Contract, then Contractor, without disturbing the conditions and before performing any Work affected by such conditions, shall, within twenty-four (24) hours of their discovery, notify Contract Administrator in writing of the existence of the aforesaid conditions. Contract Administrator shall, within two (2) business days after receipt of Contractor's written notice, investigate the site conditions identified by Contractor. If, in the sole opinion of Contract Administrator, the conditions do materially so differ and cause an increase or decrease in Contractor's cost of, or the time required for, the performance of any part of the Work, whether or not charged as a result of the conditions, Contract Administrator may recommend an equitable adjustment to the Contract Price, or the Contract Time, or both. If Contract Administrator and Contractor cannot agree on an adjustment in the Contract Price or Contract Time, the adjustment shall be referred to Town Administrator for determination in accordance with the provisions of Exhibit "C" Article 12. No request by Contractor for an equitable adjustment to this Contract under this provision shall be allowed unless Contractor has given written notice to Contract Administrator in strict accordance with the provisions of this article. **No request for an equitable adjustment or change to the Contract Price or Contract Time for differing site conditions shall be allowed if made after the date certified by Contract Administrator as the date of Substantial Completion.**

Contractor shall, promptly after becoming aware and before performing any Work, notify the Town of any differing site conditions or conflicts at the site. The Town will review the pertinent conditions with respect to any deletions or revisions in the Work and any potential modifications to the terms and conditions as outlined in Section 5.4 – "Changes in the Work".

Contractor shall have full responsibility for reviewing and checking all information and data, for locating all Underground Facilities, for coordination of the Work with the owners of such Underground Facilities during construction, for the safety and protection thereof as provided in chapter 556, Florida Statutes, and repairing any damage thereto resulting from the Work, the cost of all of which will be considered as having been included in the Contract Price.

5.25 CONTRACTOR'S RESPONSIBILITIES

Contractor shall supervise and direct the Work competently and efficiently, devoting such attention thereto and applying such skills and expertise as may be necessary to perform the Work in accordance with the Contract Documents. Contractor shall be solely responsible for the means, methods, techniques, sequences, procedures, and safety precautions necessary for construction. Contractor shall also be responsible to see that the finished Work strictly complies with the Contract Documents.

Contractor must strictly and promptly follow Town's instructions in every case. Contractor shall keep on the Project a full-time, competent, English-speaking superintendent. The superintendent shall not be changed except with the written consent of Town, unless the superintendent proves to be unsatisfactory to Contractor and ceases to be in its employ. The superintendent shall represent Contractor; all instructions given to the superintendent shall be as binding as if given to Contractor. Contractor shall provide efficient supervision of the Work, using its best skill and attention. The

TOWN OF SOUTHWEST RANCHES, FLORIDA
SW 205TH AVENUE AND SW 49TH COURT DRAINAGE PROJECT
IFB NO. 24-003

The President/Chief Operating Officer of the contracting firm must be available to attend meetings with the Town and/or its designee within 24 hours of notification.

Contractor shall be responsible for initiating, maintaining, and supervising all safety precautions and programs in connection with the Work and shall comply with all O.S.H.A. safety requirements while performing the Work. At a minimum, all personnel performing the work subject to this IFB and Contract awarded will be required to wear safety equipment and clothing appropriate for the work, which may, for example, include Level 2 International Safety Equipment Association (ISEA) approved vests. Any personnel improperly prepared shall be dismissed until proper equipment is secured.

On a daily basis, Contractor's superintendent shall record, at a minimum, the following information in a bound log: the day; date; weather conditions and how any weather condition affected progress of the Work; time of commencement of Work for the day; the Work being performed; materials, labor, personnel, equipment and Subcontractors at the Project site; visitors to the Project site, including representatives of Town, or regulatory representatives; any event that caused or contributed a delay to the critical path of the Project; any special or unusual conditions or occurrences encountered; and the time of termination of Work for the day. All information shall be recorded in the daily log in ink, unless otherwise approved by Town. The daily log shall be kept on or accessible from the Project site and shall be available at all times for inspection and copying by Town.

The Contract Administrator, and Contractor shall meet at least every two (2) weeks (or as otherwise determined by the Contract Administrator) during the course of the Work to review and agree upon the Work performed to date and to establish the controlling items of Work for the next two (2) weeks. Contractor shall publish, keep, and distribute minutes and any comments thereto of each such meeting.

If Contractor, in the course of performing the Work, finds any discrepancy between this Contract and the physical conditions of the locality, or any errors, omissions, or discrepancies in this Contract, it shall be Contractor's duty to immediately inform Town, in writing. Any Work done after such discovery, until authorized, will be done at Contractor's sole risk, without entitlement to reimbursement or compensation.

Contractor shall supervise and direct the Work competently and efficiently, devoting such attention thereto and applying such skills and expertise as may be necessary to perform the Work in accordance with this Contract. Contractor shall be solely responsible for the means, methods, techniques, sequences, and procedures of construction.

All debris removed from the Town must be legally disposed of according to the Town's Code of Ordinances and in accordance with Local, State and Federal Regulations. Contractor hereby agrees to and shall indemnify, defend, and hold harmless the Town, its officers and employees, from liabilities, damages, losses, costs, and expenses, including, but not limited to, reasonable attorney's fees, at both the trial and appellate levels, to the extent caused by Contractor's improper disposal or site cleanup or failure to comply with any applicable environmental laws.

TOWN OF SOUTHWEST RANCHES, FLORIDA
SW 205TH AVENUE AND SW 49TH COURT DRAINAGE PROJECT
IFB NO. 24-003

If the Bidder intends to use sub-contractors to perform any work pursuant to the IFB, these sub-contractors are subject to prior approval by Town. Contractor shall be fully responsible to Town for all acts and omissions of any sub-contractors, suppliers and other persons and organizations performing or furnishing any of the Work under a direct or indirect contract with Contractor just as Contractor is responsible for Contractor's own acts and omissions. Nothing in the Contract Documents shall create any contractual relationship between Town and any such sub-contractor, supplier or other person or organization, nor shall it create any obligation on the part of the Town to pay or see to payment of any monies due any such sub-contractor, supplier or other person or organization.

All Work shall be done according to local laws and ordinances and shall be performed during regular working hours. During the progress of the Work, Contractor shall keep the Project site and premises free from accumulations of waste materials, rubbish and other debris resulting from the Work. At the completion of the Work, Contractor shall remove all waste materials, rubbish, and debris from and about the premises as well as all tools, construction equipment and machinery, and surplus materials and shall leave the site clean and ready for use by the Town. Contractor shall restore to original condition all property not designated for alteration by the Contract Documents.

Contractor shall take all necessary precautions for the safety of, and shall provide the necessary protection to prevent damage, injury, or loss to other property at the Project site or adjacent thereto, including trees, shrubs, lawns, walks, pavements, roadways, structures, utilities and other items not designated for removal, relocation, replacement or improvement in the course of construction.

As set forth in the terms of this IFB, Contractor shall pay all sales, consumer, use and other similar taxes and should not include taxes in Bid prices. The Town is exempt from Florida sales tax on direct purchases of tangible property or services. Also, it is the responsibility of the Contractor to procure all necessary permits and licenses the cost of which shall be deemed included in the Bid price.

5.26 INSURANCE AND BONDS

Throughout the term of the Contract and for all applicable statutes of limitation periods, Contractor shall maintain in full force and effect all of the insurance coverages as set forth in the terms of this IFB. Also, the Contractor shall provide separate Payment and Performance Bonds for the Project that in all respects comply with (a) the requirements and forms set forth in Florida Statutes, Section 255.05 and (b) the terms of this IFB regarding the amount, duration and recording requirements.

5.27 EQUIPMENT

All equipment shall be maintained in an efficient and safe operating condition while performing Work under the Contract. Equipment shall have all proper safety devices required by law, properly maintained and in use at all times. If equipment does not contain proper safety devices and/or is being operated in an unsafe manner, the Town may direct the Contractor to remove such equipment and/or the operator until the deficiency is corrected; provided however, that nothing in this

TOWN OF SOUTHWEST RANCHES, FLORIDA
SW 205TH AVENUE AND SW 49TH COURT DRAINAGE PROJECT
IFB NO. 24-003

paragraph shall create a duty by the Town to Contractor or anyone else to exercise this right. The Contractor shall be solely responsible and liable for injury to persons, and/or property damage caused by performance of the Work and operation of the equipment.

5.28 EQUIPMENT STORAGE AND MOBILIZATION

The Contractor must be fully capable of servicing the Town's needs and providing all of the materials and equipment to fulfill the requirements of the Contract Documents and shall be responsible for the storage of all materials and equipment at Contractor's sole expense. Storage shall not be permitted at any of the sites specified herein or at/on any other Town properties.

5.29 HOURS OF OPERATION

The Contractor shall perform work Monday through Friday, except Holidays, between 7:00 a.m. and 5:00 p.m.

5.30 CONTRACTOR'S PERFORMANCE

The Contractor shall commence performance of the Work identified in the Notice to Proceed or other written authorization on the effective date of the Notice to Proceed and shall diligently and continuously prosecute its performance to and until Substantial Completion and Final Completion of the Work. The Contractor shall accomplish Substantial Completion and Final Completion of each assigned task within the allotted calendar days indicated in the Notice to Proceed.

The undersigned, as Bidder, hereby declares that the only person or persons interested in the bid as Principal or Principals is/are named herein and that no other person than herein mentioned has any interest in this Bid or in the Contract to be entered into; that this Bid is made without connection with any other person, company or parties making a bid or proposal; and that it is in all respects fair and in good faith without collusion or fraud.

The Bidder shall furnish prices for all Bid items. Failure to do so may render the Bid invalid and cause its rejection. The Bidder shall also furnish evidence that they hold appropriate licenses to perform the Work which is the subject of this Bid, and as required by Florida Statutes and Local law. Bidders must also have the insurances and any applicable bonding capacity sufficient to satisfy the requirements of this solicitation, as set forth herein.

All applicable federal, state, and local taxes, permit fees, insurance, and performance and payment bonds are included in the Bid price. In the event of any discrepancy in the line item amounts, the calculated total shall control.

Both the Bidder and the licensee shall fill in the information on next page, pursuant to chapter 489, Florida Statutes. Licensee is defined as the person who is the licensed Contractor who qualifies the Bidding Company, Corporation or Partnership. If the Bidder is an individual, he must be licensed. (Please print or type, excluding signatures).

[Remainder of page intentionally left blank]

TOWN OF SOUTHWEST RANCHES, FLORIDA
SW 205TH AVENUE AND SW 49TH COURT DRAINAGE PROJECT
IFB NO. 24-003

APPENDIX A
BIDDER INFORMATION

[Please print clearly]

NAME: _____

ADDRESS: _____

FEIN: _____ CAGE: _____

LICENSE NUMBER: _____ STATE OR COUNTY: _____

LICENSE TYPE: _____
(Attach copy of license)

LICENSE LIMITATIONS, IF ANY: _____
(Attach a separate sheet, if necessary)

LICENSEE SIGNATURE: _____

LICENSEE NAME: _____

BIDDER'S SIGNATURE: _____

BIDDER'S NAME: _____

BIDDER'S ADDRESS: _____

BIDDER'S PHONE NUMBER: Office: _____ Cell: _____

BIDDER'S EMAIL ADDRESS: _____

By: _____

Name of Corporation/Entity

Address of Corporation/Entity

Signature of President or Authorized Principal

By: _____

Title: _____ (If the Bidder is a Corporation, affix corporate seal)

TOWN OF SOUTHWEST RANCHES, FLORIDA
 SW 205TH AVENUE AND SW 49TH COURT DRAINAGE PROJECT
 IFB NO. 24-003

**APPENDIX B
 BID SCHEDULE**

The undersigned hereby proposes to furnish all labor, equipment, and materials necessary to complete the work in strict accordance with the Contract Documents, schedules and plans, and all addendums, if issued, for the lump sum price shown below.

<i>SW 205th Ave, and SW 49th Court</i>		SCHEDULE OF VALUES			
Stormwater - Roadway Improvements					
Item #	Description	Quantity	Unit	Unit Price	Total
A Stormwater and Canal Improvements					
1	Clearing and Grubbing	0.11	AC		
2	Regular Excavation	130	C.Y.		
3	Swale Excavation and Regrade	173	C.Y.		
4	Pipe Culvert HDPE, Round, 15"	292	L.F.		
5	Catch Basin Type "C" 24"x37"	1	L.F.		
6	ADS 24" basin with Concrete collar	2	L.F.		
7	Performance Turf/Sod	522	S.Y.		
	Subtotal Stormwater and Canal Improvements				\$
B Driveway Improvements					
1	Removal of Asphalt	18	S.Y.		
2	Superpave Asphaltic Concrete, Traffic C, SP-9.5 (1.0")	18	S.Y.		
3	Asphalt Concrete Friction Course, Traffic C, FC-12.5, PG 76-22, (1.0")	18	S.Y.		
4	Base, Base Group 06 (8")	20	S.Y.		
5	Sub Base Type B Stabilization (12")	23	S.Y.		
	Subtotal Driveway Improvements				\$
C Miscellaneous Construction Cost					
1	General Requirements Lump sum including surveying, Testing, stake-out and as-built drawings	1	LS		
2	Contractor Mobilization and Demobilization Lump sum for the cost of mobilizing and demobilizing contractors equipment and personnel for this project	1	LS		

TOWN OF SOUTHWEST RANCHES, FLORIDA
 SW 205TH AVENUE AND SW 49TH COURT DRAINAGE PROJECT
 IFB NO. 24-003

3	Stormwater Pollution Prevention Including furnish, install and remove inlet protection system and Silt fence within and adjacent to the project site	1	LS		
4	Maintenance of Traffic Lump sum for the cost of installing, maintaining through construction, and removing appropriate maintenance of traffic measures to ensure the safety of all vehicles and pedestrians passing the project site during construction of this project	1	LS		
5	Pavement and Markings Existing Stripping removal, Traffic Sign relocation and adjustments, required re-stripe due to sign relocation	1	LS		
Subtotal Miscellaneous Construction Cost					\$
TOTAL BID AMOUNT					\$

TOTAL BID AMOUNT (IN WORDS) _____

BIDDER'S NAME: _____

BIDDER'S SIGNATURE: _____

BIDDER'S DATE: _____

TOWN OF SOUTHWEST RANCHES, FLORIDA
SW 205TH AVENUE AND SW 49TH COURT DRAINAGE PROJECT
IFB NO. 24-003

APPENDIX C
DISCLOSURE OF OWNERSHIP INTEREST

TO: TOWN OF SOUTHWEST RANCHES
OFFICIALLY DESIGNATED REPRESENTATIVE

STATE OF FLORIDA

COUNTY OF _____

BEFORE ME, the undersigned authority, this day personally appeared _____, hereinafter referred to as "Affiant," who being by me first duly sworn, under oath, deposes and states as follows:

1. Affiant appears herein as:

an individual **or**

the _____ of _____.

[position-e.g., sole proprietor, president, partner, etc.] [name & type of entity—e.g., ABC Corp., XYZ Ltd. Partnership, etc.]. The Affiant or the entity the Affiant represents herein seeks to do business with the Town of Southwest Ranches through its Town Council.

2. Affiant's address is:

3. Attached hereto as Exhibit "A" is a complete listing of the names and addresses of every person or entity having a five percent (5%) or greater interest in the Affiant's corporation, partnership, or other principal. Disclosure does not apply to nonprofit corporations, government agencies, or to an individual's or entity's interest in any entity registered with the Federal Securities Exchange Commission or registered pursuant to Chapter 517, Florida Statutes, whose interest is for sale to the general public.

4. Affiant acknowledges that this Affidavit is given to comply with the Town of Southwest Ranches policy and will be relied upon by the Town of Southwest Ranches. Affiant further acknowledges that he or she is authorized to execute this document on behalf of the entity identified in paragraph one, if any.

5. Affiant further states that Affiant is familiar with the nature of an oath and with the penalties provided by the laws of the State of Florida for falsely swearing to statements under oath.

6. Under penalty of perjury, Affiant declares that Affiant has examined this Affidavit and to the best of Affiant's knowledge and belief it is true, correct and complete.

TOWN OF SOUTHWEST RANCHES, FLORIDA
SW 205TH AVENUE AND SW 49TH COURT DRAINAGE PROJECT
IFB NO. 24-003

FURTHER AFFIANT SAYETH NAUGHT.

_____, Affiant
(Print Affiant Name)

The foregoing instrument was acknowledged before me by means of

physical presence or online notarization,

this ___ day of _____, 2024,

by _____ (name of person acknowledging).

Notary Public

(Print Notary Name)

State of _____ at Large

My Commission Expires: _____

(Printed, typed, or stamped commissioned name of notary public)

TOWN OF SOUTHWEST RANCHES, FLORIDA
SW 205TH AVENUE AND SW 49TH COURT DRAINAGE PROJECT
IFB NO. 24-003

APPENDIX D
DRUG FREE WORKPLACE

Bidders must certify that they will provide a drug-free workplace. In order to have a drug-free workplace program, a business shall:

- 1) Publish a statement notifying employees that the unlawful manufacture, distribution, dispensing, possession, or use of a controlled substance is prohibited in the workplace and specifying the actions that will be taken against employees for violations of such prohibition.
- 2) Inform employees about the dangers of drug abuse in the workplace, the business's policy of maintaining a drug-free workplace, any available drug counseling, rehabilitation, and employee assistance programs, and the penalties that may be imposed upon employees for drug abuse violations.
- 3) Give each employee engaged in providing the commodities or contractual services that are under bid a copy of the statement specified in subsection (1).
- 4) In the statement specified in subsection (1), notify the employees that, as a condition of working on the commodities or contractual services that are under bid, the employee will abide by the terms of the statement and will notify the employer of any conviction of, or plea of guilty or nolo contendere to, any violation of chapter 893 or of any controlled substance law of the United States or any state, for a violation occurring in the workplace no later than five (5) days after such conviction or plea.
- 5) Impose a sanction on (or require the satisfactory participation in a drug abuse assistance or rehabilitation program, if such is available in the employee's community), any employee who is so convicted or takes a plea.
- 6) Make a good faith effort to continue to maintain a drug-free workplace through implementation of this section.

As the person authorized to sign the statement, I certify that this firm complies fully with the above requirements.

BIDDER'S SIGNATURE: _____

BIDDER: _____

TOWN OF SOUTHWEST RANCHES, FLORIDA
SW 205TH AVENUE AND SW 49TH COURT DRAINAGE PROJECT
IFB NO. 24-003

APPENDIX E
FLORIDA STATUTES ON PUBLIC ENTITY CRIMES
SWORN STATEMENT PURSUANT TO SECTION 287.133(3) (A)

THIS FORM MUST BE SIGNED AND SWORN TO IN THE PRESENCE OF A NOTARY PUBLIC OR OTHER OFFICIAL AUTHORIZED TO ADMINISTER OATHS.

1. This sworn statement is submitted to _____
by _____
for _____
whose business address is _____

_____ and (if applicable) its Federal Employer Identification Number (FEIN) is _____

2. I understand that a “public entity crime” as defined in Paragraph 287.133(1)(g), Florida Statutes, means a violation of any state or federal law by a person with respect to and directly related to the transaction of business with any public entity or with an agency or political subdivision of any other state or with the United States, including, but not limited to, any bid, proposal, reply or contract for goods or services, any lease for real property, or any contract for the construction or repair of a public building or public work, involving antitrust, fraud, theft, bribery, collusion, racketeering, conspiracy, or material misrepresentation.
3. I understand that “convicted” or “conviction” as defined in Para. 287.133(1) (b), Florida Statutes, means a finding of guilt or a conviction of a public entity crime, with or without an adjudication of guilt, in any federal or state trial court of record relating to charges brought by indictment or information after July 1, 1989, as a result of a jury verdict, non-jury trial, or entry of a plea of guilty or nolo contendere.
4. I understand that an “affiliate” as defined in Para. 287.133(1) (a), Florida Statutes, means:
- (i). A predecessor or successor of a person convicted of a public entity crime; or
 - (ii). An entity under the control of any natural person who is active in the management of the entity and who has been convicted of a public entity crime. The term “affiliate” includes those officers, directors, executives, partners, shareholders, employees, members, and agents who are active in the management of an affiliate. The ownership by one person of shares constituting a controlling interest in another person, or a pooling of equipment or income among persons when not for fair market value under an arm’s length agreement, shall be a prima facie case that one person controls another person. A person who

TOWN OF SOUTHWEST RANCHES, FLORIDA
SW 205TH AVENUE AND SW 49TH COURT DRAINAGE PROJECT
IFB NO. 24-003

knowingly enters into a joint venture with person who has been convicted of a public entity crime in Florida during the preceding 36 months shall be considered an affiliate.

5. I understand that a “person” as defined in Para. 287.133(1) (e), Florida Statutes, means any natural person or entity organized under the laws of any state or of the United States with the legal power to enter into a binding contract and which bids or applies to bid on contracts for the provision of goods or services let by a public entity, or which otherwise transacts or applies to transact business with a public entity. The term “person” includes those officers, directors, executives, partners, shareholders, employees, members, and agents who are active in management of an entity.
6. The statement which I have marked below is true in relation to the entity submitting this sworn statement. (Indicate which statement applies.)

_____ Neither the entity submitting this sworn statement, nor any of its officers, directors, executives, partners, shareholders, employees, members, or agents who are active in the management of the entity, nor any affiliate of the entity has been charged with and convicted of a public entity crime subsequent to July 1, 1989.

_____ The entity submitting this sworn statement, or one or more of its officers, directors, executives, partners, shareholders, employees, members, or agents who are active in the management of the entity or an affiliate of the entity has been charged with and convicted of a public entity crime subsequent to July 1, 1989.

However, there has been a subsequent proceeding before a Hearing Officer of the State of Florida, Division of Administrative Hearings and the Final Order entered by the Hearing Officer of the State of Florida, Division of Administrative Hearings and the Final Order entered by the Hearing Officer determined that it was not in the public interest to place the entity submitting this sworn statement on the convicted vendor list. (Attach a copy of the final order)

I UNDERSTAND THAT THE SUBMISSION OF THIS FORM TO THE CONTRACTING OFFICER FOR THE PUBLIC ENTITY IDENTIFIED IN PARAGRAPH 1 (ONE) ABOVE IS FOR THAT PUBLIC ENTITY ONLY AND, THAT THIS FORM IS VALID THROUGH DECEMBER 31 OF THE CALENDAR YEAR IN WHICH IT IS FILED. I ALSO UNDERSTAND THAT I AM REQUIRED TO INFORM THE PUBLIC ENTITY PRIOR TO ENTERING INTO A CONTRACT IN EXCESS OF THE THRESHOLD AMOUNT PROVIDED IN SECTION 287.017, FLORIDA STATUTES, FOR CATEGORY TWO, OF ANY CHANGE IN THE INFORMATION CONTAINED IN THIS FORM.

[Signatures on next page]

TOWN OF SOUTHWEST RANCHES, FLORIDA
SW 205TH AVENUE AND SW 49TH COURT DRAINAGE PROJECT
IFB NO. 24-003

BIDDER: _____

By: _____

(Printed Name)

(Title)

The foregoing instrument was acknowledged before me by means of

physical presence or online notarization,

this ___ day of _____, 2024,

by _____ (name of person acknowledging).

Notary Public

(Print Notary Name)

State of _____ at Large

(Printed, typed, or stamped commissioned name of notary public)

TOWN OF SOUTHWEST RANCHES, FLORIDA
SW 205TH AVENUE AND SW 49TH COURT DRAINAGE PROJECT
IFB NO. 24-003

APPENDIX F
NON-COLLUSION AFFIDAVIT

State of _____)

) ss:

County of _____)

_____ being first duly sworn deposes and says that:

- (1) He/She is the _____ (Owner, Partner, Officer, Representative or Agent) of _____ the Bidder that has submitted the attached Bid;
- (2) He/She is fully informed with respect to the preparation and contents of the attached Bid and of all pertinent circumstances respecting such Bid;
- (3) Such Bid is genuine and is not a collusive or sham Bid;
- (4) Neither the said Bidder nor any of its officers, partners, owners, agents, representatives, employees or parties in interest, including this affiant, have in any way colluded, conspired, connived or agreed, directly or indirectly, with any other Bidder, firm, or person to submit a collusive or sham Bid in connection with the Work for which the attached Bid has been submitted; or to refrain from bidding in connection with such Work; or have in any manner, directly or indirectly, sought by agreement or collusion, or communication, or conference with any Bidder, firm, or person to fix any overhead, profit, or cost elements of the Bid or of any other Bidder, or to fix any overhead, profit, or cost elements of the Bid price or the Bid price of any other Bidder, or to secure through any collusion, conspiracy, connivance, or unlawful agreement any advantage against (Recipient), or any person interested in the proposed Work;
- (5) The price or prices quoted in the attached Bid are fair and proper and are not tainted by any collusion, conspiracy, connivance, or unlawful agreement on the part of the Bidder or any other of its agents, representatives, owners, employees or parties in interest, including this affiant.

[Signatures on next page]

TOWN OF SOUTHWEST RANCHES, FLORIDA
SW 205TH AVENUE AND SW 49TH COURT DRAINAGE PROJECT
IFB NO. 24-003

BIDDER: _____

By: _____

(Printed Name)

(Title)

The foregoing instrument was acknowledged before me by means of

physical presence or online notarization,

this ___ day of _____, 2024,

by _____ (name of person acknowledging).

Notary Public

(Print Notary Name)

State of _____ at Large

My Commission Expires: _____

(Printed, typed, or stamped commissioned name of notary public)

TOWN OF SOUTHWEST RANCHES, FLORIDA
SW 205TH AVENUE AND SW 49TH COURT DRAINAGE PROJECT
IFB NO. 24-003

APPENDIX G
ANTI-LOBBYING CERTIFICATION FORM

1. The prospective participant certifies to the best of his or her knowledge and belief, that:
 - a. No Federal appropriated funds have been paid or will be paid, by or on behalf of the undersigned, to any person for influencing or attempting to influence an officer or employee of any Federal agency, a Member of Congress, an officer or employee of Congress, or an employee of a Member of Congress in connection with the awarding of any Federal contract, the making of any Federal grant, the making of any Federal loan, the entering into of any cooperative agreement, and the extension, continuation, renewal, amendment, or modification of any Federal contract, grant, loan, or cooperative agreement.
 - b. If any funds other than Federal appropriated funds have been paid or will be paid to any person for influencing or attempting to influence an officer or employee of any Federal agency, a Member of Congress, an officer or employee of Congress, or an employee of a Member of Congress in connection with this Federal contract, grant, loan, or cooperative agreement, the undersigned shall complete and submit Standard Form-LLL, "Disclosure Form to Report Lobbying," in accordance with its instructions.
2. This certification is a material representation of fact upon which reliance was placed when this transaction was made or entered into. Submission of this certification is a prerequisite for making or entering into this transaction imposed by 31 U.S.C. 1352. Any person who fails to file the required certification shall be subject to a civil penalty of not less than \$10,000 and not more than \$100,000 for each such failure.
3. The prospective participant also agrees by submitting its bid or proposal that the participant shall require that the language of this certification be included in all lower tier subcontracts, which exceed \$100,000 and that all such recipients shall certify and disclose accordingly.

Organization: _____

Street address: _____

City, State, Zip: _____

Certified By: _____ (type or print)

Title: _____

Signature: _____ Date: _____

TOWN OF SOUTHWEST RANCHES, FLORIDA
SW 205TH AVENUE AND SW 49TH COURT DRAINAGE PROJECT
IFB NO. 24-003

APPENDIX H
BIDDER CONFIRMATION OF QUALIFICATIONS

The Contract will be awarded only to a responsible and eligible Bidder, qualified by experience and capable of providing required insurance, and bonds and in a financial position to do the Work specified within the Invitation for Bids, and which can complete the Work within the time schedule specified.

At the time of the Bid, the Bidder shall hold all Contractor and other qualification certificates and licenses required to be held by the Contractor by Florida Statutes or ordinances of the Town of Southwest Ranches and Broward County in order to perform the Work which is the subject of this Invitation for Bids.

All license, certificate and experience requirements must be met by the Bidder (as opposed to the Subcontractor) at the time of Bid submission. Bids submitted by Bidders who do not directly hold required licenses and certificates or who rely on a Subcontractor to meet the license, certificate or experience criteria will be rejected. By executing this Form and submitting its Bid, Bidder represents that it meets the requirements set forth above, and as set forth in the Bid Documents, and acknowledges and understands that such representation is material and that the Town shall be relying on this representation with respect to a Contract award.

Bidder: _____

Bidder's Name: _____

Bidder's Address: _____

Bidder's Phone Number: _____

Bidder's Email: _____

Contractor's License and License number(s) (attach copies of license(s) required for the work described in this IFB):

[Signatures on next page]

TOWN OF SOUTHWEST RANCHES, FLORIDA
SW 205TH AVENUE AND SW 49TH COURT DRAINAGE PROJECT
IFB NO. 24-003

State of Florida

County of _____

The foregoing instrument was acknowledged before me by means of

physical presence or online notarization,

this ___ day of _____, 2024,

by _____ (name of person acknowledging).

Notary Public

(Print Notary Name)

State of _____ at Large

My Commission Expires: _____

(Printed, typed, or stamped commissioned name of notary public)

BIDDER: _____

TOWN OF SOUTHWEST RANCHES, FLORIDA
SW 205TH AVENUE AND SW 49TH COURT DRAINAGE PROJECT
IFB NO. 24-003

***APPENDIX I**
CERTIFICATE OF AUTHORITY (IF INDIVIDUAL / SOLE PROPRIETOR)

State of _____)

) ss:

County of _____)

I HEREBY CERTIFY that _____, as Principal or Owner
of (Company name) _____, is hereby authorized to execute the
Bid dated

_____20____, to the Town of Southwest Ranches and his execution thereof, attested by
the undersigned, shall be the official act and deed of _____.
(Company Name)

IN WITNESS WHEREOF, I have hereunto set my hand this _____ day of _____,
20____.

Secretary:

(SEAL)

BIDDER: _____

TOWN OF SOUTHWEST RANCHES, FLORIDA
SW 205TH AVENUE AND SW 49TH COURT DRAINAGE PROJECT
IFB NO. 24-003

BIDDER: _____

By: _____

Title: _____

IN PRESENCE OF: _____
(Individual or Partnership Principal)

(SEAL)

(Business Address)

(City/State/Zip)

(Business Phone)

SURETY: _____

By: _____

(SEAL)

(Business Address)

(City/State/Zip)

(Business Phone)

IMPORTANT

Surety companies executing bonds must appear on the Treasury Department's most current list (circular 570 as amended) and be authorized to transact business in the State of Florida.

Countersigned by Florida Agent: _____

Name: _____

Date: _____

TOWN OF SOUTHWEST RANCHES, FLORIDA
SW 205TH AVENUE AND SW 49TH COURT DRAINAGE PROJECT
IFB NO. 24-003

APPENDIX N
GOVERNMENTAL CONTACT INFORMATION

Please list **NAME OF AGENCY, ADDRESS, PHONE NUMBER, CONTACT PERSON and EMAIL** of any other Governmental Agencies or Quasi-governmental agencies for which you have conducted business on similar project within the past five years.

NAME OF AGENCY	ADDRESS	PHONE NUMBER	CONTACT PERSON & EMAIL

BIDDER: _____

TOWN OF SOUTHWEST RANCHES, FLORIDA
SW 205TH AVENUE AND SW 49TH COURT DRAINAGE PROJECT
IFB NO. 24-003

APPENDIX O
ACKNOWLEDGMENT OF CONFORMANCE WITH O.S.H.A. STANDARDS

TO THE TOWN OF SOUTHWEST RANCHES:

_____, hereby acknowledges and agrees that as Contractor for the Town of Southwest Ranches within the limits of the Town of Southwest Ranches, Florida, we have the sole responsibility for compliance with all requirements of the Federal Occupational Safety and Health regulations, and agree to indemnify and hold harmless the Town of Southwest Ranches, including its Council Members, officers and employees, from and against any and all legal liability or loss the Town may incur due to _____'s failure to comply with such regulations.

ATTEST

CONTRACTOR

BY: _____

Print Name

Date: _____

BIDDER: _____

TOWN OF SOUTHWEST RANCHES, FLORIDA
SW 205TH AVENUE AND SW 49TH COURT DRAINAGE PROJECT
IFB NO. 24-003

APPENDIX P
BIDDER EXPERIENCE QUESTIONNAIRE

The Bidder's response to this questionnaire will be utilized as part of the Town's Bid Evaluation and Contractor selection. Bidders must have current licensures applicable to this type of work and must have experience on comparable work.

List comparable contract experience and provide letters of reference:

Project Name: _____
Contract Amount: _____
Contract Date: _____
Client Name: _____
Address: _____
Contact Person: _____
Contact Person Tel. No.: _____
Contact Person Email: _____

Project Name: _____
Contract Amount: _____
Contract Date: _____
Client Name: _____
Address: _____
Contact Person: _____
Contact Person Tel. No.: _____
Contact Person Email: _____

Project Name: _____
Contract Amount: _____
Contract Date: _____
Client Name: _____
Address: _____
Contact Person: _____
Contact Person Tel. No.: _____
Contact Person Email: _____

TOWN OF SOUTHWEST RANCHES, FLORIDA
SW 205TH AVENUE AND SW 49TH COURT DRAINAGE PROJECT
IFB NO. 24-003

APPENDIX Q
SUB-CONTRACTOR LIST

In the form below, the Bidder shall list all Subcontractors to be used on this project if the Bidder is awarded the Contract for this project. This list shall not be amended without the prior written consent of Town.

<u>CLASSIFICATION OF WORK</u>	<u>NAME</u>	<u>ADDRESS</u>

BIDDER: _____

TOWN OF SOUTHWEST RANCHES, FLORIDA
SW 205TH AVENUE AND SW 49TH COURT DRAINAGE PROJECT
IFB NO. 24-003

APPENDIX R

ACKNOWLEDGEMENT OF ADDENDA

Bidder acknowledges receipt of all addenda by initialing/dating below for each addendum received:

Addendum No. 1 _____

Addendum No. 2 _____

Addendum No. 3 _____

Addendum No. 4 _____

BIDDER: _____

[Remainder of page intentionally left blank]

TOWN OF SOUTHWEST RANCHES, FLORIDA
SW 205TH AVENUE AND SW 49TH COURT DRAINAGE PROJECT
IFB NO. 24-003

APPENDIX S

LIABILITY CLAIMS

Please list the following information for all Liability Claims for the past ten (10) years:

1. Name and Location of project: _____

2. Contact information for Project Owner:
 - a. Name: _____
 - b. Address: _____
 - c. Phone: _____
 - d. Email: _____

3. Nature of Claim: _____

4. Date of Claim: _____

5. Resolution Date of Claim and how resolved: _____

6. If applicable:
 - a. Court Case Number: _____
 - b. County: _____
 - c. State: _____

BIDDER: _____

TOWN OF SOUTHWEST RANCHES, FLORIDA
SW 205TH AVENUE AND SW 49TH COURT DRAINAGE PROJECT
IFB NO. 24-003

APPENDIX T

CERTIFICATION PURSUANT TO FLORIDA STATUTE § 287.135

_____ does not:

(Name of Bidding Firm)

1. Participate in a boycott of Israel; and
2. Is not on the Scrutinized Companies that Boycott Israel list; and
3. Is not on the Scrutinized Companies with Activities in Sudan List; and
4. Is not on the Scrutinized Companies with Activities in the Iran Petroleum Energy Sector List; and
5. Has not engaged in business operations in Cuba or Syria.

Organization: _____

Street address: _____

City, State, Zip: _____

Certified By: _____

(type or print)

Title: _____

Signature: _____ Date: _____

APPENDIX U
INSERT W – 9

Must be current, signed, dated and legible W-9

Linked: [Form W-9 \(Rev. March 2024\) \(irs.gov\)](https://www.irs.gov/pub/irs-pdf/fw9.pdf)

<https://www.irs.gov/pub/irs-pdf/fw9.pdf>

TOWN OF SOUTHWEST RANCHES, FLORIDA
SW 205TH AVENUE AND SW 49TH COURT DRAINAGE PROJECT
IFB NO. 24-003

APPENDIX V

INSERT PROOF OF INSURANCE

TOWN OF SOUTHWEST RANCHES, FLORIDA
SW 205TH AVENUE AND SW 49TH COURT DRAINAGE PROJECT
IFB NO. 24-003

APPENDIX W

AFFIDAVIT OF COMPLIANCE WITH FOREIGN ENTITY LAWS

The undersigned, on behalf of the entity listed below ("Entity"), hereby attests under penalty of perjury as follows:

1. Entity is not owned by the government of a foreign country of concern as defined in Section 287.138, Florida Statutes. (Source: § 287.138(2)(a), Florida Statutes)
2. The government of a foreign country of concern does not have a controlling interest in Entity. (Source: § 287.138(2)(b), Florida Statutes)
3. Entity is not organized under the laws of, and does not have a principal place of business in, a foreign country of concern. (Source: § 287.138(2)(c), Florida Statutes)
4. Entity is not owned or controlled by the government of a foreign country of concern, as defined in Section 692.201, Florida Statutes. (Source: § 288.007(2), Florida Statutes)
5. Entity is not a partnership, association, corporation, organization, or other combination of persons organized under the laws of or having its principal place of business in a foreign country of concern, as defined in Section 692.201, Florida Statutes, or a subsidiary of such entity. (Source: § 288.007(2), Florida Statutes)
6. Entity is not a foreign principal, as defined in Section 692.201, Florida Statutes. (Source: § 692.202(5)(a)(1), Florida Statutes)
7. Entity is in compliance with all applicable requirements of Sections 692.202, 692.203, and 692.204, Florida Statutes.
8. *(Only applicable if purchasing real property)* Entity is not a foreign principal prohibited from purchasing the subject real property. Entity is either (a) not a person or entity described in Section 692.204(1)(a), Florida Statutes, or (b) authorized under Section 692.204(2), Florida Statutes, to purchase the subject property. Entity is in compliance with the requirements of Section 692.204, Florida Statutes. (Source: §§ 692.203(6)(a), 692.204(6)(a), Florida Statutes)
9. The undersigned is authorized to execute this affidavit on behalf of Entity.

Date: _____, 20__

Signed:

Entity:

Name:

Title:

[Signatures on next page]

TOWN OF SOUTHWEST RANCHES, FLORIDA
SW 205TH AVENUE AND SW 49TH COURT DRAINAGE PROJECT
IFB NO. 24-003

State of Florida

County of _____

The foregoing instrument was acknowledged before me by means of

physical presence or online notarization,

this ___ day of _____, 2024,

by _____ (name of person acknowledging).

Notary Public

(Print Notary Name)

State of _____ at Large

My Commission Expires: _____

(Printed, typed, or stamped commissioned name of notary public)

BIDDER: _____

TOWN OF SOUTHWEST RANCHES, FLORIDA
SW 205TH AVENUE AND SW 49TH COURT DRAINAGE PROJECT
IFB NO. 24-003

APPENDIX X
44 C.F.R. PART 18 - CERTIFICATION REGARDING LOBBYING

Certification for Contracts, Grants, Loans, and Cooperative Agreements

The undersigned certifies, to the best of his or her knowledge and belief, that:

1. No Federal appropriated funds have been paid or will be paid, by or on behalf of the undersigned, to any person for influencing or attempting to influence an officer or employee of an agency, a Member of Congress, an officer or employee of Congress, or an employee of a Member of Congress in connection with the awarding of any Federal contract, the making of any Federal grant, the making of any Federal loan, the entering into of any cooperative agreement, and the extension, continuation, renewal, amendment, or modification of any Federal contract, grant, loan, or cooperative agreement.
2. If any funds other than Federal appropriated funds have been paid or will be paid to any person for influencing or attempting to influence an officer or employee of any agency, a Member of Congress, an officer or employee of Congress, or an employee of a Member of Congress in connection with this Federal contract, grant, loan, or cooperative agreement, the undersigned shall complete and submit Standard Form-LLL, "Disclosure Form to Report Lobbying," in accordance with its instructions.
3. The undersigned shall require that the language of this certification be included in the award documents for all subawards at all tiers (including subcontracts, subgrants, and contracts under grants, loans, and cooperative agreements) and that all subrecipients shall certify and disclose accordingly.

This certification is a material representation of fact upon which reliance was placed when this transaction was made or entered into. Submission of this certification is a prerequisite for making or entering into this transaction imposed by section 1352, title 31, U.S. Code. Any person who fails to file the required certification shall be subject to a civil penalty of not less than \$10,000 and not more than \$100,000 for each such failure.

The Contractor, _____, certifies or affirms the truthfulness and Accuracy of each statement of its certification and disclosure, if any. In addition, the Contractor understands and agrees that the provisions of 31 U.S.C. Chap. 38, Administrative Remedies for False Claims and Statements, apply to this certification and disclosure, if any.

Signature of Contractor's Authorized Official

Name and Title of Contractor's Authorized Official

Date

TOWN OF SOUTHWEST RANCHES, FLORIDA
SW 205TH AVENUE AND SW 49TH COURT DRAINAGE PROJECT
IFB NO. 24-003

APPENDIX Y

INSERT E-VERIFY MEMORANDUM OF UNDERSTANDING

PROVIDE PROOF OF E-VERIFY REGISTRATION

- a) Page showing USCIS verified electronic approval.
- b) Page listing Company name & EIN number, matching W9 (Appendix U) submitted.

Visit www.E-Verify.gov/Employer to register, save registration as a PDF document and include memorandum of Understanding document in this proposal.

DO NOT INCLUDE MOU OF COMPANY DIFFERENT TO W9 SUBMITTED.

TOWN OF SOUTHWEST RANCHES, FLORIDA
SW 205TH AVENUE AND SW 49TH COURT DRAINAGE PROJECT
IFB NO. 24-003

EXHIBIT A – AGREEMENT



AGREEMENT

BETWEEN THE

TOWN OF SOUTHWEST RANCHES

AND

FOR

“IFB 24-003 SW 205TH AVENUE AND SW 49TH COURT DRAINAGE PROJECT”

TOWN OF SOUTHWEST RANCHES, FLORIDA
SW 205TH AVENUE AND SW 49TH COURT DRAINAGE PROJECT
IFB NO. 24-003

AGREEMENT FOR

“IFB 24-003 SW 205TH AVENUE AND SW 49TH COURT DRAINAGE PROJECT”

THIS IS AN AGREEMENT (“Agreement” or “Contract”) made and entered into on this _____ day of _____ 2024 by and between the Town of Southwest Ranches, a Municipal Corporation of the State of Florida, (hereinafter referred to as “Town”) and _____ (hereinafter referred to as “Contractor”).

WHEREAS, the Town desires to _____ (“Project”); and

WHEREAS, the Town advertised an Invitation for Bids, IFB No. 24-003 on _____, 2024 (“IFB”); and

WHEREAS, ___ bids were received by the Town on _____, 2024; and

WHEREAS, the Town has adopted Resolution No. 2024- _____ at a public meeting of the Town Council approving the recommended award and has selected _____ for award of the Project.

NOW THEREFORE, in consideration of the foregoing promises and the mutual terms and conditions herein, the Town and Contractor hereby agree as follows:

Section 1: Scope of Services

- 1.1 Upon execution of this Agreement, the Contractor agrees to perform the duties and responsibilities as defined herein and in the IFB to which this Agreement is EXHIBIT “A” and which is made a part hereof by this reference (“Work”). This Agreement, as well as all Exhibits, the IFB, the Contractor’s Bid, including all forms attached thereto, and all addenda, specifications, drawings, and plans, shall be hereinafter collectively referred to as the “Contract Documents” and incorporated herein by reference. To the extent of any conflict among the Contract Documents, the more stringent criteria relative to the Contractor’s performance of the Work shall govern over the less stringent criteria.

TOWN OF SOUTHWEST RANCHES, FLORIDA
SW 205TH AVENUE AND SW 49TH COURT DRAINAGE PROJECT
IFB NO. 24-003

- 1.2 All Work rendered pursuant to this Agreement by Contractor shall be performed in accordance with the applicable standard of care for persons or entities performing similar work in Broward County, Florida. Contractor shall perform the Work in strict accordance with the requirements of this Agreement, all of the Contract Documents, good construction practices for this type of Work performed in Broward County, Florida and all applicable codes, ordinances, rules, laws, and regulations governing the Work, including, but not limited to, the Florida Building Code, along with Broward County Amendments to it.
- 1.3 By submitting its Bid and entering into this Agreement, Contractor represents that it has visited the location of the Work and informed itself of the conditions that exist at the site, including conditions of the facilities and difficulties associated with the execution of the Work. The existing site conditions have been accounted for within the Contract Price. Furthermore, all costs for the proper disposal of excess material generated on site in the performance of the Work have likewise been included and accounted for within the Contract Price.
- 1.4 Contractor, in addition to any manufacturer’s warranty for materials or equipment, hereby warrants that its work will be free of defects and deficiencies for a period of one year from the Final Completion Date. If any defects or deficiencies arise within the warranty period, the Contractor shall correct the defect or deficiency at no cost to the Town. Nothing herein shall be construed as a waiver, limitation, or release of any right or remedy that the Town may have for breach of this Agreement, which rights are cumulative and in no way limited by the warranty.

Section 2: Term of this Agreement and Agreement Time

- 2.1 Town and Contractor agree that Contractor shall perform all Work under this Agreement for
“**IFB 24-003 SW 205TH AVENUE AND SW 49TH COURT DRAINAGE PROJECT**”
- 2.2 Town shall have the ability to terminate this Agreement as provided in “Section 18: Termination.”
- 2.3 Contractor shall not be entitled to any claim for damages against Town on account of hindrance or delays from any cause whatsoever. If, however, Contractor is delayed in the prosecution of the Work occasioned by an act of God, or by act or omission on the part of the Town, or due to changes ordered in the Work by Town which expand the scope and costs of the Work, such act, hindrance, or delay shall only entitle Contractor to receive an extension of time as its sole and exclusive remedy for such hindrance or delay and Contractor waives any and all other claims against Town.
- 2.4 Contractor shall be instructed to commence the Work by written instruction in the form of a Purchase Order issued by the Finance Department. The Notice to Proceed and Purchase

TOWN OF SOUTHWEST RANCHES, FLORIDA
SW 205TH AVENUE AND SW 49TH COURT DRAINAGE PROJECT
IFB NO. 24-003

Order will not be issued until Contractor's submission to Town of all required documents and after execution of this Contract by both Parties. Preliminary work, including submission of a project schedule, schedule of values, submittals, submittal schedule, and other documents required for permitting, and performance of work that does not require permits, shall commence within ten (10) days after the date of the Notice to Proceed. Contractor shall have ten (10) days after receipt of signed and sealed contract Drawings from Consultant to apply for construction permits to the applicable permitting authority. Except for the reimbursement of permit application fees as may be provided in the Contract Documents, Contractor shall not be entitled to compensation of any kind.

- 2.5 Time being of the essence, Town and Contractor agree that Contractor shall perform all Work under this Agreement and achieve substantial completion of the Work within **ninety (90) calendar days of the date of the Notice to Proceed**, subject to appropriate extensions of time as provided in this Agreement ("Substantial Completion Date").

Substantial Completion of the Work at the Project shall be defined as the date upon which the last of all the following events have occurred:

- (i) All necessary approvals have been issued with respect to the Work by the appropriate governmental authorities;
- (ii) Restoration of all utilities to operation that have been affected during performance of the Work;
- (iii) All Work has been completed; and
- (iv) The Town's engineer/architect of record for the Project, Town of Southwest Ranches Drainage Improvements, has issued its written acceptance of the Work performed by Contractor and executed and delivered to the Town a Certificate of Substantial Completion.

- 2.6 Upon failure of Contractor to obtain Substantial Completion within the deadline stated in Section 2.5, as extended by any approved time extensions, Contractor shall pay to Town the sum of two hundred Dollars (\$200.00) for each day after the deadline for Substantial Completion, as extended by any approved time extensions, until Substantial Completion is obtained. After Substantial Completion, should Contractor fail to complete the remaining Work within the deadline stated in Section 2.5, as extended by approved time extensions thereof, Contractor shall pay to Town the sum of two hundred Dollars (\$200.00) for each day after the deadline for Final Completion, as extended by any approved extensions, until Final Completion is obtained. These amounts are not penalties but are liquidated damages to Town for its inability to obtain full beneficial occupancy and/or use of the Project. Liquidated damages are hereby fixed and agreed upon between the Parties based on (1) a mutual recognition of the impossibility of precisely ascertaining the amount of damages that will be sustained by Town as a consequence of Contractor's failure to timely obtain Substantial Completion; and (2) both Parties' desire to obviate any question of dispute concerning the amount of said damages and the cost and effect of the failure of Contractor

TOWN OF SOUTHWEST RANCHES, FLORIDA
SW 205TH AVENUE AND SW 49TH COURT DRAINAGE PROJECT
IFB NO. 24-003

to complete this Contract on time. These liquidated damages shall apply separately to each portion of the Project for which a deadline for completion is given.

- 2.7 **Liquidated/Delay Damages** (“LD’s”) – In the event Contractor does not achieve Substantial Completion of the Work as defined in Paragraph 2.5 above, the parties acknowledge that any delay beyond the scheduled Substantial Completion Date may cause grave injury and damage to the Town by virtue of locating, moving to, and paying rent for temporary quarters, loss of use, extension of overhead costs, additional costs of design professionals and otherwise. The liquidated damages shall be paid by Contractor to Town weekly, immediately upon each such failure of Contractor to comply with the scheduled Substantial Completion Date. In the event that the Contractor fails to make timely payments to Town, the Town shall have the right to deduct liquidated damages from monies due or to become due to Contractor.

Final Completion of the Work shall be achieved no later than 30 calendar days from Substantial Completion or within **one hundred twenty (120)** days from the date of issuance of the Notice to Proceed, whichever occurs first. Final Completion Date is defined as the date when all punch list items have been completed as evidenced by the issuance of a written Certification of Final Completion by the Town’s design professional for this Project, and all other conditions precedent to Final Completion as outlined below have been satisfied:

Contractor shall:

- (i) Deliver to the Town all warranties, final certifications, and similar documentation to confirm that all necessary approvals have been issued for the Work by the appropriate governmental authorities;
 - (ii) Complete all Punch List items of Work;
 - (iii) Remove temporary facilities from the site, along with construction tools and similar elements;
 - (iv) Complete final clean-up including repair, replace and restore any items damaged by Contractor as a consequence of performing Work;
 - (v) Deliver to the Town confirmation that all permits have been closed; and
 - (vi) Confirm that the Town’s engineer/architect of record for the Project, SW 205TH AVENUE AND SW 49TH COURT DRAINAGE PROJECT , has issued written acceptance of the Work performed and executed and delivered to the Town a Certificate of Final Completion.
- 2.8 Contractor shall reimburse Town, in addition to liquidated damages, for all costs incurred by Consultant in administering the construction of the Project beyond the completion dates specified above, as extended by any approved time extensions. Consultant construction administration costs shall be in the amounts set forth in the contract between Town and Consultant, a copy of which is available upon request of the Contract Administrator. All such costs shall be deducted from the monies due Contractor for performance of Work

TOWN OF SOUTHWEST RANCHES, FLORIDA
SW 205TH AVENUE AND SW 49TH COURT DRAINAGE PROJECT
IFB NO. 24-003

under this Contract by means of unilateral credit Change Orders issued by Town as costs are incurred by Consultant and agreed to by Town.

- 2.9 Additionally, Contractor acknowledges that, among other damages the Town may suffer from Contractor's delays, the Town may be required to forfeit payment of, or may be required to make reimbursement for, grant monies if the Project is not timely completed. Accordingly, Contractor hereby agrees to indemnify and hold Town harmless from and against any forfeitures or losses of such grant monies resulting from Contractor's delays. Contractor acknowledges and agrees that Town, at its sole option, may elect to recover from Contractor its actual damages, including the actual loss of such grant monies, in lieu of assessing liquidated damages, where such actual losses exceed the amount of liquidated damages. Section 2.7 shall survive termination of this Agreement pursuant to Sections 18C or 18E herein, or other termination for cause.

Section 3: Compensation & Method of Payment

- 3.1 Contractor shall render all Work to the Town under the Agreement for a total, not to exceed, \$ _____ Dollars ("Contract Price").
- 3.2 Town shall not be liable for any cost increases or escalation associated with labor, services, materials, equipment, or any other costs that may arise during the performance of the Work. In the event, the cost of the Work exceeds the amounts defined in Section 3.1, Contractor shall pay such excess from its own funds and Town shall not be liable for any excess. The only exception shall be adjustments to the Contract Price pursuant to written Change Orders, duly executed by Town and Contractor in accordance with the terms and conditions of this Agreement and with the same formality and dignity afforded the original Agreement.
- 3.3 Town and Contractor agree that payment will be subject to (a) the delivery of an invoice by Contractor to the Town once every 30 days, and (b) confirmation by Town, that the Work included in the invoice, has been performed in accordance with this Agreement. Upon verification by Town that the invoiced Work has adequately been performed, Town shall have thirty (30) days thereafter to pay the invoice.
- 3.4 Each invoice must be accompanied by all supporting documentation and other information reasonably requested by Town, including, but not limited to a Partial Release of Lien or Final Release of Lien as appropriate and in compliance with forms set forth in Chapter 713.20, Florida Statutes. Reference herein to Chapter 713, Florida Statutes is for convenience, and shall not be construed as a waiver of sovereign immunity or authority for imposition of liens against public property. Each progress payment shall be reduced by 5% retainage. Subject to other requirements of the Contract Documents, retainage shall be released after final completion of the Work and Town's receipt of acceptable reports and other documentation including certification of payment to subcontractors, if any, and a

TOWN OF SOUTHWEST RANCHES, FLORIDA
SW 205TH AVENUE AND SW 49TH COURT DRAINAGE PROJECT
IFB NO. 24-003

Final Release of Lien form set forth in Section 713.20, Florida Statutes, as well as satisfaction of the conditions included in Section 3.5 of this Agreement.

- 3.5 A final payment invoice must be accompanied by written notice from Contractor that the Work is complete. The Town's engineer/architect will make a final inspection and provide a punch list to Contractor of all portions of the work they deem to be incomplete or defective. Contractor shall immediately take such measures as are necessary to complete the punch list and remedy the deficiencies. Contractor's obligation to perform and complete the Work in strict accordance with the Contract Documents shall be absolute. The Town may refuse payment if (a) the Work is defective or damaged requiring correction or replacement, (b) it becomes necessary for the Town to correct defective Work, or (c) liens, claims, or other items have been asserted against the Town in connection with Contractor's performance of the Work entitling the Town to a set-off the amount due. No payment will be made for Work performed by the Contractor to replace defective work, for work which is not shown or ordered in the Contract Documents, or additional work performed by Contractor without prior written approval of Town.

Section 4: Assignment

No assignment of this Agreement or the Work hereunder shall be valid without the express written consent of Town, which may be given or withheld, in Town's sole discretion. All Work to be performed pursuant to this Agreement shall be performed by the Contractor, and no Work shall be subcontracted to other parties or firms without the prior written consent and approval of the Town Administrator.

Section 5: Contractor's Responsibility for Safety

- 5.1 Contractor shall be responsible for initiating, maintaining, and supervising all safety precautions and programs in connection with the Work provided in order to prevent damage, injury or loss to (a) employees performing the Work and all other persons who may be affected thereby, (b) all the Work, materials and equipment to be incorporated therein and (c) other property at the site or adjacent thereto. Contractor shall comply with all applicable laws, ordinances, rules, regulations, and orders, of any authority with jurisdiction regarding the safety of persons and property, in order to provide protection from damage, injury, or loss.

Section 6: Insurance

- 6.1 Throughout the term of this Agreement and during applicable statute of limitation periods, Contractor shall maintain, in full force and effect, all of insurance coverages required within the Agreement and IFB.
- 6.2 All Insurance Policies shall be issued by companies that (a) are authorized to transact business in the State of Florida, (b) have agents upon whom service of process may be made in Broward County, Florida, and (c) have a rating of "A-" or better in accordance with A.M. Best's Key Rating Guide.
- 6.3 All Insurance Policies shall name and endorse the following as an additional named insured:

TOWN OF SOUTHWEST RANCHES, FLORIDA
SW 205TH AVENUE AND SW 49TH COURT DRAINAGE PROJECT
IFB NO. 24-003

Town of Southwest Ranches

13400 Griffin Road

Southwest Ranches, FL 33330-2628

- 6.4 All Insurance Policies shall be endorsed to provide that (a) Contractor's Insurance is primary to any other Insurance available to Town or any other additional insured with respect to claims covered under the policy and (b) Contractor's insurance applies separately to each insured, against who claims are made or suit is brought, and (c) that the inclusion of more than one insured shall not operate to increase the Insurer's limit of liability. Self-insurance by Contractor shall not be acceptable for providing the required insurance coverages of this Agreement.
- 6.5 If the Contractor fails to submit the required insurance certificate, in the manner prescribed within the executed Agreement, at the time of execution of this Agreement, Contractor shall be deemed in default, and the Agreement shall be cancelled or rescinded without liability of the Town.
- 6.6 Contractor shall carry the following minimum types of Insurance:
- A. **WORKER'S COMPENSATION**: Worker's Compensation Insurance is to apply to all employees in compliance with the "Workers' Compensation Law" of the State of Florida and all applicable federal laws. Contractor shall carry Worker's Compensation Insurance with the statutory limits, which shall include employer's liability insurance with a limit of not less than **Five Hundred Thousand Dollars (\$500,000)** for each incident, and **Five Hundred Thousand Dollars (\$500,000)** for each disease. Policy(ies) must be endorsed with waiver of subrogation against Town.
 - B. **BUSINESS AUTOMOBILE LIABILITY INSURANCE**: Contractor shall carry business automobile liability insurance with minimum limits of **Five Hundred Thousand Dollars (\$500,000)** per occurrence, combined single limits bodily injury liability and property damage. The policy must be no more restrictive than the latest edition of the business automobile liability policy without restrictive endorsements, as filed by the Insurance Services Office, and must include all owned vehicles and all hired or non-owned vehicles.
 - C. **COMMERCIAL GENERAL LIABILITY**: Contractor shall carry Commercial General Liability Insurance with limits of not less than **Five Hundred Thousand Dollars (\$500,000)** per occurrence combined single limit for bodily injury and property damage, and not less than **One Million Dollars (\$1,000,000)** in the aggregate. The insurance policy must include coverage that is no more restrictive than the latest edition of the commercial general liability policy, without restrictive endorsements as filed by the Insurance Service Office (ISO), and the policy must include coverages for premises and/or operations, independent contractors, products and/or completed operations for contracts, contractual liability, broad form contractual coverage, broad form property damage, products, completed

TOWN OF SOUTHWEST RANCHES, FLORIDA
SW 205TH AVENUE AND SW 49TH COURT DRAINAGE PROJECT
IFB NO. 24-003

operations, personal injury and explosion, collapse and underground (X-C-U). Personal injury coverage shall include coverage that has the employee and contractual exclusions removed. The ISO form of the policy must be acceptable to the Town.

- 6.7 Contractor shall provide Town with a copy of the Certificates of Insurance or endorsements evidencing the types of Insurance and coverages required by this Section prior to beginning Work under this Agreement and, at any time thereafter, upon request by Town.
- 6.8 Contractor's Insurance Policies shall be endorsed to provide Town with at least thirty (30) calendar days prior written notice of cancellation, non-renewal, restrictions, or reduction in coverages or limits. Notice shall be sent to:

Town of Southwest Ranches
13400 Griffin Road
Southwest Ranches, Florida 33330

And

Keith M. Poliakoff, Esq.
Government Law Group, PLLC
200 South Andrews Avenue
Suite 601
Fort Lauderdale, Florida 33301

- 6.9 Contractor's Commercial General Liability Insurance policy shall be on an "occurrence" basis only and shall not be a "claims-made" policy.
- 6.10 If any of Contractor's Insurance policies include a general aggregate limit and provides that claims investigation or legal defense costs are included in the general aggregate limit, the general aggregate limit that is required shall be at least five (5) times the occurrence limits specified above in this article.
- 6.11 The Contractor shall not commence operations, and/or labor to complete any of the Work pursuant to this Agreement until certification or proof of insurance issued directly by the insurance company underwriting department or insurance agent, detailing terms, and provisions of coverage, has been received and approved by the Town.
- 6.12 If any of Contractor's initial insurance expires prior to the completion of the Work, renewal copies of Policies shall be furnished to Town at least thirty (30) days prior to the date of their expiration, and Town shall be an additional named insured by endorsement on all of Contractor's renewal policies.
- 6.13 **UPON EXECUTION OF THIS AGREEMENT, CONTRACTOR SHALL SUBMIT TO TOWN COPIES OF ITS CERTIFICATE(S) OF INSURANCE EVIDENCING THE REQUIRED COVERAGES REQUIRED HEREIN AND SPECIFICALLY PROVIDING THE ENDORSEMENT TO THE POLICIES THAT SHOWS THE**

TOWN OF SOUTHWEST RANCHES, FLORIDA
SW 205TH AVENUE AND SW 49TH COURT DRAINAGE PROJECT
IFB NO. 24-003

TOWN OF SOUTHWEST RANCHES IS AN ADDITIONAL NAMED INSURED WITH RESPECT TO THE REQUIRED COVERAGES AND CONTRACTOR'S WORK UNDER THE AGREEMENT.

- 6.14 The official title of the owner is Town of Southwest Ranches. This official title shall be used in all insurance policies and documentation.
- 6.15 All required insurance policies shall preclude any insurer's or underwriter's rights of recovery or subrogation against Town with the express intention of the parties being that the required insurance coverage protects both parties as the primary coverage for any and all losses covered by the above described insurance.
- 6.16 Contractor shall ensure that any company issuing insurance to satisfy the requirements contained in this Agreement agrees that they shall have no recourse against Town for payment or assessments in any form on any policy of insurance.
- 6.17 The clauses "Other Insurance Provisions" and "Insured Duties in the Event of an Occurrence, Claim or Suit" as it appears in any policy of insurance in which Town is named as an additional named insured shall not apply to Town in any respect. Town shall use its best efforts to provide written notice of occurrence within thirty (30) working days after Town's actual notice of such event.
- 6.18 Notwithstanding any other provisions of this Agreement, Contractor's obligation to maintain all required insurance as specified in this Section of the Agreement shall survive the expiration or earlier termination of this Agreement.

Section 7: Copyrights and Patent Rights

Contractor warrants that there has been no violation of copyrights, trademarks, or patent rights in manufacturing, producing, and/or selling the item(s) ordered or shipped as a result of this Agreement. Contractor agrees to indemnify and hold harmless Town, its employees, agents, or servants against any and all liability, loss, or expense resulting from any such violation(s).

Section 8: Laws and Regulations

Contractor agrees to comply with all applicable Federal, State, County, and local laws, rules, regulations, ordinances, and codes in performing all Work under this Agreement.

Section 9: Taxes and Costs

All federal, state, and local taxes relating to the Contractor's Work under this Agreement and, similarly, all costs for licenses, permits, or certifications to perform the Work under this Agreement shall be paid by the Contractor.

Section 10: Indemnification

To the fullest extent permitted by Florida law, including Florida Statutes, Section 725.06, the Contractor shall indemnify, defend and hold harmless the Town, its officers and employees, from liabilities, damages, losses and costs, including, but not limited to, reasonable attorney's fees, at both trial and appellate levels, to the extent caused by the negligence, recklessness, or willful misconduct of the Contractor and persons employed or utilized by the Contractor in the performance of the Work or anyone else for whose actions Contractor may be responsible,

TOWN OF SOUTHWEST RANCHES, FLORIDA
SW 205TH AVENUE AND SW 49TH COURT DRAINAGE PROJECT
IFB NO. 24-003

regardless of the partial fault of any party indemnified hereunder. Notwithstanding any other provisions of this Agreement, the Contractor's duty to indemnify, defend and hold the Town harmless shall survive the termination or earlier expiration of this Agreement.

Section 11: Non-discrimination

Contractor shall not discriminate against any client, employee, or applicant for employment because of race, gender, age, color, religion, sex, national origin, physical or mental disability, or marital status. Contractor shall take affirmative action to ensure that applicants, subcontractors, Independent contractors, and employees are treated without discrimination in regard to their race, gender, age, color, religion, sex, national origin, physical or mental disability, or marital status. Contractor shall comply with all applicable sections of the Americans with Disabilities Act. Contractor agrees that compliance with this Article constitutes a material condition to this Agreement, and that it is binding upon the Contractor, its successors, transferees, and assigns for the period which Work is provided. Contractor further assures that all subcontractors and independent contractors are not in violation of the terms of this Section of the Agreement.

During the performance of this contract, the contractor agrees as follows:

(1) The contractor will not discriminate against any employee or applicant for employment because of race, color, religion, sex, sexual orientation, gender identity, or national origin. The contractor will take affirmative action to ensure that applicants are employed, and that employees are treated during employment without regard to their race, color, religion, sex, sexual orientation, gender identity, or national origin. Such action shall include, but not be limited to the following:

Employment, upgrading, demotion, or transfer; recruitment or recruitment advertising; layoff or termination; rates of pay or other forms of compensation; and selection for training, including apprenticeship. The contractor agrees to post in conspicuous places, available to employees and applicants for employment, notices to be provided setting forth the provisions of this nondiscrimination clause.

(2) The contractor will, in all solicitations or advertisements for employees placed by or on behalf of the contractor, state that all qualified applicants will receive consideration for employment without regard to race, color, religion, sex, sexual orientation, gender identity, or national origin.

(3) The contractor will not discharge or in any other manner discriminate against any employee or applicant for employment because such employee or applicant has inquired about, discussed, or disclosed the compensation of the employee or applicant or another employee or applicant. This provision shall not apply to instances in which an employee who has access to the compensation information of other employees or applicants as a part of such employee's essential job functions discloses the compensation of such other employees or applicants to individuals who do not otherwise have access to such information, unless such disclosure is in response to a formal complaint or charge, in furtherance of an investigation, proceeding, hearing, or action, including an investigation conducted by the employer, or is consistent with the contractor's legal duty to furnish information.

(4) The contractor will send to each labor union or representative of workers with which he

TOWN OF SOUTHWEST RANCHES, FLORIDA
SW 205TH AVENUE AND SW 49TH COURT DRAINAGE PROJECT
IFB NO. 24-003

has a collective bargaining agreement or other contract or understanding, a notice to be provided advising the said labor union or workers' representatives of the contractor's commitments under this section, and shall post copies of the notice in conspicuous places available to employees and applicants for employment.

(5) The contractor will comply with all provisions of Executive Order 11246 of September 24, 1965, and of the rules, regulations, and relevant orders of the Secretary of Labor.

(6) The contractor will furnish all information and reports required by Executive Order 11246 of September 24, 1965, and by rules, regulations, and orders of the Secretary of Labor, or pursuant thereto, and will permit access to his books, records, and accounts by the administering agency and the Secretary of Labor for purposes of investigation to ascertain compliance with such rules, regulations, and orders.

(7) In the event of the contractor's noncompliance with the nondiscrimination clauses of this contract or with any of the said rules, regulations, or orders, this contract may be canceled, terminated, or suspended in whole or in part and the contractor may be declared ineligible for further Government contracts or federally assisted construction contracts in accordance with procedures authorized in Executive Order 11246 of September 24, 1965, and such other sanctions may be imposed and remedies invoked as provided in Executive Order 11246 of September 24, 1965, or by rule, regulation, or order of the Secretary of Labor, or as otherwise provided by law.

(8) The contractor will include the portion of the sentence immediately preceding paragraph (1) and the provisions of paragraphs (1) through (8) in every subcontract or purchase order unless exempted by rules, regulations, or orders of the Secretary of Labor issued pursuant to section 204 of Executive Order 11246 of September 24, 1965, so that such provisions will be binding upon each subcontractor or vendor. The contractor will take such action with respect to any subcontract or purchase order as the administering agency may direct as a means of enforcing such provisions, including sanctions for noncompliance:

Provided, however, that in the event a contractor becomes involved in, or is threatened with, litigation with a subcontractor or vendor as a result of such direction by the administering agency, the contractor may request the United States to enter into such litigation to protect the interests of the United States.

The applicant further agrees that it will be bound by the above equal opportunity clause with respect to its own employment practices when it participates in federally assisted construction work: *Provided*, That if the applicant so participating is a State or local government, the above equal opportunity clause is not applicable to any agency, instrumentality or subdivision of such government which does not participate in work on or under the contract.

The applicant agrees that it will assist and cooperate actively with the administering agency and the Secretary of Labor in obtaining the compliance of contractors and subcontractors with the equal opportunity clause and the rules, regulations, and relevant orders of the Secretary of Labor, that it will furnish the administering agency and the Secretary of Labor such information as they may require for the supervision of such compliance, and that it will otherwise assist the administering agency in the discharge of the agency's primary responsibility for securing compliance.

TOWN OF SOUTHWEST RANCHES, FLORIDA
SW 205TH AVENUE AND SW 49TH COURT DRAINAGE PROJECT
IFB NO. 24-003

The applicant further agrees that it will refrain from entering into any contract or contract modification subject to Executive Order 11246 of September 24, 1965, with a contractor debarred from, or who has not demonstrated eligibility for, Government contracts and federally assisted construction contracts pursuant to the Executive Order and will carry out such sanctions and penalties for violation of the equal opportunity clause as may be imposed upon contractors and subcontractors by the administering agency or the Secretary of Labor pursuant to Part II, Subpart D of the Executive Order. In addition, the applicant agrees that if it fails or refuses to comply with these undertakings, the administering agency may take any or all of the following actions: Cancel, terminate, or suspend in whole or in part this grant (contract, loan, insurance, guarantee); refrain from extending any further assistance to the applicant under the program with respect to which the failure or refund occurred until satisfactory assurance of future compliance has been received from such applicant; and refer the case to the Department of Justice for appropriate legal proceedings.

Section 12: Sovereign Immunity

Nothing in this Agreement is intended, nor shall it be construed to waive or modify the Town's Sovereign Immunity defense or the Town's immunities and limitations on liability as provided for in Florida Statutes, as worded or amended and all Florida case law interpreting same.

Section 13: Prevailing Party Attorneys' Fees

In the event either party to this Agreement incurs legal fees, legal expenses, or costs to enforce the terms of this Agreement on trial or on appeal, the prevailing party shall be entitled to recover reasonable costs of such action so incurred, including, without limitation, reasonable attorney's fees and costs and expert witness fees and costs incurred.

Section 14: No Third-Party Beneficiaries

This Agreement is solely for the benefit of the parties hereto and is not entered into for the benefit of any other person or entity. Nothing in this Agreement shall be deemed or construed to create or confer any benefit, right or cause of action for any third party or entity.

Section 15: Funding

The obligation of Town for payment to Contractor for the Work is limited to the availability of funds appropriated in a current fiscal period, and continuation of any contractual relationship into a subsequent fiscal period is subject to appropriation of funds, unless otherwise authorized by law.

Section 16: Manner of Performance

Contractor agrees to perform all Work in a professional manner and in accordance with Local, State, County, and Federal laws, rules, ordinances, regulations, and codes. Contractor agrees that the Work provided shall be provided by employees that are educated, trained, experienced, certified, and licensed in all areas encompassed within their designated duties. Contractor agrees to furnish to Town any and all documentation, certification, authorization, license, permit, or registration currently required by applicable laws, rules, and regulations. Contractor further certifies that it and its employees will keep all licenses, permits, registrations, authorizations, or certifications required by applicable laws or regulations in full force and effect during the term of

TOWN OF SOUTHWEST RANCHES, FLORIDA
SW 205TH AVENUE AND SW 49TH COURT DRAINAGE PROJECT
IFB NO. 24-003

this Agreement. Failure to comply with this paragraph shall constitute a material breach of this Agreement.

Section 17: Public Records

The Town is subject to Chapter 119, Florida Statutes, "Public Records Law." No claim of confidentiality or proprietary information in any portion of a response will be honored unless a specific exemption from the Public Law exists and is cited in the response. An incorrectly claimed exemption does not disqualify the firm, only the exemption claimed. Contractor acknowledges the public shall have access at all reasonable times, to all documents and information pertaining to Town's contracts, subject to the provisions of Chapter 119, Florida Statutes, and agrees to allow access by the Town and the public to all documents subject to disclosures under applicable law.

To the extent that Contractor has been provided access to or has received security sensitive information, as defined by Florida Statutes, Section 119.071 and/or has executed a Confidential Information Acknowledgement and Agreement as part of the IFB process, Contractor shall keep and maintain the security sensitive information as confidential and exempt from public disclosures as required by Florida Statutes.

Contractor agrees to keep and maintain public records required by the Town to perform the service in Contractor's possession or control in connection with Contractor's performance under this IFB and any Contract awarded, and upon the request from the Town's custodian of public records, to provide the Town with a copy of the requested records or allow the records to be inspected or copied within a reasonable amount of time at a cost that does not exceed the cost provided in Chapter 119 or as otherwise provided by law. Contractor shall ensure that public records that are exempt or confidential and exempt from public records disclosure requirements are not disclosed except as authorized by law for the duration of the contract term and following completion of the Contract if the Contractor does not transfer the records to the Town.

Upon completion of the Contract, Contractor agrees, at no cost to Town, to transfer to the Town all public records in possession of the Contractor or keep and maintain public records required by the Town to perform the service. If the Contractor transfers all public records to the Town upon completion of the Contract, the Contractor shall destroy any duplicate public records that are exempt or confidential and exempt from public records disclosure requirements. If the Contractor keeps and maintains public records upon completion of the Contract, the contractor shall meet all applicable requirements for retaining public records. All records stored electronically must be provided to the Town, upon request from the Town's custodian of public records, in a format that is compatible with the information technology system of the Town.

TOWN OF SOUTHWEST RANCHES, FLORIDA
SW 205TH AVENUE AND SW 49TH COURT DRAINAGE PROJECT
IFB NO. 24-003

Contractor's failure or refusal to comply with the provisions of this section shall result in the immediate termination for cause of the Contract by Town.

IF THE CONTRACTOR HAS QUESTIONS REGARDING THE APPLICATION OF CHAPTER 119, FLORIDA STATUTES, TO THE CONTRACTOR'S DUTY TO PROVIDE PUBLIC RECORDS RELATING TO THIS CONTRACT, CONTACT THE CUSTODIAN OF PUBLIC RECORDS AT PHONE: (954) 434-0008; EMAIL: DRUESGA@SOUTHWESTRANCHES.ORG; DEBRA RUESGA, TOWN CLERK, TOWN OF SOUTHWEST RANCHES, 13400 GRIFFIN ROAD, SOUTHWEST RANCHES, FLORIDA, 33330.

Section 18: Termination

The Agreement may be terminated upon the following events:

- A. **Termination by Mutual Agreement.** In the event the parties mutually agree in writing, this Agreement may be terminated on the terms and dates stipulated therein.
- B. **Termination for Convenience.** This Agreement may be terminated for Convenience by Town upon Town providing Contractor with **thirty (30) calendar day's** written notice of Town's intent to terminate this Agreement for Convenience. In the event that this Agreement is terminated by Town for Convenience, Contractor shall be paid ONLY for Work performed and approved by the Town as of the date of this Agreement is terminated, plus any direct and reasonable expense sustained up to the date of receipt of the written notice. In no event, shall Town be liable for consequential damages, including but not limited to, lost profits on Work not yet performed, and no other compensation or damages other than as set forth in this Section shall be paid to or recovered by Contractor in any legal proceeding against Town. Upon being notified of Town's election to terminate, Contractor shall immediately cease performing any further Work or incurring additional expenses. Contractor acknowledges and agrees that Ten Dollars (\$10.00) of the compensation to be paid by Town, the adequacy of which is hereby acknowledged by Contractor, is given as specific consideration to Contractor for Town's right to terminate this Agreement for Convenience.
- C. **Termination for Cause.** In the event of a material breach by Contractor, Town shall provide Contractor written notice of its material breach. Contractor shall thereafter have fourteen (14) days from the date of its receipt of such notification to cure such material breach. If Contractor does not cure the material breach within that time period, Town may terminate this Agreement immediately. Material breaches shall include, but are not limited to, Contractor's violations of governing standards, failure to carry out the work in strict accordance with the Contract Documents, failure to supply sufficient work forces, violations of state or federal laws, violation of Town's policies and procedures, or violation

TOWN OF SOUTHWEST RANCHES, FLORIDA
SW 205TH AVENUE AND SW 49TH COURT DRAINAGE PROJECT
IFB NO. 24-003

of any of the terms and conditions of this Agreement. In the event that Town elects to terminate Contractor for cause as provided for in this Section, and Town's termination for cause is later determined by a court of competent jurisdiction to be improper, or in any other way wrongful or in breach of this Agreement, the termination will be automatically deemed converted to one for Convenience, and Contractor shall solely be paid and Contractor's damages are solely limited to the compensation Contractor would be entitled to pursuant to subparagraph (B) of this Section.

D. Termination for Lack of Funds. In the event the funds to finance the Work under this Agreement become unavailable, Town may provide Contractor with thirty (30) days written notice of termination. Nothing in this Agreement shall be deemed or construed to prevent the parties from negotiating a new Agreement in this scenario. In the event that Town elects to terminate Contractor for lack of funds as provided for in this Section, and Town's termination for lack of funds is later determined by a court of competent jurisdiction to be improper, or in any other way wrongful or in breach of this Agreement, the termination will be automatically deemed converted to one for Convenience, and Contractor shall solely be paid and Contractor's damages are solely limited to the compensation Contractor would be entitled to pursuant to subparagraph (B) of this Section.

E. Immediate Termination by Town. In addition to any other grounds stated herein, Town, in its sole discretion, may terminate this Agreement immediately upon the occurrence of any of the following events:

1. Contractor's violation of the Public Records Act;
2. Contractor's insolvency, bankruptcy or receivership;
3. Contractor's violation or non-compliance with Section 11 of this Agreement;
4. Contractor's failure to maintain any Insurance required by Section 6 of this Agreement; or
5. Contractor's violation of Section 19 of this Agreement.

Section 19: Public Entity Crimes Information Statement

Pursuant to Florida Statutes, Section 287.133: "A person or affiliate who has been placed on the convicted vendor list following a conviction for public entity crime may not submit a bid on a contract to provide any goods or services to a public entity, may not submit a bid on a contract with a public entity for the construction or repair of a public building or public work, may not submit bids on leases of real property to public entity, may not be awarded or perform work as a contractor, supplier, subcontractor, or consultant under a contract with any public entity, and may not transact business with any public entity in excess of the threshold amount provided in Section 287.017, for CATEGORY TWO for a period of 36 months from the date of being placed on the convicted vendor list." Violation of this section by Contractor shall result in Town's immediate termination of this Agreement.

Section 20: Use of Awarded Bid by Other Governmental Units

TOWN OF SOUTHWEST RANCHES, FLORIDA
SW 205TH AVENUE AND SW 49TH COURT DRAINAGE PROJECT
IFB NO. 24-003

Contractor agrees that this Agreement may be utilized by other governmental entities or units to provide the specified services. Town does not become obligated in any way, to pay for or become, in any way, responsible or liable for Contractor's provision of Work or services to any other governmental unit.

Section 21: Change Orders and Modification of Agreement

Town and Contractor may request changes that would increase decrease or otherwise modify the Scope of Work to be provided under this Agreement. Such changes only become part of this Agreement and increase, decrease or otherwise modify the Work or the Contract Price under this Agreement if evidenced by a written Change Order executed by Town and Contractor, with the same formality and of equal dignity associated with the original execution of the Agreement.

Section 22: No Waiver of Rights

Neither the Town's review, approval or payment for any of the Work required under this Agreement shall be construed to operate as a waiver of any of Town's rights under this Agreement or of any causes of action arising out Contractor's performance of the Work under this Agreement, and Contractor shall be and remain liable to the Town for all damages to the Town caused by the Contractor's negligent or improper performance of any of the Work furnished under this Agreement, irrespective of the Town's review, approval or payment for any of the Work under this Agreement. The rights and remedies of the Town provided for under this Agreement are in addition to all other rights and remedies provided to Town by law.

Section 23: Jurisdiction and Venue

The exclusive venue for any litigation arising from or relating to the Agreement shall be in a court of competent jurisdiction in the 17th Judicial Circuit in and for Broward County, Florida. This Agreement shall be governed by the substantive laws of the State of Florida.

Section 24: WAIVER OF RIGHT TO JURY TRIAL

BY ENTERING INTO THIS AGREEMENT, CONTRACTOR AND TOWN HEREBY EXPRESSLY WAIVE ANY RIGHTS EITHER PARTY MAY HAVE TO A TRIAL BY JURY IN ANY CIVIL LITIGATION RELATED TO OR ARISING OUT OF THIS AGREEMENT.

Section 25: Gender

Wherever the context shall so require, all words herein in the masculine gender shall be deemed to include the feminine, and all words herein in the feminine gender shall be deemed to include the masculine. All singular words shall include the plural, and all plural words shall include the singular.

Section 26: Time is of the Essence; Liquidated Damages

Time is of the essence for all of Contractor's obligations under this Agreement. The Town will be entitled to Liquidated Damages as set forth in the Agreement.

TOWN OF SOUTHWEST RANCHES, FLORIDA
SW 205TH AVENUE AND SW 49TH COURT DRAINAGE PROJECT
IFB NO. 24-003

Section 27: Days

The term ‘days’ or ‘calendar days’ in reference to a period of time shall mean consecutive calendar days, to include Saturday, Sunday, and holidays.

Section 28: Written Mutual Agreement

This Agreement is binding upon the parties hereto, their successors and assigns, and replaces and supersedes any and all prior agreements or understanding between the parties hereto whether written or oral which are merged herein.

Section 29: No Amendment or Waiver

This Agreement may not be changed, altered, or modified except by an instrument in writing signed by all parties hereto, with the same formality and of equal dignity as the execution of this Agreement prior to the initiation of any Work reflecting such change.

Section 30: Severability

In the event any term or provision of this Agreement shall be determined by appropriate judicial authority to be illegal or otherwise invalid, such provision shall be given its nearest legal meaning so as to remain in full force and effect or be deemed severed from the Agreement so as not to affect the validity or enforceability of the remaining provisions of the Agreement. In case any one or more of the provisions of this Agreement shall be determined by appropriate judicial authority to be invalid, illegal, or unenforceable, in any respect, the validity of the remaining provisions of this Agreement shall be in no way affected, prejudiced, or disturbed thereby.

Section 31: Resolution of Disputes; Florida Statutes, Chapter 558 Not Applicable

To prevent litigation, it is agreed by the parties hereto that Town Administrator shall solely decide all questions, claims, difficulties and disputes of, whatever nature, which may arise relative to this Agreement, including but not limited to, Contractor’s fulfillment of its obligations under this Agreement as to the character, quality, amount and value of any Work done and materials furnished, or proposed, to be done or furnished, under or by reason of, the Agreement. Further, to the extent required or permitted by the agreement between the Town and its design professional for this Project, the design professional shall have access to the Work, the right to conduct testing or inspections, to reject non-conforming work, and to review pay applications. The Town Administrator’s decision shall be reduced to writing, and a copy furnished to the Contractor within a reasonable time following submission to the Town of the question, claim, difficulty, or dispute as referenced above. The Town Administrator’s decision shall be final and conclusive. Additionally, the parties understand and agree that Florida Statutes, Chapter 558 does not apply to this Agreement or the Work, and that the parties hereby “opt out” of the procedures set forth at Chapter 558.

Section 32: Notice

Whenever either party desires to give notice unto the other, such notice must be in writing by certified or registered mail, postage prepaid, return receipt requested, hand delivery, or facsimile transmission prior to 5:00 p.m. on the date of transmission (e.d.t. or e.s.t. as applicable), or via overnight express courier service. For the present, the parties designate the following individuals as the respective parties and places for giving of notice:

TOWN OF SOUTHWEST RANCHES, FLORIDA
SW 205TH AVENUE AND SW 49TH COURT DRAINAGE PROJECT
IFB NO. 24-003

If to Town:

Town of Southwest Ranches
Town Administrator
13400 Griffin Road
Southwest Ranches, Florida 33330

With a copy to:

Keith M. Poliakoff, Esq.

Government Law Group, PLLC

200 South Andrews Avenue

Suite 601

Fort Lauderdale, Florida 33301

If to Contractor:

Section 33: Miscellaneous

- A. Ownership of Documents.** Unless otherwise provided by law, any and all reports, surveys, and other data and documents provided or created in connection with this Agreement by Contractor and all persons or entities employed or otherwise retained by Contractor are and shall remain the property of Town. In the event of termination of this Agreement for any reason, any reports, photographs, surveys and other data and documents prepared by Contractor, whether finished or unfinished, shall become the property of Town and shall be delivered by Contractor to the Town Administrator within seven (7) days of termination of this Agreement for any reason. Any compensation due to Contractor shall be withheld until all documents are received by Town as provided herein.
- B. Audit and Inspection Rights and Retention of Records.** Town shall have the right to audit the books, records and accounts of Contractor that are related to this Agreement. Contractor shall keep such books, records, and accounts as may be necessary in order to record complete and correct entries related to this Agreement.

Contractor shall preserve and make available, at reasonable times for examination and audit by Town, all financial records, supporting documents, statistical records, and any other documents pertinent to this Agreement for the required retention period of the Florida Public Records Act (Chapter 119, Florida Statutes), if applicable, or, if the Florida Public Records Act is not applicable, for a minimum period of three (3) years after expiration or earlier termination of this Agreement, unless Contractor is notified in writing by Town of the need to extend the retention period. Such retention of such records and documents shall

TOWN OF SOUTHWEST RANCHES, FLORIDA
SW 205TH AVENUE AND SW 49TH COURT DRAINAGE PROJECT
IFB NO. 24-003

be at Contractor's sole expense. If any audit has been initiated and audit findings have not been resolved at the end of the retention period or three (3) years, whichever is longer, the books, records, and accounts shall be retained until resolution of the audit findings. If the Florida Public Records Act is determined by Town to be applicable to Contractor's records, Contractor shall comply with all requirements thereof.

However, no confidentiality or non-disclosure requirement of either federal or state law shall be violated by Contractor. Any incomplete or incorrect entry in such books, records, and accounts shall be a basis for Town's disallowance and recovery of any payment upon such entry. In addition, Contractor shall respond to the reasonable inquiries of successor Contractors and allow successor Contractors to receive working papers relating to matters of continuing significance. In addition, Contractor shall provide a complete copy of all working papers to the Town, prior to final payment by the Town under this Agreement.

- C. Independent Contractor.** Contractor is an independent contractor of Town under this Agreement. Services provided by Contractor pursuant to this Agreement shall be subject to the supervision of Contractor. In providing such services, neither Contractor nor its agents shall act as officers, employees, or agents of the Town. Personnel policies, tax responsibilities, social security and health insurance, employee benefits, purchasing policies and other similar administrative procedures applicable to the Work and services rendered under this Agreement shall be exclusively and solely those of Contractor. This Agreement shall not constitute or make Town and Contractor a partnership or joint venture.
- D. Conflicts.** Neither Contractor nor its employees shall have or hold any continuing or frequently recurring employment or contractual relationship that is substantially antagonistic or incompatible with Contractor's loyal and conscientious exercise of judgment related to its performance under this Agreement. Contractor agrees that none of its officers or employees shall, during the term of this Agreement, serve as an expert witness against Town in any legal or administrative proceeding in which he or she is not a party, unless compelled by court process. Further, Contractor agrees that such persons shall not give sworn testimony or issue a report or writing, as an expression of his or her expert opinion, which is adverse or prejudicial to the interests of Town in connection with any such pending or threatened legal or administrative proceeding. The limitations of this section shall not preclude Contractor or any other persons from representing themselves in any action or in any administrative or legal proceeding.

In the event Contractor is permitted to utilize subcontractors to perform any services required by this Agreement, Contractor agrees to prohibit such subcontractors, by written contract, from having any conflicts within the meaning of this Section.

- E. Contingency Fee.** Contractor warrants that it has not employed or retained any company or person, other than a bona fide employee working solely for Contractor, to solicit or secure this Agreement and that it has not paid or agreed to pay any person, company, corporation, individual or firm, other than a bona fide employee working solely for Contractor, any fee, commission, percentage, gift, or other consideration contingent upon or resulting from the award or making of this Agreement. For a breach or violation of this provision, Town shall have the right to terminate this Agreement without liability and, at

TOWN OF SOUTHWEST RANCHES, FLORIDA
SW 205TH AVENUE AND SW 49TH COURT DRAINAGE PROJECT
IFB NO. 24-003

its discretion, to deduct from the Agreement price or otherwise recover the full amount of such fee, commission, percentage, gift, or consideration.

- F. Materiality and Waiver of Breach.** Town and Contractor agree that each requirement, duty, and obligation set forth herein is substantial and important to the formation of this Agreement and, therefore, is a material term hereof. Town's failure to enforce any provision of this Agreement shall not be deemed a waiver of such provision or modification of this Agreement. A waiver of any breach of a provision of this Agreement shall not be deemed a waiver of any subsequent breach and shall not be construed to be a modification of the terms of this Agreement.
- G. Joint Preparation.** Town and Contractor both acknowledge that they have sought and received whatever competent advice and legal counsel as was necessary for them to form a full and complete understanding of all rights and obligations herein and that the preparation of this Agreement has been their joint effort. The language agreed to herein express their mutual intent and the resulting document shall not, solely as a matter of judicial construction, be construed more severely against one of the parties than the other.
- H. Drug-Free Workplace.** Contractor shall maintain a drug-free workplace.
- I. Headings.** Headings are for convenience of reference only and shall not be considered in any interpretation of this Agreement.
- J. Binding Authority.** Each person signing this Agreement on behalf of either party individually warrants that he or she has full legal power to execute this Agreement on behalf of the party for whom he or she is signing, and to bind and obligate such party with respect to all provisions contained in this Agreement.
- K. Truth-in-Negotiation Certificate.** Signature of this Agreement by Contractor shall act as the execution of a truth-in-negotiation certificate stating that wage rates and other factual unit costs supporting the compensation of this Agreement are accurate, complete, and current at the time of contracting.

TOWN OF SOUTHWEST RANCHES, FLORIDA
SW 205TH AVENUE AND SW 49TH COURT DRAINAGE PROJECT
IFB NO. 24-003

IN WITNESS WHEREOF, the parties have made and executed this Agreement on the respective dates under each signature: _____, and the TOWN OF SOUTHWEST RANCHES, signing by and through its Mayor duly authorized to execute same by Council action on the ___ day of _____ 2024.

WITNESSES:

CONTRACTOR:

By: _____
_____, _____ (title)
___ day of _____ 2024

TOWN OF SOUTHWEST RANCHES

By: _____
Steve Breitkreuz, Mayor
___ day of _____ 2024

By: _____
Russell Muñiz, Town Administrator
___ day of _____ 2024

TOWN OF SOUTHWEST RANCHES, FLORIDA
SW 205TH AVENUE AND SW 49TH COURT DRAINAGE PROJECT
IFB NO. 24-003

ATTEST:

Debra Ruesga, Town Clerk

APPROVED AS TO FORM AND CORRECTNESS:

Keith M. Poliakoff, Town Attorney

1001.043.2024

TOWN OF SOUTHWEST RANCHES, FLORIDA
SW 205TH AVENUE AND SW 49TH COURT DRAINAGE PROJECT
IFB NO. 24-003

EXHIBIT B – MINIMUM INSURANCE REQUIREMENTS

Awarded Contractor shall upload using Town website <http://www.southwestranches.org/procurement> a copy of the Certificates of Insurance or endorsements evidencing the types of Insurance and coverages required prior to beginning Work under this Agreement and, at any time thereafter, upon request by Town.

- D. **WORKER’S COMPENSATION**: Worker’s Compensation Insurance is to apply to all employees in compliance with the “Workers’ Compensation Law” of the State of Florida and all applicable federal laws. Contractor shall carry Worker’s Compensation Insurance with the statutory limits, which shall include employer’s liability insurance with a limit of not less than **One Hundred Thousand Dollars (\$100,000)** for each incident, and **One Hundred Thousand Dollars (\$100,000)** for each disease. Policy(ies) must be endorsed with waiver of subrogation against the Town.
- E. **BUSINESS AUTOMOBILE LIABILITY INSURANCE**: Contractor shall carry business automobile liability insurance with minimum limits of **Five Hundred Thousand Dollars (\$500,000)** per occurrence, combined single limits bodily injury liability and property damage. The policy must be no more restrictive than the latest edition of the business automobile liability policy without restrictive endorsements, as filed by the Insurance Services Office, and must include all owned vehicles and all hired or non-owned vehicles.
- F. **COMMERCIAL GENERAL LIABILITY**: Contractor shall carry Commercial General Liability Insurance with limits of not less than **Five Hundred Thousand Dollars (\$500,000)** per occurrence combined single limit for bodily injury and property damage, and not less than **One Million Dollars (\$1,000,000)** in the aggregate. The insurance policy must include coverage that is no more restrictive than the latest edition of the commercial general liability policy, without restrictive endorsements as filed by the Insurance Service Office (ISO), and the policy must include coverages for premises and/or operations, independent contractors, products and/or completed operations for contracts, contractual liability, broad form contractual coverage, broad form property damage, products, completed operations, personal injury and explosion, collapse and underground (X-C-U). Personal injury coverage shall include coverage that has the employee and contractual exclusions removed. The ISO form of the policy must be acceptable to the Town.

TOWN OF SOUTHWEST RANCHES, FLORIDA
SW 205TH AVENUE AND SW 49TH COURT DRAINAGE PROJECT
IFB NO. 24-003

EXHIBIT C - DRAWINGS

I. APPLICABLE CODES

- A. GENERAL: ALL CONSTRUCTION AND MATERIALS SHALL CONFORM TO THE STANDARDS AND SPECIFICATIONS OF THE CITY OF SOUTHWEST RANCHES, BROWARD COUNTY DEPARTMENT OF PLANNING AND ENVIRONMENTAL PROTECTION (BCDEP) FLORIDA DEPARTMENT OF ENVIRONMENTAL PROTECTION (FDEP), SOUTH BROWARD DRAINAGE DISTRICT (SBDD), SOUTH FLORIDA WATER MANAGEMENT DISTRICT (SFWMD), AND ALL OTHER LOCAL AND NATIONAL CODES WHERE APPLICABLE.
B. CONSTRUCTION SAFETY: ALL CONSTRUCTION SHALL BE DONE IN A SAFE MANNER, SPECIFICALLY, THE RULES AND REGULATIONS OF THE OCCUPATIONAL SAFETY AND HEALTH ADMINISTRATION (OSHA) AND THE MANUAL OF UNIFORM TRAFFIC CONTROL DEVICES (MUTCD) SHALL BE STRICTLY OBSERVED.
C. TRENCH SAFETY ACT
1. CONTRACTOR SHALL BE SOLELY RESPONSIBLE FOR COMPLIANCE WITH THE STATE OF FLORIDA TRENCH SAFETY ACT.
2. WHERE EXCAVATIONS TO A DEPTH IN EXCESS OF FIVE FEET (5') ARE REQUIRED THE CONTRACTOR SHALL INCLUDE THE FOLLOWING INFORMATION IN THE BID:
A. A REFERENCE TO THE SAFETY STANDARDS THAT WILL BE IN EFFECT DURING THE PERIOD OF CONSTRUCTION OF THE PROJECT.
B. WRITTEN ASSURANCES BY THE CONTRACTOR PERFORMING THE TRENCH EXCAVATION THAT SUCH CONTRACTOR WILL COMPLY WITH THE APPLICABLE TRENCH SAFETY STANDARDS.
C. A SEPARATE ITEM IDENTIFYING THE COST OF COMPLIANCE WITH THE APPLICABLE TRENCH SAFETY STANDARDS.
3. WHERE A BID IS NOT SUBMITTED, THE CONTRACTOR SHALL SUBMIT THE INFORMATION LISTED IN ITEM 2, TO THE ENGINEER PRIOR TO STARTING WORK.
D. SURVEY DATA: ALL ELEVATIONS ON THE PLANS, OR REFERENCED IN THE SPECIFICATIONS ARE BASED ON NORTH AMERICAN VERTICAL DATUM OF 1988 (NAVD 88).

II. PRECONSTRUCTION RESPONSIBILITY

- A. UPON RECEIPT OF NOTICE OF AWARD, THE CONTRACTOR SHALL ARRANGE A PRECONSTRUCTION CONFERENCE TO INCLUDE THE TOWN OF SOUTHWEST RANCHES ENGINEERING DIVISION, THE OWNER, AND THE ENGINEER, AFTER OBTAINING A CONSTRUCTION PERMIT FROM THE ENGINEERING DIVISION
B. THE CONTRACTOR SHALL OBTAIN A "SUNSHINE CERTIFICATION NUMBER" AT LEAST 48 HOURS PRIOR TO BEGINNING ANY EXCAVATION.
C. PRIOR TO BEGINNING CONSTRUCTION, THE CONTRACTOR SHALL VERIFY THE SIZE, LOCATION, ELEVATION, AND MATERIAL OF ALL EXISTING UTILITIES WITHIN THE AREA OF CONSTRUCTION.
D. THE CONTRACTOR SHALL BE RESPONSIBLE FOR DAMAGE TO ANY EXISTING UTILITIES FOR WHICH HE FAILS TO REQUEST LOCATIONS SUNSHINE CERTIFICATION NUMBER. HE IS RESPONSIBLE AS WELL FOR DAMAGE TO ANY EXISTING UTILITIES WHICH ARE PROPERLY LOCATED.
E. IF UPON EXCAVATION, AN EXISTING UTILITY IS FOUND TO BE IN CONFLICT WITH THE PROPOSED CONSTRUCTION OR TO BE OF A SIZE OR MATERIAL DIFFERENT FROM THAT SHOWN ON THE PLANS, THE CONTRACTOR SHALL IMMEDIATELY NOTIFY THE ENGINEER, WHO WILL IN TURN NOTIFY THE TOWN OF SOUTHWEST RANCHES UTILITIES DEPARTMENT.

III. INSPECTIONS

- THE CONTRACTOR SHALL NOTIFY THE TOWN OF SOUTHWEST RANCHES ENGINEERING DIVISION 954-434-0008, SBDD 954-680-3337, AND THE ENGINEER OF RECORD AT LEAST 24 HOURS PRIOR TO THE INSPECTION OF THE FOLLOWING ITEMS:
A. 1. STORM DRAINAGE.
2. SANITARY SEWER.
3. WATER SYSTEM.
4. SUBGRADE SUBMIT AND HAVE APPROVED DENSITIES PRIOR TO PLACEMENT OF ROCK.
5. LIMEROCK BASE. SUBMIT AND HAVE APPROVED DENSITIES AND AS-BUILT PRIOR TO THE PLACEMENT OF ANY ASPHALT.
6. ASPHALTIC CONCRETE.
7. FINAL.
B. ALL INSPECTIONS MADE BY THE TOWN OF SOUTHWEST RANCHES, SBDD, AND FDOT THE ENGINEER OF RECORD WILL PROVIDE CONSTRUCTION OBSERVATION SERVICES.

IV. SHOP DRAWINGS

- A. PRIOR TO ISSUANCE OF A CONSTRUCTION PERMIT, A MATERIAL LIST SHALL BE SUBMITTED TO AND REVIEWED BY THE ENGINEER OF RECORD AND THE TOWN OF SOUTHWEST RANCHES FOR SANITARY MANHOLES, HYDRANTS, VALVES, PIPING, LIFT STATIONS AND OTHER ACCESSORIES. CATALOGUE LITERATURE SHALL BE SUBMITTED FOR WATER AND SEWER PIPES, FITTINGS AND APPURTENANCES.
B. ANY PRODUCT THAT IS NOT ON THIS LIST MUST BE APPROVED IN ADVANCE BY THE ENGINEER OF RECORD AND THE TOWN OF SOUTHWEST RANCHES ENGINEERING DIVISION. SUCH APPROVAL REQUIRES THE SUBMISSION OF A SHOP DRAWING (SIX COPIES) FOR EACH PRODUCT. SHOP DRAWINGS WILL ALSO BE REQUIRED FOR ALL NON-STANDARD ITEMS
C. INDIVIDUAL SHOP DRAWINGS FOR ALL PRECAST STRUCTURES ARE REQUIRED. CATALOGUE LITERATURE WILL NOT BE ACCEPTED FOR PRECAST STRUCTURES.

V. TEMPORARY FACILITIES

- A. TEMPORARY UTILITIES:
1. IT SHALL BE THE CONTRACTOR'S RESPONSIBILITY TO ARRANGE FOR OR SUPPLY TEMPORARY WATER SERVICES, SANITARY FACILITIES AND ELECTRICITY TO HIS 'EMPLOYEE' AND SUBCONTRACTORS FOR THEIR USE DURING CONSTRUCTION.
2. OBTAIN CONSTRUCTION METER FOR ALL WATER USED ON JOB. ALL WATER USED FOR CLEANING, TESTING, ETC. WILL BE PAID FOR BY THE CONTRACTOR. IF WATER CAN NOT BE METERED THEN IT WILL BE CALCULATED.
B. TRAFFIC REGULATION:
1. MAINTENANCE OF TRAFFIC IN THE PUBLIC RIGHT-OF-WAY SHALL BE IN ACCORDANCE WITH THE MUTCD AND BCTED.
2. ALL OPEN TRENCHES AND HOLES ADJACENT TO ROADWAYS OR WALKWAYS SHALL BE MARKED AND BARRICADED TO ASSURE THE SAFETY OF BOTH VEHICULAR AND PEDESTRIAN TRAFFIC.
3. NO TRENCHES OR HOLES NEAR WALKWAYS OR IN ROADWAYS OR THEIR SHOULDERS ARE TO BE LEFT OPEN DURING NIGHTTIME HOURS WITHOUT EXPRESS PERMISSION OF THE TOWN OF SOUTHWEST RANCHES.

VI. PROJECT CLOSE OUT

- A. CLEANING UP:
1. DURING CONSTRUCTION, THE PROJECT SITE AND ALL ADJACENT AREAS SHALL BE MAINTAINED IN A NEAT AND CLEAN MANNER. UPON FINAL CLEAN UP, THE PROJECT SITE SHALL BE LEFT CLEAR OF ALL SURPLUS MATERIAL OR TRASH. THE PAVED AREAS SHALL BE SWEEP BROOM CLEAN.
2. THE CONTRACTOR SHALL RESTORE OR REPLACE, WHEN AND AS DIRECTED BY THE ENGINEER OR THE TOWN OF SOUTHWEST RANCHES, ANY PUBLIC OR PRIVATE PROPERTY DAMAGED BY HIS WORK, EQUIPMENT, EMPLOYEES OR THOSE OF HIS SUBCONTRACTORS TO A CONDITION AT LEAST EQUAL TO THAT EXISTING IMMEDIATELY PRIOR TO THE BEGINNING OF OPERATIONS. TO THIS END, THE CONTRACTOR SHALL DO AS REQUIRED, ALL NECESSARY HIGHWAY OR DRIVEWAY, SIDEWALK AND LANDSCAPING WORK. SUITABLE MATERIALS AND METHODS SHALL BE USED FOR SUCH RESTORATION.
3. WHERE MATERIAL OR DEBRIS HAS WASHED OR FLOWED INTO OR BEEN PLACED IN WATER WATER COURSES, GRAVITY SEWER, DITCHES, DRAINS, CATCH BASINS, OR ELSEWHERE AS A RESULT OF THE CONTRACTOR'S OPERATIONS, SUCH MATERIAL OR DEBRIS SHALL BE REMOVED AND SATISFACTORILY DISPOSED OF DURING PROGRESS OF THE WORK, AND THE AREA KEPT IN A CLEAN AND NEAT CONDITION.
4. WHEN WORKING IN AND AROUND EXISTING DRAINAGE CANALS, APPROPRIATE SILT BARRIERS SHALL BE INSTALLED AS REQUIRED BY SOUTH BROWARD DRAINAGE DISTRICT.
B. PROJECT RECORD DOCUMENTS:
1. THE CONTRACTOR SHALL MAINTAIN ACCURATE AND COMPLETE RECORDS OF ALL WORK ITEMS COMPLETED.
2. ALL "AS-BUILT" INFORMATION SUBMITTED TO THE ENGINEER SHALL BE SUFFICIENTLY ACCURATE, CLEAR AND LEGIBLE TO SATISFY THE ENGINEER THAT THE INFORMATION PROVIDED A TRUE REPRESENTATION OF THE IMPROVEMENTS CONSTRUCTED.

- 3. UPON COMPLETION OF CONSTRUCTION, THE CONTRACTOR SHALL SUBMIT TO THE ENGINEER OF RECORD ONE COMPLETE SET OF "AS-BUILT" CONSTRUCTION DRAWINGS. THESE DRAWINGS SHALL BE MARKED TO SHOW "AS-BUILT" CONSTRUCTION CHANGES SIMILAR TO THE DESIGNATED LOCATIONS AND ELEVATIONS OF ALL IMPROVEMENTS AND SHALL BE SIGNED BY THE CONTRACTOR.
4. ALL "AS-BUILT" INFORMATION ON ELEVATIONS, STATIONING OFFSETS AND TIES OF THE WATER, SANITARY SEWER, PAVING AND DRAINAGE SHALL BE CERTIFIED BY A REGISTERED LAND SURVEYOR.
5. "AS-BUILT" INFORMATION ON THE WATER SYSTEM SHALL INCLUDE, BUT IS NOT LIMITED TO LOCATIONS OF ALL VALVES, FITTINGS, FIRE HYDRANTS AND WATER SERVICES AND TOP-OF-PIPE ELEVATION ON 100-FOOT INTERVALS AT A MINIMUM.
6. PRIOR TO A FINAL INSPECTION BY THE TOWN OF SOUTHWEST RANCHES, THE ENGINEER SHALL SUBMIT TWO (2) SETS OF BLUEPRINTS OF "AS-BUILT" CONSTRUCTION DRAWINGS.
7. UPON A FINAL INSPECTION BY THE TOWN OF SOUTHWEST RANCHES, THE ENGINEER SHALL SUBMIT TO THE CITY ONE (1) COMPLETE SET OF REPRODUCIBLE MYLARS AND THREE (3) SETS OF BLUEPRINTS OF "AS-BUILT" CONSTRUCTION DRAWINGS THAT HAVE BEEN CERTIFIED BY A REGISTERED LAND SURVEYOR AND THE ENGINEER OF RECORD AND COMPUTER FILES OF "AS-BUILT" CONSTRUCTION DRAWINGS ON 3-1/2" FLOPPY DISKS IN AUTOCAD RELEASE 14 FORMAT OR LATEST REVISION.
8. PRIOR TO PLACEMENT OF ANY ASPHALT OR CONCRETE PAVEMENT, THE CONTRACTOR SHALL SUBMIT TO THE ENGINEER "AS-BUILT" PLANS SHOWING LIMEROCK BASE GRADES AND AT DRAINAGE, WATER, AND SEWER IMPROVEMENTS, PAVING OPERATIONS SHALL NOT COMMENCE UNTIL THE ENGINEER AND THE TOWN OF SOUTHWEST RANCHES HAVE REVIEWED AND APPROVED THE "AS-BUILTS".
9. ALL REQUIRED DENSITY AND LBR TEST RESULTS FOR SUBGRADE SHALL BE PROVIDED TO THE ENGINEER AND THE TOWN OF SOUTHWEST RANCHES PRIOR TO THE PLACING THE LIMEROCK BASE MATERIAL.
10. ALL REQUIRED DENSITY AND LBR TEST RESULTS FOR LIMEROCK SHALL BE PROVIDED TO AND APPROVED BY THE ENGINEER AND THE TOWN OF SOUTHWEST RANCHES PRIOR TO PLACING ASPHALT.

VII. WATER DISTRIBUTION AND/OR SEWAGE FORCE MAIN SYSTEM

- A. GENERAL:
1. THE CONTRACTOR SHALL NOTIFY THE CITY OF SOUTHWEST RANCHES UTILITIES DEPARTMENT AND THE ENGINEER OF RECORD NO LATER 24 HOUR PRIOR TO MAKING CONNECTIONS TO EXISTING SYSTEMS. A TOWN OF SOUTHWEST RANCHES ENGINEERING DIVISION REPRESENTATIVE AND THE ENGINEER OF RECORD MUST BE PRESENT.
2. SEPARATION OF WATER AND SEWER MAINS:
A. PARALLEL WATER AND SEWER MAINS SHALL HAVE A MINIMUM 10 FEET HORIZONTAL SEPARATION. WHERE THIS IS NOT POSSIBLE, THE SEWER MAIN SHALL BE IN A SEPARATE TRENCH AND BE AT LEAST 18 INCHES BELOW THE WATER MAIN AND BOTH MAINS SHALL BE DUCTILE IRON PER PRESSURE PIPE SPECIFICATIONS.
B. THE SEWER MAIN SHALL CROSS BELOW ALL WATER MAINS WITH A MINIMUM OF 18 INCHES VERTICAL CLEARANCE. WHERE THE CLEARANCE IS LESS THAN 18 INCHES, THE SEWER MAIN AND THE WATER MAIN SHALL BE DUCTILE IRON PIPE, WITH A MINIMUM 12 INCHES TO 20 FEET CENTER TO CENTER OF CROSSING. ALL JOINTS ON THE WATER MAIN WITHIN 20 FEET OF THE CROSSING SHALL BE MECHANICALLY RESTRAINED.
C. IF A SEWER MAIN MUST CROSS ABOVE A WATER MAIN, REGARDLESS OF VERTICAL CLEARANCE, THE PRECAUTION IN ITEM (B.) ABOVE SHALL BE TAKEN.
3. NO CONNECTIONS TO THE EXISTING LINES SHALL BE MADE UNTIL PRESSURE TESTS FOR THE WATER MAINS AND SEWER FORCE MAINS, AND BACTERIOLOGICAL TESTS HAVE BEEN PERFORMED AND THE SYSTEM IS ACCEPTABLE TO THE TOWN OF SOUTHWEST RANCHES AND THE FLORIDA DEPARTMENT OF ENVIRONMENTAL PROTECTION (FDEP).
4. CLEANING OF NEWLY INSTALLED PIPING SYSTEMS SHALL BE ACCOMPLISHED USING PIPE PIGGING METHODS. OPEN FLUSHING SHALL NOT BE ALLOWED WITHOUT PRIOR APPROVAL OF THE UTILITIES DEPARTMENT. ALL WATER WILL BE ACCOUNTED FOR.
5. ALL EFFORTS SHALL BE MADE SO THAT WATER AND FORCE MAINS CROSS ABOVE DRAINAGE LINES WITH ADEQUATE COVER AND SEPARATION. IF THIS IS NOT POSSIBLE, IT SHALL BE INDICATED ON THE PLANS.
6. A THREE (3) FOOT LATERAL SEPARATION SHALL BE MAINTAINED BETWEEN WATER/SEWER LINES AND OBSTRUCTIONS (I.E., CATCH BASINS, CONCRETE POLES, ETC.), FIVE (5) FEET FROM TREES.
7. THE MAXIMUM DEPTH TO THE BOTTOM OF THE PRESSURE MAIN INSTALLED SHALL NOT EXCEED SIX (6) FEET UNLESS APPROVED BY THE TOWN OF SOUTHWEST RANCHES ENGINEERING DIVISION.
8. RESTRAINED JOINTS SHALL BE USED, IN LIEU OF CONCRETE THRUST BLOCKS, AT ALL CHANGES IN DIRECTION OF WATER MAINS, SEWAGE FORCE MAINS AND ELSEWHERE AS INDICATED ON THE DRAWINGS. RESTRAIN ALL PIPE JOINTS WITHIN THE DISTANCES ON EACH SIDE OF FITTINGS AS REQUIRED TO PROPERLY RESTRAIN AND SUPPORT BENDS, TEES, VALVES, DEAD ENDS AND OTHER SUCH FITTINGS WITH THE EXCEPTION OF FIRE HYDRANTS.

- B. MATERIALS:
1. PIPE: THE WATER MAIN AND/OR SEWAGE FORCE MAIN SHALL BE EITHER POLYVINYL CHLORIDE (PVC) OR DUCTILE IRON PIPE (DIP) AND SHALL BE DESIGNED FOR A MINIMUM WORKING PRESSURE OF 150 PSI.
A. PVC PIPE SHALL BE ASTM 1120 PRESSURE PIPE WITH IRON O.D., CLASS 150 (DR 18), CONFORMING TO ANSI/AWWA C900-97 OR C905-97 AND SHALL HAVE PUSH RUBBER GASKET JOINTS.
B. SHALL BE CLASS 350 WALL THICKNESS (UP TO 12") CLASS 300 (14"-18") CLASS 250 (20" OR GREATER) WITH INTERIOR CEMENT LINING AND EXTERIOR COAL TAR COATING CONFORMING TO ANSI/AWWA C151/A21.51-02, OR LATEST REVISION. SEWAGE PIPE SHALL BE EITHER DOUBLE CEMENT CONFORMING TO ANSI/AWWA C104/A21.4-95 OR LATEST REVISION, OR POLYETHYLENE CONFORMING TO ANSI/AWWA C105/A21.5-93 OR LATEST REVISION, OR APPROVED EQUAL. THE PIPE SHALL WITHSTAND A WORKING PRESSURE OF 350 PSI. THE JOINTS SHALL BE BELL AND SPIGOT PUSH ON TYPE, MECHANICAL JOINT OR FLANGED. FLANGED PIPE SHALL CONFORM WITH THE PHYSICAL AND CHEMICAL REQUIREMENTS AS SET FORTH IN THE HANDBOOK OF DUCTILE IRON PIPE OF THE CAST IRON PIPE RESEARCH ASSOCIATION.
2. FITTINGS: FITTINGS SHALL BE DUCTILE IRON COMPACT MECHANICAL JOINT AND SHALL BE CLASS 350 THROUGHOUT. FITTINGS SHALL BE CLASS 300 FOR WATER MAINS, AND CLASS 250 IN SIZES 24" AND LARGER, CONFORMING TO ANSI/AWWA C110/A21.10-98, OR LATEST REVISION, COMPLETE WITH GLANDS, GASKETS, BOLTS AND NUTS. ALL FITTINGS SHALL BE CEMENT LINED AND SEAL COATED WITH THE SAME AS PIPE.
3. VALVES:
A. VALVES SHALL BE GATE VALVES FOR WATER (4"-12" SIZE), BUTTERFLY VALVES FOR FOR WATER (16" AND UP SIZE) OR PLUG VALVES FOR FORCE MAIN (ALL SIZES).
I. GATE VALVES SHALL BE IRON BODY, FULLY RESILIENT SEAT, BRONZE MOUNTED NON-RISING STEM, DOUBLE DISC, RATED AT 200 PSI AND CONFORMING TO ANSI/AWWA C500-01 OR LATEST REVISION. EXPOSED VALVES SHALL BE OUTSIDE SCREW AND YOKE TYPE.
II. BUTTERFLY VALVES AND OPERATORS SHALL CONFORM TO ANSI/AWWA C504-00 STANDARD FOR RUBBER SEATED BUTTERFLY VALVES, OR LATEST REVISIONS. VALVES SHALL BE CLASS 150 A OR B.
III. PLUG VALVES SHALL BE SEMI-STEEL BODY, NON-LUBRICATED, ECCENTRIC TYPE, WITH RESILIENT FACED PLUGS, AND CAPABLE OF DRIP-TIGHT SHUT OFF AT THE RATED PRESSURE IF APPLIED AT EITHER PORT. VALVES ARE TO BE EQUIPPED WITH ACTUATOR NUTS, CAST IRON HANDWHEELS OR CHAIN OPERATORS, WITH GALVANIZED STEEL CHAINS, AS APPROPRIATE FOR THE INSTALLATION AND TYPE OF OPERATOR.
B. AIR RELEASE VALVES
I. SEWER FORCE MAIN AIR RELEASE VALVES - SYSTEM SHALL BE A COMBINATION OF ONE SEWAGE AIR RELEASE VALVE AND ONE SEWAGE AIR/VACUUM VALVE WITH DUAL ISOLATION PLUG VALVES. BOTH VALVE BODIES AND COVERS SHALL BE OF CAST IRON CONSTRUCTION, ASTM A126-B. ALL INTERNAL PARTS SHALL BE STAINLESS STEEL, ASTM A-40 TYPE 304 AND ASTM A276 - TYPE 303. THE VENTING ORIFICE SHALL BE 5/16" IN DIAMETER WITH STAINLESS STEEL SEAT. THE INLET OPENINGS SHALL BE A MINIMUM OF 2" NPT SCREWED CONNECTION FOR BOTH VALVES. THE VALVES SHALL FULLY CAPABLE OF OPERATION IN SEWAGE FORCE MAIN. BOTH VALVES SHALL INCLUDE A BACK-FLUSHING FEATURE FOR PERIODIC CLEANING OF THE INTERNAL MECHANISM. THE OVERALL HEIGHT SHALL NOT EXCEED 22-1/2 INCHES.
II. WATER MAIN AIR RELEASE VALVES - VALVE BODY AND COVER SHALL BE OF CAST IRON CONSTRUCTION, ASTM A126-B. ALL INTERNAL WORKING PARTS SHALL BE OF STAINLESS STEEL, ASTM A240, TYPE 303 FOR THE FLOAT AND ASTM A296 - TYPE 316 FOR THE LINKAGE. THE VENTING ORIFICE SHALL BE 3/16" IN DIAMETER WITH BRASS SEAT. THE INLET OPENING SHALL BE A 2" NPT SCREWED CONNECTION. THE OVERALL HEIGHT SHALL NOT EXCEED 13 INCHES.

- C. A REFLECTIVE PAVEMENT MARKER SHALL BE INSTALLED IN THE CENTER OF THE NEAREST LANE OF ROAD PAVEMENT ADJACENT TO ALL VALVE LOCATIONS OUTSIDE THE ROAD PAVEMENT. WATER MARKERS SHALL BE WHITE, SEWER MARKERS SHALL BE GREEN.
4. FIRE HYDRANTS:
A. FIRE HYDRANTS SHALL HAVE A MINIMUM 5 1/4" VALVE OPENING AND SHALL OPEN AGAINST THE PRESSURE AND CLOSE WITH THE FLOW. HYDRANTS SHALL MEET OR EXCEED ANSI/AWWA C502-94, C503-97 OR LATEST REVISION, AND SHALL COMPLY WITH FACTORY MUTUAL RESEARCH CORPORATION AND UNDERWRITERS LABORATORIES UL246 STANDARD.
B. A BLUE REFLECTIVE PAVEMENT MARKER SHALL BE PROVIDED IN THE CENTER OF THE NEAREST LANES OF ROAD PAVEMENT ADJACENT TO ALL FIRE HYDRANT LOCATIONS.
5. DETECTOR TAPE:
DETECTOR TAPE SHALL BE 3" WIDE BLUE TAPE FOR WATER MAIN AND BROWN TAPE FOR FORCE MAIN, WITH A METALLIZED FOIL CORE LAMINATED BETWEEN 2 LAYERS OF PLASTIC FILM. THE WORDS "CAUTION WATER LINE BURIED BELOW" OR "CAUTION FORCE MAIN BURIED BELOW" SHALL BE PRINTED AT 30" INTERVALS ALONG THE TAPE. TAPE SHALL BE PLACED 18" BELOW GRADE ABOVE ALL PVC MAINS AND SERVICES OR AS RECOMMENDED BY MANUFACTURER. NONMETALLIC TAPE SHALL BE USED ABOVE DUCTILE IRON PIPE. ALL WATER MAIN INSTALLATIONS SHALL COMPLY WITH THE COLOR CODING REQUIREMENTS OF CHAPTER 62-555.320, FAC.
6. SERVICE CONNECTIONS:
A. SERVICE SADDLES SHALL BE DUCTILE IRON EPOXY OR NYLON COATED WITH DOUBLE STAINLESS STEEL STRAPS OR SINGLE WIDE STRAP. SADDLES SHALL CONFORM TO ANSI/AWWA C111/21.11-00 AND ASTM A-588 OR LATEST REVISION.
B. SERVICE LINES SHALL BE POLYETHYLENE (PE) TUBING AS DESCRIBED IN ANSI/AWWA C901-02 OR LATEST REVISION, WITH A WORKING PRESSURE OF 200 PSI (OR 9). PIPE JOINTS SHALL BE EITHER COMPRESSION TYPE OR TIGHTLY CONTINUED GEL SEAL AND COUPLING NUT. POLYETHYLENE SHALL BE EXTRUDED FROM PE 3408 HIGH MOLECULAR WEIGHT MATERIAL AND MUST CONFORM TO ASTM D-2737.
C. CORPORATION STOPS SHALL BE MANUFACTURED OF BRASS ALLOY IN ACCORDANCE ASTM B-62 WITH THREADED ENDS.
D. METER STOPS SHALL BE THE 90 DEGREE LOCKWING TYPE AND SHALL BE OF BRONZE CONSTRUCTION IN ACCORDANCE WITH ASTM B-62. METER STOPS SHALL BE CLOSED BUTTON DESIGN AND RESILIENT "O" RING SEALED AGAINST EXTERNAL LEAKAGE AT THE TOP. STOPS SHALL BE EQUIPPED WITH A METER COUPLING NUT ON THE OUTLET SIDES.
E. METER AND METER BOXES 2" OR LESS ARE SUPPLIED BY THE TOWN OF SOUTHWEST RANCHES AT THE OWNER'S EXPENSE.
7. TAPPING SLEEVES: TAPPING SLEEVES SHALL BE DUCTILE IRON, ASTM GRADE 65-45-12, MECHANICAL JOINT.
8. VALVE BOXES:
A. VALVE BOXES FOR WATER MAINS AND SEWER FORCE MAINS SHALL BE ADJUSTABLE SCREW TYPE WITH 5-1/4" SHAFT, 18 TO 24 INCH EXTENSION, CAST IRON ASTM-A48 CLASS 30 MARKED "WATER" OR "SEWER".
B. VALVE BOXES FOR BLOW-OFF ASSEMBLY SHALL BE CAST IRON ASTM A-48 CLASS 30 MARKED "W".
9. RETAINER GLANDS: RETAINER GLANDS SHALL CONFORM TO ANSI/AWWA C111/A21.11-00 OR LATEST REVISION. ALL GLANDS SHALL BE MANUFACTURED FROM DUCTILE IRON AS LISTED BY UNDERWRITERS LABORATORIES FOR 250 PSI MINIMUM WATER PRESSURE RATING.
10. DOUBLE CHECK VALVE BACKFLOW PREVENTION ASSEMBLY: THE ASSEMBLY SHALL CONFORM TO ANSI/AWWA C510-97, OR LATEST REVISION, AND CAPABLE OF WITHSTANDING A WORKING PRESSURE OF AT LEAST 150 PSI WITHOUT DAMAGE TO WORKING PARTS OR IMPAIRMENT OF FUNCTION. IT SHALL CONSIST OF TWO INTERNALLY LOADED, INDEPENDENTLY OPERATING CHECK VALVES, LOCATED BETWEEN TWO TIGHTLY CLOSING RESILIENT-SEALED SHUT OFF VALVES, WITH FOUR PROPERLY PLACED RESILIENT-SEALED TEST COCKS.
C. INSTALLATION:
1. GENERAL: CONNECTION OF ALL NEW SYSTEMS TO EXISTING MAINS SHALL BE DONE USING ONE OF THE THREE FOLLOWING METHODS:
A. METHOD "A" PER FLORIDA DEPARTMENT OF ENVIRONMENTAL PROTECTION (FDEP) STANDARDS, WHICH INVOLVES A REDUCED SIZE TEMPORARY CONNECTION BETWEEN THE EXISTING MAIN AND THE NEW MAIN.
B. METHOD "B" PER FLORIDA DEPARTMENT OF ENVIRONMENTAL PROTECTION (FDEP) STANDARDS, WHICH INVOLVES A DIRECT CONNECTION BETWEEN THE NEW AND EXISTING MAINS USING TWO GATE VALVES SEPARATED BY A SLEEVE WITH A VENT PIPE.
C. METHOD "C" APPROVED BY THE FLORIDA DEPARTMENT OF ENVIRONMENTAL PROTECTION (FDEP), WHICH INVOLVES A TAP WITH ONE GATE VALVE REQUIRING DISINFECTION OF THE NEW SYSTEM PRIOR TO CONDUCTING THE PRESSURE TEST.
2. BEDDING: BEDDING AND INITIAL BACKFILL (12 INCHES ABOVE PIPE) FOR ALL PIPES SHALL BE SAND WITH NO ROCK LARGER THAN 1" IN DIAMETER. PEA ROCK OR 3/4" WASHED ROCK WILL BE IN WATER OR WHERE UNSUITABLE BEDDING EXISTS AT THE DISCRETION OF THE TOWN OF SOUTHWEST RANCHES. ALL OTHER FILL SHALL NOT HAVE ROCK LARGER THAN 6" IN DIAMETER.
3. PVC PIPE:
A. PVC PIPE SHALL BE INSTALLED IN ACCORDANCE WITH THE UNI-BELL PLASTIC PIPE ASSOCIATION'S GUIDE FOR INSTALLATION OF PVC PRESSURE PIPE FOR MUNICIPAL WATER DISTRIBUTION SYSTEMS.
B. PVC PIPE SHALL BE INSTALLED WITH A MINIMUM OF 36" COVER.
C. DETECTOR TAPE SHALL BE INSTALLED THE FULL LENGTH OF ALL PVC MAINS APPROXIMATELY 18" BELOW GRADE, COLOR SIDE UP.
4. DUCTILE IRON PIPE:
A. DIP SHALL BE INSTALLED IN ACCORDANCE WITH ANSI/AWWA C600-99 OR LATEST REVISION.
B. DIP SHALL BE INSTALLED WITH A MINIMUM OF 30" COVER.
C. IDENTIFICATION TAPE SHALL BE INSTALLED THE FULL LENGTH OF ALL DIP MAINS APPROXIMATELY 18" ABOVE THE MAIN, COLOR SIDE UP.
5. VALVES:
A. ALL VALVES SHALL BE INSTALLED WITH ADJUSTABLE CAST IRON VALVE BOXES WITH THE WORD "WATER" OR "SEWER" CAST IN THE COVER.
B. MAIN VALVES SHALL BE LOCATED ON AN EXTENSION OF THE RIGHT-OF-WAY LINE UNLESS DIMENSIONED OTHERWISE.
C. MAIN VALVES SHALL BE INSTALLED AWAY FROM PARKING AREAS. IF THIS IS UNAVOIDABLE, PROPER MEASURES SHALL BE TAKEN TO AVOID THE PARKING OF VEHICLES OVER THE VALVES. HYDRANT VALVES SHALL BE INSTALLED AS CLOSE TO THE MAIN AS POSSIBLE. VALVES SHALL BE INSTALLED IN PARKING STALLS REQUIRE A REFLECTIVE PAVEMENT MARKER ON THE CENTER OF THE NEAREST LANE OF ROAD PAVEMENT. WHITE REFLECTORS FOR WATER MAIN VALVES, GREEN REFLECTORS FOR FORCE MAIN VALVES.
D. THE DISTANCE FROM THE TOP OF THE VALVE ACTUATOR NUT TO FINAL GRADE SHALL BE A MINIMUM OF 12 INCHES AND A MAXIMUM OF 18 INCHES.
6. SERVICE:
A. COVER OVER SERVICE LINES SHALL BE 18 INCHES MINIMUM, 24 INCHES MAXIMUM BELOW FINISHED GRADE AND 24 INCHES UNDER PAVEMENT.
B. POLYETHYLENE SHALL BE BEDDED IN BACKFILL OF SAND WITH NO ROCK GREATER THAN 1 INCH IN DIAMETER.
C. METER STOPS SHALL HAVE 8 INCHES TO 10 INCHES COVER OR AS REQUIRED FOR PROPER METER/BOX INSTALLATION.
D. WATER SERVICES UNDER PAVEMENT SHALL BE ENCASED IN A SCHEDULE 80 PVC SLEEVE FOR THE FULL LENGTH OF THE PAVEMENT AND FOR 2 FEET BEYOND THE EDGE.
E. THE END OF EACH SERVICE CONNECTION SHALL BE MARKED WITH A 2" X 4" TREATED STAKE, PAINTED BLUE, EXTENDING 18 INCHES (MINIMUM) ABOVE GRADE UNLESS INDICATED OTHERWISE.
D. TESTING:
1. THE PHYSICAL CONNECTION OF THE NEW SYSTEM TO THE EXISTING SYSTEM SHALL BE DONE IN ACCORDANCE WITH SECTION "C-1." (THIS DOCUMENT) WHICH WILL DICTATE THE ORDER OF THE PRESSURE TESTING AND DISINFECTION.

- 2. THE COMPLETE WATER SYSTEM SHALL BE PRESSURE TESTED AND DISINFECTED. THE PRESSURE TEST SHALL BE FOR TWO HOURS AT 150 PSI MINIMUM TEST PRESSURE IN ACCORDANCE WITH ANSI/AWWA C600-05 OR LATEST REVISION. THE PRESSURE TEST SHALL NOT VARY MORE THAN 5 PSI DURING THE TEST. LEAKAGE ALLOWANCES WILL NOT BE MADE FOR FITTINGS OR VALVES.
3. ALLOWABLE LEAKAGE SHALL NOT EXCEED THE FORMULA OF:
L (GALLONS PER HOUR) = (S * D * P) / 148,000
L = ALLOWABLE LEAKAGE IN GALS/HR (NO ALLOWABLE LEAKAGE FOR VALVES)
S = LENGTH OF PIPE TESTED IN FEET
D = NOMINAL DIAMETER OF PIPE IN INCHES
P = AVERAGE TEST PRESSURE DURING TEST IN LBS/SQ. IN.
4. THE PRESSURE TEST SHALL BE WITNESSED BY A REPRESENTATIVE OF THE TOWN OF SOUTHWEST RANCHES ENGINEERING DIVISION AND THE ENGINEER OF RECORD.
5. SAMPLING POINTS SHALL BE PROVIDED AT THE LOCATIONS SHOWN ON THE PLANS OR AS DIRECTED BY THE BROWARD COUNTY HEALTH DEPARTMENT. IF NOT SPECIFIED, SAMPLING POINTS SHALL BE PROVIDED AT INTERVALS OF 1200 FEET MAXIMUM FOR LINES GREATER THAN 1200 FEET IN LENGTH. PROVIDE A MINIMUM OF TWO SAMPLING POINTS FOR ALL OTHER TEST SEGMENTS.
6. BEFORE ACCEPTANCE FOR OPERATION, THE WATER SYSTEM SHALL BE DISINFECTED IN ACCORDANCE WITH ANSI/AWWA C851-05 OR LATEST REVISION WITH APPROVED BACTERIOLOGICAL SAMPLES AND PROPER DOCUMENTATION BY FLORIDA DEPARTMENT OF ENVIRONMENTAL PROTECTION (FDEP). THE COLLECTION OF SAMPLES IS THE CONTRACTOR'S RESPONSIBILITY AND WILL BE WITNESSED BY A TOWN OF SOUTHWEST RANCHES ENGINEERING DIVISION REPRESENTATIVE.

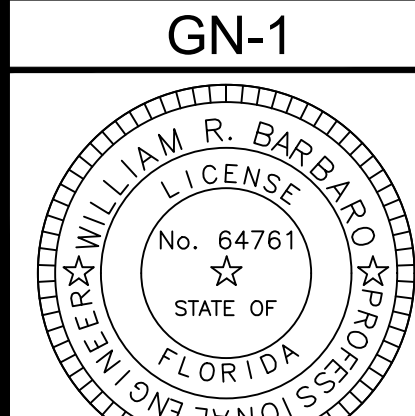
VIII. GRAVITY SEWAGE COLLECTION SYSTEM

- A. MATERIALS:
1. SEWER PIPE AND FITTINGS:
A. PVC SEWER PIPE AND FITTINGS SHALL BE NON-PRESSURE POLYVINYL CHLORIDE PIPE CONFORMING TO ASTM D-3034, SDR 35, WITH PUSH-ON RUBBER GASKET JOINTS UNLESS OTHERWISE NOTED.
B. DUCTILE IRON PIPE (DIP) SHALL BE DOUBLE CEMENT CONFORMING TO ANSI/AWWA C104/A21.4-95, OR LATEST REVISION, OR POLYETHYLENE LINED INSIDE CONFORMING TO ANSI/AWWA C105/A21.5-93, OR APPROVED EQUAL AND SHALL HAVE A COAL TAR EPOXY COATING MANUFACTURED IN ACCORDANCE TO ANSI/AWWA C151/A21.51-96, OR LATEST REVISION, MINIMUM WALL THICKNESS CLASS 350 (UNLESS OTHERWISE SPECIFIED).
C. ALL FITTINGS AND ACCESSORIES SHALL BE AS MANUFACTURED OR SUPPLIED BY THE PIPE MANUFACTURER.
2. MANHOLES:
A. MANHOLES SHALL BE PRECAST PER ASTM C-478 TYPE II WITH 4000 PSI CONCRETE AND GRADE 40 STEEL. MONOLITHICALLY Poured BASES ONLY.
B. MANHOLE OPENINGS ARE TO BE SEALED WITH ANTI-HYDRO CEMENT OR APPROVED EQUAL. NO MOLDING PLASTER WILL BE ALLOWED.
C. MANHOLE JOINTS SHALL BE SEALED WITH "RAMNEK" GASKETS OR APPROVED EQUAL AND WITH ANTI-HYDRO CEMENT ON THE INSIDE AND OUTSIDE.
B. INSTALLATION
1. PIPE AND FITTINGS:
A. SEWER PIPE SHALL BE INSTALLED IN ACCORDANCE WITH ASTM D-2321, AND THE UNI-BELL PLASTIC PIPE ASSOCIATION'S RECOMMENDED PRACTICE FOR THE INSTALLATION OF PVC SEWER PIPE".
B. DIP SHALL BE INSTALLED IN ACCORDANCE WITH ANSI/AWWA C600-93, OR LATEST REVISION.
C. BEDDING AND INITIAL BACKFILL 12 INCHES OVER SEWER MAINS AND SERVICES SHALL BE SAND WITH NO ROCK LARGER THAN 1 INCH IN DIAMETER. PEA ROCK OR 3/4" WASHED ROCK WILL BE USED IN WATER OR WHERE UNSUITABLE BEDDING EXISTS AT THE DISCRETION OF THE TOWN OF SOUTHWEST RANCHES. ALL OTHER FILL SHALL NOT HAVE ROCK LARGER THAN 6 INCH IN DIAMETER.
D. PIPE CONNECTION INTO MANHOLE WALL SHALL BE DUCTILE IRON PIPE, GROUTED IN PLACE, OR CAST-IN NEOPRENE RUBBER BOOT, OR EQUAL AS APPROVED BY THE TOWN OF SOUTHWEST RANCHES.
E. GRAVITY SEWER MAINS INSTALLED DEEPER THAN TWELVE (12) FEET SHALL BE D.I.P. AND SHALL BE INSTALLED IN ACCORDANCE WITH ANSI/AWWA C600-93 OR LATEST REVISION.
2. MANHOLES:
A. MANHOLES SHALL BE SET PLUMB TO LINE AND GRADE ON FIRM CLEAN SUBGRADE PROVIDING UNIFORM BEARING UNDER THE BASE.
B. ALL OPENINGS AND JOINTS SHALL BE SEALED WATER-TIGHT.
C. THE ENTIRE INSIDE OF THE MANHOLES SHALL BE PAINTED WITH TWO COATS (8 MILS EACH, DRY) OF KOPPER'S 300-M BITUMASTIC COATING, OR APPROVED EQUAL. FIRST COAT RED, SECOND COAT BLACK. THE OUTSIDE OF EACH MANHOLE REQUIRES ONLY ONE COAT (8 MILS, DRY) OF THE SAME TYPE OF COATING.
D. MANHOLES SHALL BE INSTALLED AWAY FROM PARKING AREAS ON THE CENTERLINE OF THE ROADWAY. IF THIS IS UNAVOIDABLE, PROPER MEASURES SHALL BE TAKEN TO PROHIBIT THE PARKING OF VEHICLES OVER MANHOLES.
E. ORANGE REFLECTIVE PAVEMENT MARKERS SHALL BE PROVIDED ON THE CENTER OF THE NEAREST LANE OF ROAD PAVEMENT ADJACENT TO ALL MANHOLE LOCATIONS OUTSIDE THE ROAD PAVEMENT.
F. ALL LIDS SHALL BE PROVIDED WITH A POLYETHYLENE WATER TIGHT MANHOLE INSERT. THE COVER BODY SHALL BE MANUFACTURED TO THE DIMENSIONS AS SHOWN ON THE CONTRACT DRAWINGS TO ALLOW EASY INSTALLATION IN THE MANHOLE FRAME. THE INSERT SHALL BE PROVIDED WITH A LIFT STRAP ATTACHED TO THE COVER BODY.
3. SERVICE:
A. MINIMUM SLOPE OF ALL SERVICE LINES SHALL BE AS INDICATED IN THE "SOUTH FLORIDA BUILDING CODE" BROWARD COUNTY EDITION.
B. SERVICE LATERALS SHALL TERMINATE AT A DEPTH 30" BELOW FINISHED GRADE.
C. EACH SERVICE CONNECTION SHALL BE PLUGGED WATERTIGHT WITH AN APPROVED PLUG.
D. THE END OF EACH SERVICE CONNECTION SHALL BE MARKED WITH A 2" X 4" TREATED STAKE PAINTED RED, EXTENDING 18 INCHES (MINIMUM) ABOVE GRADE.
E. CONTRACTOR SHALL ROUGH IN RISER TO 1 FOOT ABOVE FINISHED GRADE AND PLUG. AT PROJECT COMPLETION, CUT BACK TO FINISHED GRADE.
F. CONNECTION OF SERVICES TO BUILDING'S PLUMBING SHALL BE COORDINATED WITH THE CITY'S BUILDING AND ZONING DEPARTMENT, PLUMBING SECTION.
C. TESTING:
1. AFTER CONSTRUCTION OF THE SEWER SYSTEM, THE ENTIRE SYSTEM SHALL BE LAMPED. SEWER LAMPING SHALL BE WITNESSED BY THE ENGINEER OF RECORD AND A REPRESENTATIVE FROM THE TOWN OF SOUTHWEST RANCHES ENGINEERING DIVISION.
2. AFTER CONSTRUCTION OF THE SEWER SYSTEM, THE TOWN OF SOUTHWEST RANCHES OR THE ENGINEER OF RECORD MAY REQUIRE A VISUAL INFILTRATION AND/OR EXFILTRATION TEST TO BE PERFORMED ON THE ENTIRE SYSTEM OR ANY PART THEREOF.
3. AN AIR TEST MAY BE SUBSTITUTED FOR THE WATER EXFILTRATION TEST, UPON APPROVAL OF THE TOWN OF SOUTHWEST RANCHES.
4. MANHOLE EXFILTRATION LEAKAGE SHALL NOT EXCEED 4 GALLONS PER DAY PER UNIT.
5. SEWER PIPE EXFILTRATION LEAKAGE SHALL NOT EXCEED 10 GALLONS PER DAY PER INCH DIAMETER PER MILE IN A TWO HOUR TEST PERIOD FOR ANY SECTION TESTED.
6. VISIBLE MANHOLE AND SEWER PIPE INFILTRATION LEAKAGE SHALL NOT BE PERMITTED.
7. SANITARY SEWER SHALL BE TELEVIEWED, AT DEVELOPER'S EXPENSE, PRIOR TO FINAL APPROVAL OF CONSTRUCTION. VIDEO TAPE AND REPORT SHALL BE EXAMINED BY THE TOWN OF SOUTHWEST RANCHES ENGINEERING DIVISION. OWNER CONTRACTOR SHALL BE RESPONSIBLE FOR CORRECTING OF ANY DEFICIENCIES PRIOR TO THE CITY'S CERTIFICATION OF COMPLETION TO ANY AGENCY.

SW 205TH AVE AND SW 49TH COURT DRAINAGE PROJECT TOWN OF SOUTHWEST RANCHES, FL 33332



SCALE: AS SHOWN DATE: 6/18/2024 DRAWN BY: R.T. CHECKED BY: W.B. DESIGNED BY: C.D.



WILLIAM R. BARBARO, P.E. FL REGISTRATION NO. - 64761

BID SET

6/18/24 P:\Projects_2024\240205 - TOWSR - Drainage for 205th\Plan Sets\CP\240205 - TOWSR - Drainage for 205th CN.dwg

1. NOTES ON WATER SEWER SEPARATION:

A. SANITARY SEWERS AND FORCE MAINS SHOULD CROSS UNDER WATER MAINS WHENEVER POSSIBLE. SANITARY SEWERS AND FORCE MAINS CROSSING WATER MAINS SHALL BE LAID TO PROVIDE A MINIMUM VERTICAL DISTANCE OF 18 INCHES BETWEEN THE INVERT OF THE UPPER PIPE AND THE CROWN OF THE LOWER PIPE WHENEVER POSSIBLE.

ALL CROSSING SHALL BE ARRANGED SO THAT THE SEWER PIPE JOINTS AND THE WATER MAIN PIPE JOINTS ARE EQUAL DISTANCE FROM THE POINT OF CROSSING (PIPES CENTERED ON THE CROSSING).

WHERE A NEW PIPE CONFLICTS WITH AN EXISTING PIPE WITH LESS THAN 18 INCHES VERTICAL CLEARANCE, THE NEW PIPE SHALL BE ARRANGED TO MEET THE CROSSING REQUIREMENTS ABOVE.

B. A MINIMUM 10-FOOT HORIZONTAL SEPARATION SHALL BE MAINTAINED BETWEEN ANY TYPE OF SEWER AND WATER MAIN PARALLEL INSTALLATIONS WHENEVER POSSIBLE. IN CASES WHERE IT IS NOT POSSIBLE TO MAINTAIN 10-FOOT HORIZONTAL SEPARATION, THE WATER MAIN MUST BE LAID IN A SEPARATE TRENCH OR ON AN UNDISTURBED EARTH SHELF LOCATED ON ONE SIDE OF THE SEWER OR FORCE MAIN AT SUCH AN ELEVATION THAT THE BOTTOM OF THE WATER MAIN IS AT LEAST 18 INCHES ABOVE THE TOP OF THE SEWER.

WHERE IT IS NOT POSSIBLE TO MAINTAIN A VERTICAL DISTANCE OF 18 INCHES IN PARALLEL INSTALLATIONS, THE WATER MAIN SHALL BE CONSTRUCTED OF D.I.P. AND THE SANITARY SEWER OR THE FORCE MAIN SHALL BE CONSTRUCTED OF D.I.P. WITH A MINIMUM VERTICAL DISTANCE OF 6 INCHES. IN THAT CASE THE WATER MAIN SHOULD BE ABOVE THE SEWER. JOINTS ON THE WATER SHALL BE LOCATED AS FAR APART AS POSSIBLE FROM JOINTS ON THE SEWER OR FORCE MAIN (STAGGERED JOINTS).

C. ALL D.I.P. SHALL BE CLASS 50 OR HIGHER. ADEQUATE PROTECTIVE MEASURE AGAINST CORROSION SHALL BE USED AS DETERMINED BY DESIGN.

GENERAL NOTE:

THE CONTRACTOR SHALL CONFORM TO THE MOST CURRENT AND MOST STRINGENT STANDARDS AND SPECIFICATION REQUIREMENTS FOR THE BROWARD COUNTY DEPARTMENT OF PLANNING AND ENVIRONMENTAL REGULATION AND THE TOWN OF SOUTHWEST RANCHES, PERTAINING TO ALL UTILITY PIPE SEPARATIONS.

X. EARTHWORK AND COMPACTION

A. GENERAL

- 1. NONE OF THE EXISTING MATERIAL IS TO BE INCORPORATED IN THE LIMEROCK BASE.
2. ALL SUBGRADE UNDER PAVED AREAS SHALL HAVE A MINIMUM LBR VALUE OF 40 AND SHALL BE COMPACTED TO 98% OF THE MAXIMUM DENSITY AS DETERMINED BY AASHTO T-180.
3. ALL FILL MATERIAL IN AREAS NOT TO BE PAVED SHALL BE COMPACTED TO 95% OF THE MAXIMUM DENSITY AS DETERMINED BY AASHTO T-180.
4. A 2" BLANKET OF TOP SOIL SHALL BE PLACED OVER ALL AREAS TO BE SODDED.
5. SOD SHALL BE ST. AUGUSTINE, BITTER BLUE OR FLORATAM AND SHALL BE PLACED ON THE GRADED TOP SOIL AND WATERED TO INSURE SATISFACTORY CONDITION UPON FINAL ACCEPTANCE OF THE PROJECT.
6. WHEN WORKING IN AND AROUND EXISTING DRAINAGE CANALS OR LAKES, APPROPRIATE SILT BARRIERS SHALL BE INSTALLED.

B. ON-SITE:

- 1. ALL ORGANIC AND OTHER UNSUITABLE MATERIAL WITHIN THREE FEET OF AREAS TO BE PAVED SHALL BE REMOVED.
2. SUITABLE BACKFILL SHALL BE MINIMUM LBR 40 MATERIAL COMPACTED TO 98% OF THE MAXIMUM DENSITY AS DETERMINED BY AASHTO T-180 FOR THREE (3) FEET BEYOND THE PERIMETER OF THE PAVING.

XI. STORM DRAINAGE

A. CONTRACTOR MAY UTILIZE ONE OF THE FOLLOWING MATERIALS.

- 1. ALUMINUM:
A. PIPE SHALL BE ALUMINUM, MANUFACTURED IN CONFORMANCE WITH ASTM B209.
B. PIPE SHALL BE SPIRAL RIB DRAINAGE PIPE WITH 3/4" BY 3/4" RIBS, APPROXIMATELY 7-1/2" ON CENTER. GAUGE THICKNESS SHALL MEET FOOT STANDARD 945-1.
C. PIPE COUPLING BANDS SHALL BE 12" WIDE STANDARD SPLIT BANDS OF THE SAME ALLOY AS THE PIPE AND MAY BE ONE GAUGE LIGHTER THAN THE PIPE.
D. POLYURETHANE OR OTHER SEALANT SHALL BE USED WITH COUPLING BANDS ON ALL NON-PERFORATED PIPE.
2. REINFORCED CONCRETE PIPE (RCP):
CONCRETE PIPE FOR STORM SEWERS SHALL CONFORM TO ASTM L70-79, TABLE III, WALL B, OR LATEST REVISION. ALL PIPE SHALL HAVE MODIFIED TONGUE AND GROOVE JOINTS, AND HAVE RUBBER GASKETS, UNLESS OTHERWISE SPECIFIED.
3. POLYPROPYLENE PIPE (PPP):
POLYPROPYLENE PIPE SHALL HAVE A SMOOTH INTERIOR AND ANNULAR EXTERIOR CORRUGATIONS. MANNING'S "N" VALUE FOR USE IN DESIGN SHALL BE 0.012. POLYPROPYLENE PIPE MEETS OR EXCEEDS AASHTO M330 OR ASTM F2881 (12"-60") PIPE SHALL BE JOINED BY WATERTIGHT, GASKETED INTEGRAL BELL, REINFORCED BY A POLYMER COMPOSITE BAND & SPIGOT. THE JOINT SHALL BE WATERTIGHT ACCORDING TO THE REQUIREMENTS OF ASTM D3212. POLYPROPYLENE COMPOUND SHALL BE IMPACT MODIFIED COPOLYMER MEETING AASHTO M330 OR ASTM F2881 (12"-60"). INSTALLATION SHALL BE IN ACCORDANCE WITH ASTM D2321.

- 4. MISCELLANEOUS:
A. BEDDING AND INITIAL BACKFILL OVER DRAINAGE PIPES SHALL BE SAND WITH NO ROCK LARGER THAN 1" DIAMETER.
B. BACKFILL MATERIAL UNDER PAVED AREAS SHALL BE COMPACTED TO 98% OF THE MAXIMUM DENSITY AS DETERMINED BY AASHTO T-180.
C. BACKFILL MATERIAL UNDER AREAS NOT TO BE PAVED SHALL BE COMPACTED TO 95% OF THE MAXIMUM DENSITY AS DETERMINED BY AASHTO T-180.
D. CATCH BASINS SHALL BE PRECAST MINIMUM 3000 PSI CONCRETE AND GRADE 40 REINFORCED STEEL.

- 5. INSTALLATION:
A. PIPE SHALL BE PLACED ON STABLE GRANULAR MATERIAL FREE OF ROCK FORMATION OTHER FOREIGN FORMATIONS, AND CONSTRUCTED TO UNIFORM GRADE AND LINE.
B. BACKFILL MATERIAL SHALL BE WELL GRADED GRANULAR MATERIAL WELL TAMPED IN LAYERS NOT TO EXCEED SIX INCHES (6").
C. PROVIDE A MINIMUM PROTECTIVE COVER OF 18 INCHES OVER STORM SEWER AND AVOID UNNECESSARY CROSSING BY HEAVY CONSTRUCTION VEHICLES DURING CONSTRUCTION.
D. THE CONTRACTOR SHALL NOTIFY THE LOCAL WATER CONTROL DISTRICT AT LEAST 24 HOURS PRIOR TO THE START OF THE CONSTRUCTION AND INSPECTION.

XII. STORM DRAINAGE PRE-TREATMENT/EXFILTRATION SYSTEM

- A. ANY CONFLICT WITH EXISTING OR PROPOSED UTILITIES SHALL IMMEDIATELY BE BROUGHT TO THE ATTENTION OF THE ENGINEER. ANY IMPERMEABLE MATERIAL ENCOUNTERED IN THE EXCAVATION FOR THE DRAIN FIELD SHALL BE REMOVED AS DIRECTED BY THE ENGINEER.
B. THE TRENCH LINER SHALL BE TYPAR SPUN BONDED POLYPROPYLENE FILTER FABRIC AS MANUFACTURED BY THE DUPONT COMPANY, OR APPROVED EQUAL. IT SHALL BE USED ON THE SIDES AND TOP OF DRAIN FIELD DITCH. THE TOP SECTION OF THE MATERIAL SHALL BE LAPPED A MINIMUM OF 24 INCHES AND THE CONTRACTOR SHALL TAKE EXTREME CARE IN BACKFILLING TO AVOID BUNCHING OF THE FABRIC.
C. PERFORATED PIPE WITHIN THE DRAIN FIELD SHALL HAVE 3/8 INCH PERFORATIONS 360° AROUND THE PIPE WITH APPROXIMATELY 120 PERFORATIONS PER FOOT OF PIPE.
D. PERFORATED PIPE SHALL TERMINATE FIVE FEET (5') FROM THE DRAINAGE STRUCTURE. THE REMAINING FIVE FEET (5') SHALL BE NON-PERFORATED PIPE.
E. PIPES SHALL TERMINATE TWO FEET (2') FROM THE END OF THE TRENCH OR CONNECT TO ADDITIONAL CATCH BASINS.

XIII. PAVING

A. GENERAL:

- 1. ALL UNDERGROUND UTILITIES SHALL BE COMPLETED PRIOR TO THE CONSTRUCTION OF LIMEROCK BASE AND PRIOR TO PLACEMENT OF THE PAVEMENT.
2. ALL EXISTING PAVEMENT OUT OR DAMAGED BY CONSTRUCTION SHALL BE PROPERLY RESTORED AT THE CONTRACTOR'S EXPENSE.
3. WHERE PROPOSED PAVEMENT IS TO BE CONNECTED TO EXISTING PAVEMENT, THE EXISTING EDGE OF PAVEMENT SHALL BE SAW CUT.
4. ALL STREET CORNER PAVEMENT RADII SHALL BE 25 FEET UNLESS OTHERWISE NOTED ON THE PLANS.
5. UPON COMPLETION OF DRAINAGE IMPROVEMENTS AND LIMEROCK BASE CONSTRUCTION (AND BEFORE PLACING ASPHALT PAVEMENT) THE CONTRACTOR SHALL FURNISH THE ENGINEER OF RECORD AND THE TOWN OF SOUTHWEST RANCHES "AS-BUILT" PLANS FOR THESE IMPROVEMENTS, SHOWING THE LOCATIONS AND THE PERTINENT GRADES OF ALL DRAINAGE INSTALLATIONS AND THE FINISHED ROCK GRADES OF THE ROAD CROWN AND EDGE OF PAVEMENT AT 50 FEET INTERVALS. THESE "AS-BUILTS" SHALL BE APPROVED BY THE CITY PRIOR TO THE PLACEMENT OF ASPHALT.
6. REFER TO ARCHITECTURAL PLANS FOR BRICK PAVERS DESIGN, AS APPLICABLE.

B. MATERIALS:

- 1. BASE COURSE SHALL BE CRUSHED LIMEROCK MIAMI OOLITE WITH A MINIMUM OF 70% CARBONATES OF CALCIUM AND MAGNESIUM (60% FOR LOCAL STREETS AND PARKING AREAS) AND A MINIMUM LIMEROCK BEARING RATIO 100.
2. PRIME COAT AND TACK COAT SHALL MEET F.D.O.T. STANDARDS.
3. SURFACE COURSE SHALL BE EQUAL TO F.D.O.T. TYPE S-3 ASPHALT.
4. REINFORCED CONCRETE SLABS SHALL BE CONSTRUCTED OF CLASS I CONCRETE WITH A MINIMUM STRENGTH OF 3,000 PSI AND SHALL BE REINFORCED WITH A 6" X 6" NO. 6 GAUGE WIRE MESH.
5. REFER TO ARCHITECTURAL PLANS FOR BRICK PAVERS DESIGN, AS APPLICABLE.

C. INSTALLATION:

- 1. LIMEROCK BASE MATERIAL SHALL BE 8 INCHES THICK AND SHALL BE COMPACTED TO 98% OF THE MAXIMUM DENSITY AS DETERMINED BY AASHTO T80-C.
2. LIMEROCK BASE MATERIAL SHALL BE PLACED IN MAXIMUM 6" LIFTS. BASES GREATER THAN 6" SHALL BE PLACED IN TWO OR MORE EQUAL LIFTS.
3. ASPHALTIC CONCRETE SHALL BE A MINIMUM OF 1 1/2" THICK AND SHALL BE PLACED TWO 3/4" LIFTS. (NOTE: SECOND LIFT TO BE PLACED AFTER A MINIMUM OF 80% OF THE HOUSES HAVE BEEN COMPLETED OR AS DIRECTED BY THE CITY ENGINEER).
4. PRIME COAT SHALL BE PLACED ON ALL LIMEROCK BASES IN ACCORDANCE WITH F.D.O.T. STANDARDS.
5. TACK COAT SHALL BE PLACED AS REQUIRED IN ACCORDANCE WITH F.D.O.T. STANDARDS.
6. REFER TO ARCHITECTURAL PLANS FOR BRICK PAVERS DESIGN, AS APPLICABLE.

D. TESTING:

- ALL SUBGRADE, LIMEROCK AND ASPHALT TESTS REQUIRED SHALL BE TAKEN AT THE DIRECTION OF THE ENGINEER AND/OR THE TOWN OF SOUTHWEST RANCHES.
1. THE FINISHED SURFACE OF THE BASE COURSE AND THAT OF THE WEARING SURFACE SHALL NOT VARY MORE THAN 1/4" FROM THE TEMPLATE. ANY IRREGULARITIES EXCEEDING THIS LIMIT SHALL BE CORRECTED.
2. DENSITY TESTS SHALL BE TAKEN BY AN INDEPENDENT TESTING LABORATORY, CERTIFIED BY THE STATE OF FLORIDA, AND TAKEN AS DIRECTED BY THE ENGINEER AND THE CITY OF SOUTHWEST RANCHES.
3. ALL TESTING COSTS (PAVING) SHALL BE PAID FOR BY THE OWNER EXCEPT THOSE TESTS FAILING TO MEET THE SPECIFIED REQUIREMENTS, WHICH ARE TO BE PAID BY THE CONTRACTOR.

XIV. SIGNING AND MARKING

A.

- ALL PAVEMENT MARKINGS SHALL BE HOT APPLIED THERMOPLASTIC MANUFACTURED AND APPLIED IN ACCORDANCE WITH F.D.O.T. STANDARD SPECIFICATION'S SECTION 711 AND BROWARD COUNTY TRAFFIC ENGINEERING DIVISION STANDARDS WHERE APPLICABLE.
B. ALL SIGNS SHALL BE MANUFACTURED AND INSTALLED IN ACCORDANCE WITH THE MANUAL ON UNIFORM TRAFFIC CONTROL DEVICES AND BROWARD COUNTY TRAFFIC ENGINEERING DIVISION STANDARDS.
C. REFLECTIVE PAVEMENT MARKERS SHALL BE CLASS B MARKERS MANUFACTURED IN ACCORDANCE WITH F.D.O.T. STANDARD SPECIFICATIONS 706 AND INSTALLED IN ACCORDANCE WITH THE MANUFACTURER'S RECOMMENDED PROCEDURES.

6/18/24 P:\Projects_2024\240205 - TOWSR - Drainage for 205th\Code\Plan Sets\CP\240205 - TOWSR - Drainage for 205th GN.dwg

Table with 2 columns: NO, DATE, BY, APPR, REVISIONS

SW 205TH AVE AND SW 49TH COURT DRAINAGE PROJECT TOWN OF SOUTHWEST RANCHES, FL 33332

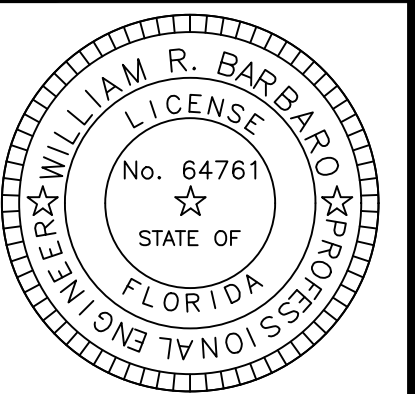
GENERAL NOTES



CIVIL ENGINEERING | CONSTRUCTION SERVICES | GEOMATICS 814 S. MILITARY TRAIL, DEERFIELD BEACH, FLORIDA 33442 PHONE: (954) 972-3959 FAX: (954) 972-4178

SCALE: AS SHOWN DATE: 6/18/2024 DRAWN BY: R.T. CHECKED BY: W.B. DESIGNED BY: C.D.

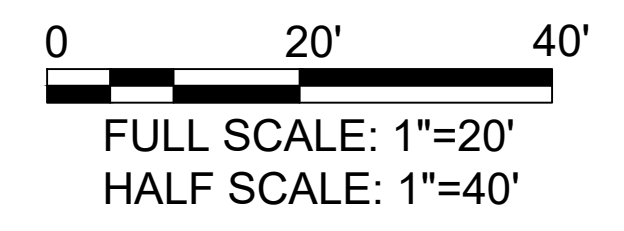
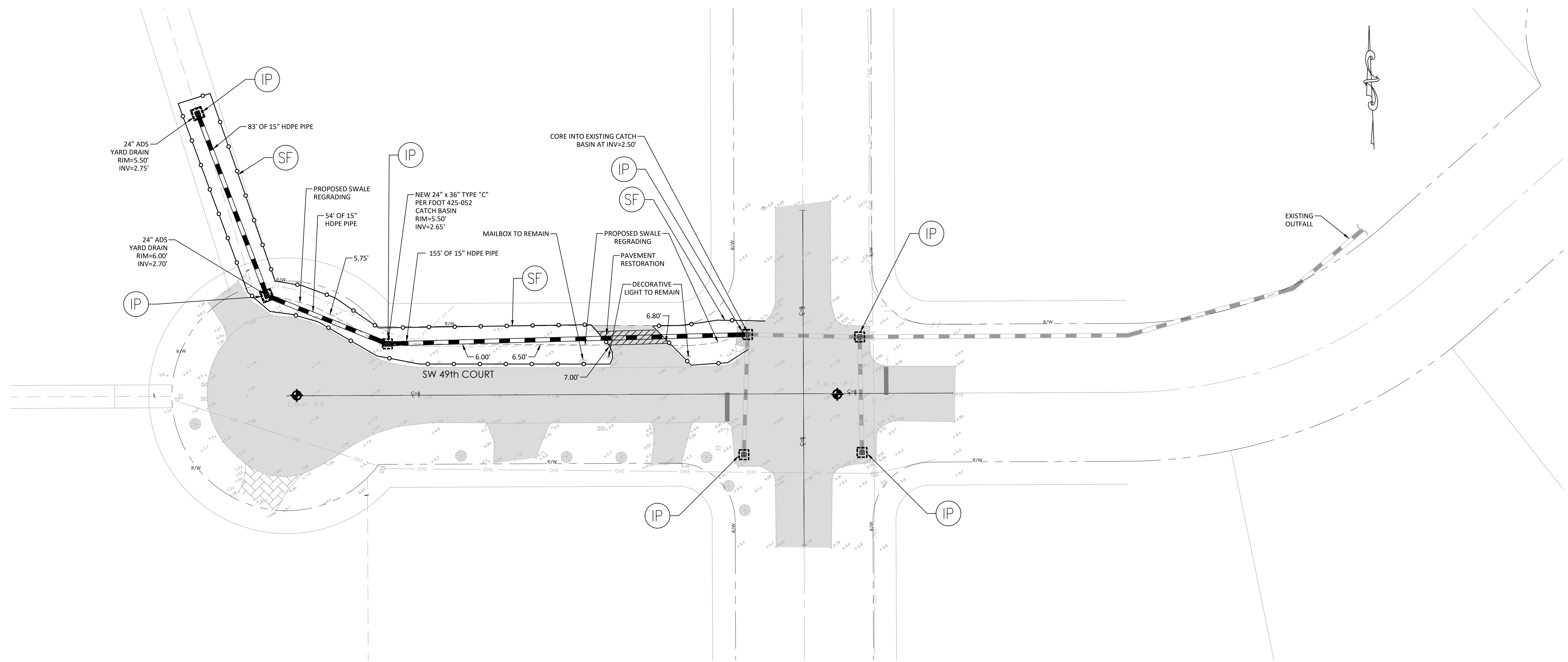
GN-2



WILLIAM R. BARBARO, P.E. FL. REGISTRATION NO. - 64761

BID SET

6/18/24 P:\Projects_2024\240205 - TOWSR - Drainage for 205th\Gad\Plan Sets\CP\240205 - TOWSR - Drainage for 205th C-1 & C-2.dwg



Legend	
See Erosion Control Details	
Symbol	Description
	INLET PROTECTION
	TYPE III SILT FENCE
	CONSTRUCTION ENTRANCE/EXIT
	TURBIDITY BARRIER
	SEDIMENT FENCE

SW 205TH AVE AND SW 49TH COURT
DRAINAGE PROJECT
TOWN OF SOUTHWEST RANCHES, FL 33332

EROSION CONTROL PLANS

NO	DATE	BY	APRV	REVISIONS

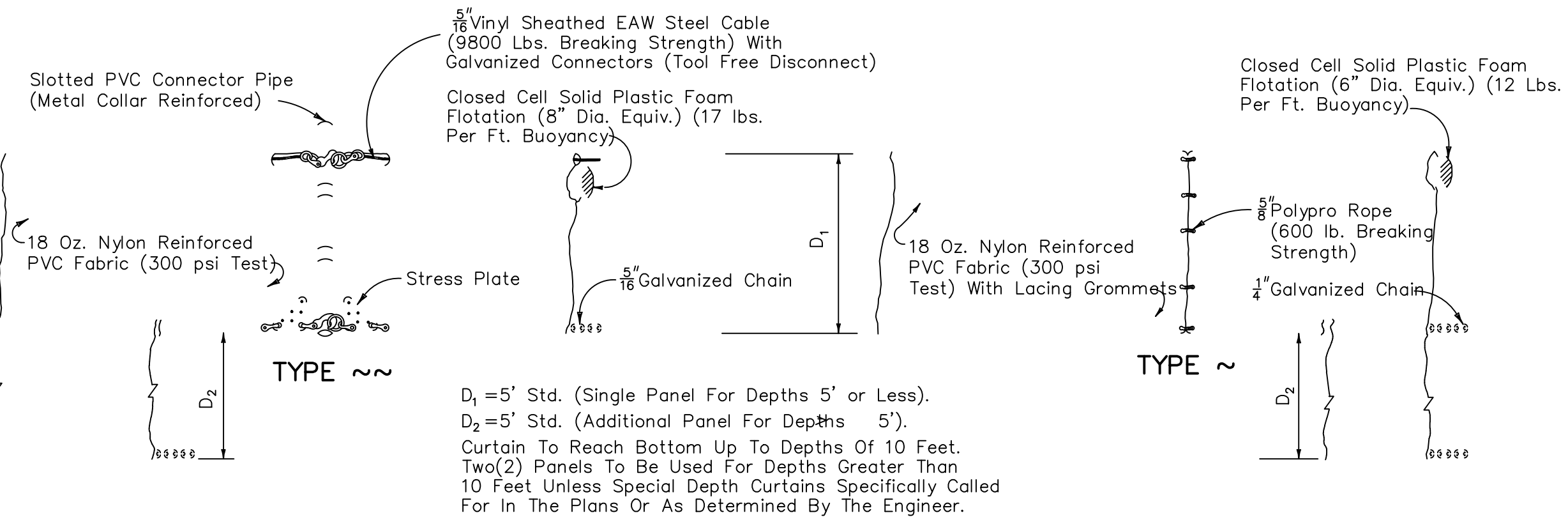
GARNAHAN PROCTOR & CROSS
CIVIL ENGINEERING | CONSTRUCTION SERVICES | GEOMATICS
814 S. MILITARY TRAIL, DEERFIELD BEACH, FLORIDA 33442
PHONE: (561) 972-3859 FAX: (561) 972-4178
FILE NO. 240205

SCALE:	AS SHOWN
DATE:	6/18/2024
DRAWN BY:	R.T.
CHECKED BY:	W.B.
DESIGNED BY:	C.D.

C-1.0

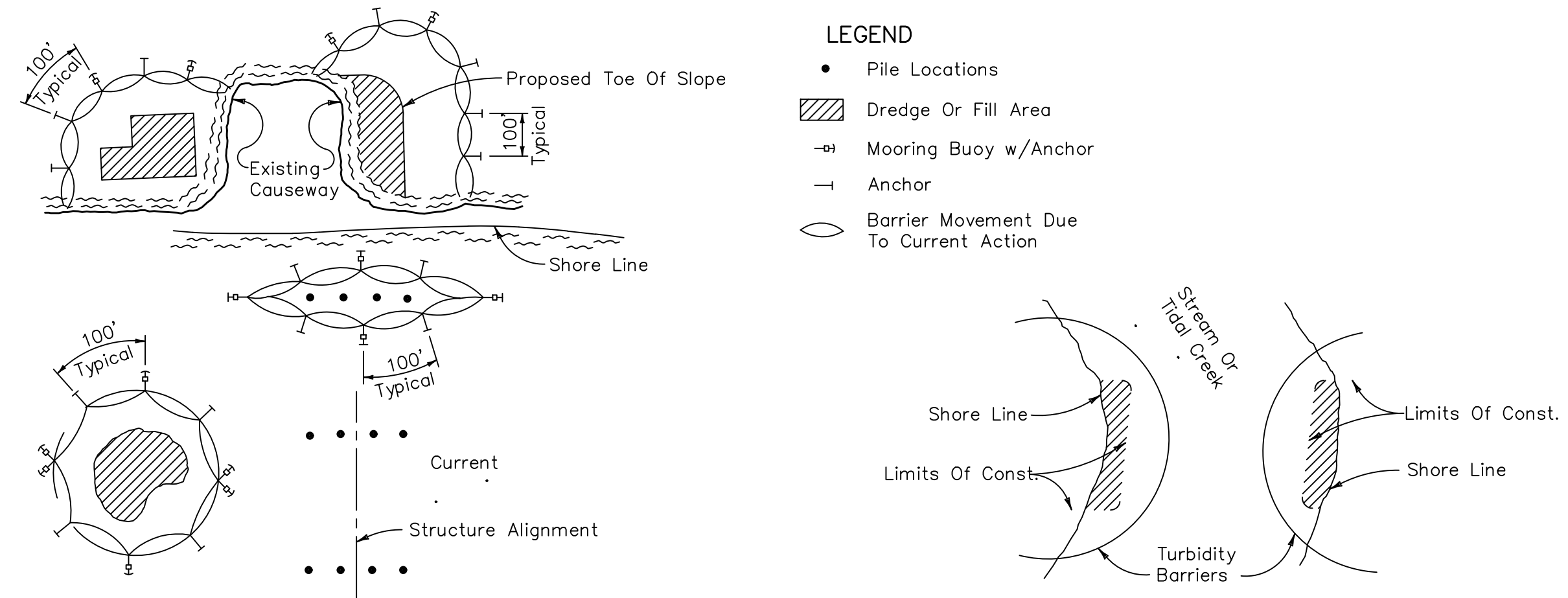
WILLIAM R. BARBARO, P.E.
FL. REGISTRATION NO. - 64761

BID SET



NOTICE: COMPONENTS OF TYPES ~ AND ~ MAY BE SIMILAR OR IDENTICAL TO PROPRIETARY DESIGNS. ANY INFRINGEMENT ON THE PROPRIETARY RIGHTS OF THE DESIGNER SHALL BE THE SOLE RESPONSIBILITY OF THE USER. SUBSTITUTIONS FOR TYPES ~ AND ~ SHALL BE AS APPROVED BY THE ENGINEER.

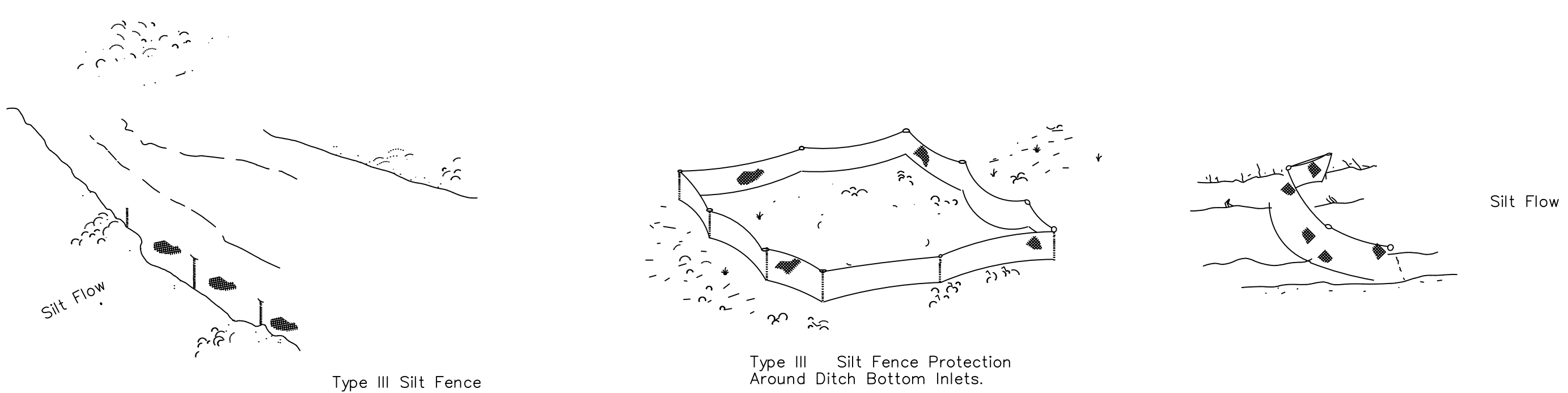
FLOATING TURBIDITY BARRIERS



- NOTES:
- Turbidity barriers are to be used in all permanent bodies of water regardless of water depth.
 - Number and spacing of anchors dependent on current velocities.
 - Deployment of barrier around pile locations may vary to accommodate construction operations.
 - Navigation may require segmenting barrier during construction operations.
 - For additional information see Section 104 of the Standard Specifications.

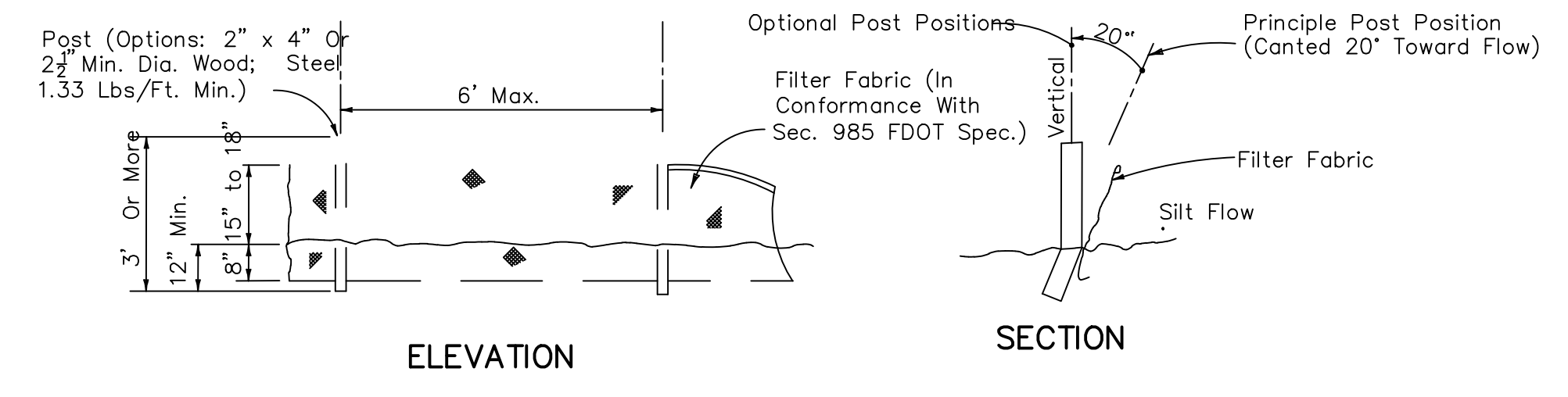
Note: Turbidity barriers for flowing streams and tidal creeks may be either floating, or staked types or any combinations of types that will suit site conditions and meet erosion control and water quality requirements. The barrier type(s) will be at the Contractors option unless otherwise specified in the plans, however payment will be under the pay item(s) established in the plans for Floating Turbidity Barrier and/or Staked Turbidity Barrier. Posts in staked turbidity barriers to be installed in vertical position unless otherwise directed by the Engineer.

TURBIDITY BARRIER APPLICATIONS



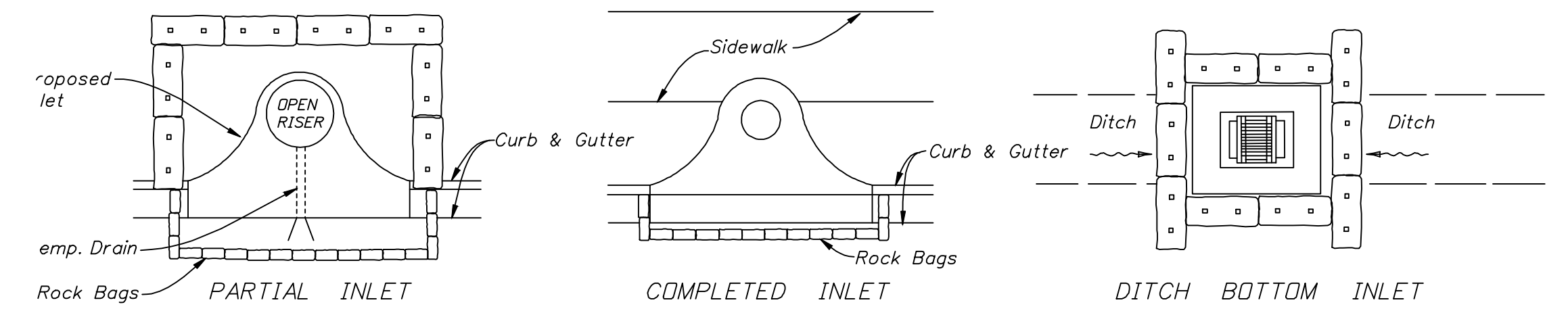
Do not deploy in a manner that silt fences will act as a dam across permanent flowing watercourses. Silt fences are to be used at upland locations and turbidity barriers used at permanent bodies of water.

SILT FENCE APPLICATIONS

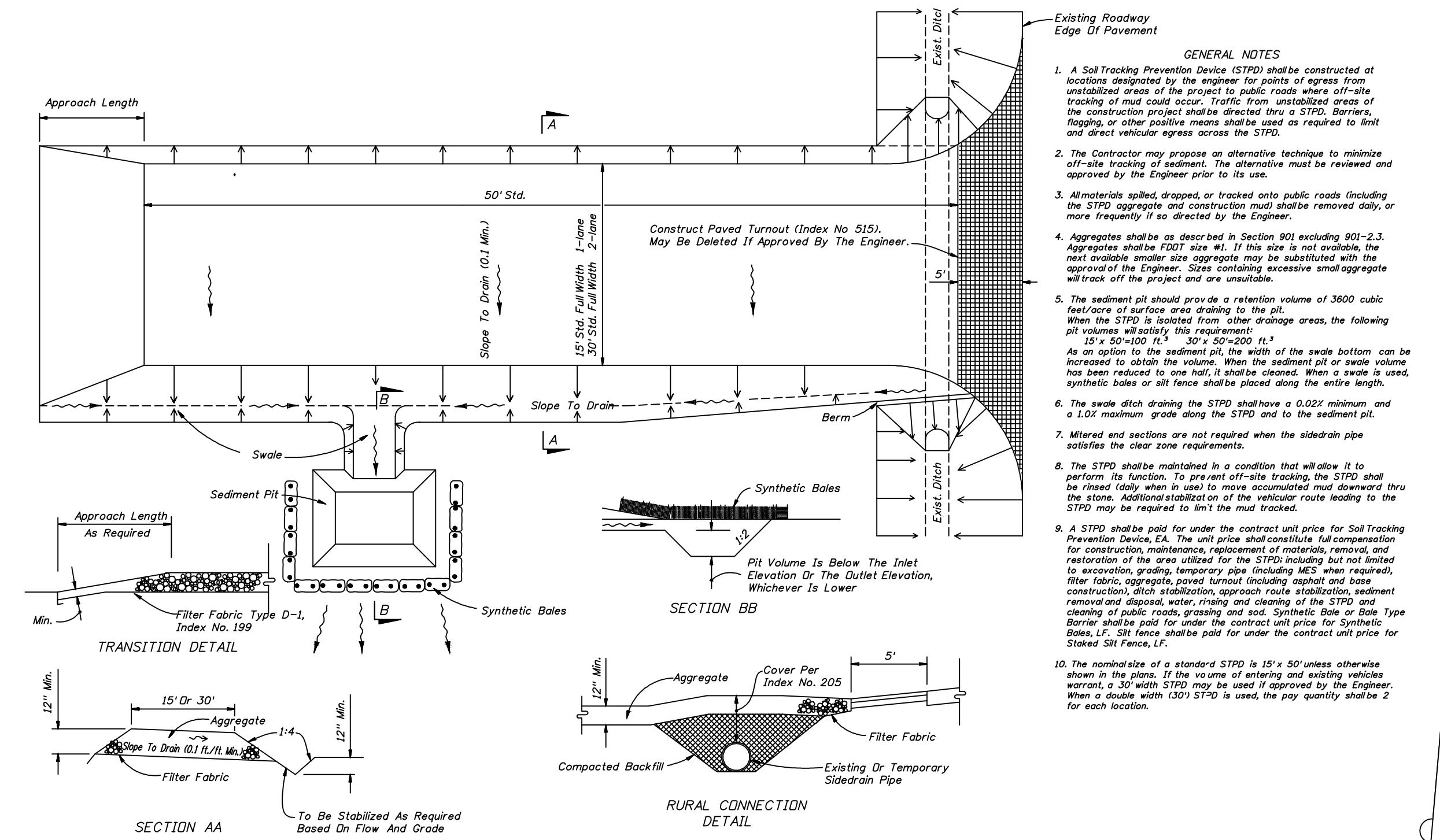


Note: Silt Fence to be paid for under the contract unit price for Staked Silt Fence (LF).

TYPE III SILT FENCE



INLET PROTECTION DETAIL



- GENERAL NOTES
- A Soil Tracking Prevention Device (STPD) shall be constructed at locations designated by the engineer for points of access from unstabilized areas of the project to public roads where off-site tracking of mud could occur. Traffic from unstabilized areas of the construction project shall be directed thru a STPD. Barriers, flagging, or other positive means shall be used as required to limit and direct vehicular egress across the STPD.
 - The Contractor may propose an alternative technique to minimize off-site tracking of sediment. The alternative must be reviewed and approved by the Engineer prior to its use.
 - Materials spilled, dropped, or tracked onto public roads (including the STPD) aggregate and construction must be removed daily, or more frequently if so directed by the Engineer.
 - Aggregates shall be as described in Section 901-2.3. Aggregates shall be 500 size #4. If this size is not available, the next available smaller size aggregate may be substituted with the approval of the Engineer. Sizes containing excessive sand/aggregate will track off the project and are unsuitable.
 - The sediment pit should provide a retention volume of 3600 cubic feet/acre of surface area draining to the pit. When the STPD is isolated from other drainage areas, the following pit volumes will satisfy this requirement: 15' x 50'-100' ft., 30' x 50'-200' ft. As an option to the sediment pit, the width of the swale bottom can be increased to obtain the volume. When the sediment pit or swale volume has been reduced to one half, it shall be cleaned. When a swale is used, synthetic bales or silt fence shall be placed along the entire length.
 - The swale ditch draining the STPD shall have a 0.02% minimum and a 1.0% maximum grade along the STPD and to the sediment pit.
 - Mitered end sections are not required when the sidewalk pipe satisfies the clear zone requirements.
 - The STPD shall be maintained in a condition that will allow it to perform its function. To prevent off-site tracking, the STPD shall be raised daily when in use to move accumulated mud downward thru the stone. Additional stabilization of the vehicular route leading to the STPD may be required to limit the mud tracked.
 - A STPD shall be paid for under the contract unit price for Soil Tracking Prevention Device EA. The unit price shall constitute full compensation for construction, maintenance, replacement of materials, removal, and restoration of the area utilized for the STPD including but not limited to excavation, grading, temporary pipe (including MEC) when required, filter fabric, aggregate, paved turnout (including approach) and base construction, ditch stabilization, approach route stabilization, sediment removed (disposed, water, rising and cleaning of the STPD and cleaning of public roads, grassing and soil. Synthetic Bale or Bale Type Barrier shall be paid for under the contract unit price for Synthetic Bales, LF. Silt fence shall be paid for under the contract unit price for Staked Silt Fence, LF.
 - The nominal size of a standard STPD is 15' x 50' unless otherwise shown in the plans. If the volume of entering and exiting vehicles warrants a 30' width STPD may be used if approved by the Engineer. When a double width (30') STPD is used, the pay quantity shall be 2 for each location.

SOIL TRACKING DETAIL

NO.	DATE	BY	APPROV.	REVISIONS

SW 205TH AVE AND SW 49TH COURT
DRAINAGE PROJECT
TOWN OF SOUTHWEST RANCHES, FL 33332

EROSION CONTROL DETAILS

SCALE: AS SHOWN
DATE: 6/18/2024
DRAWN BY: R.T.
CHECKED BY: W.B.
DESIGNED BY: C.D.

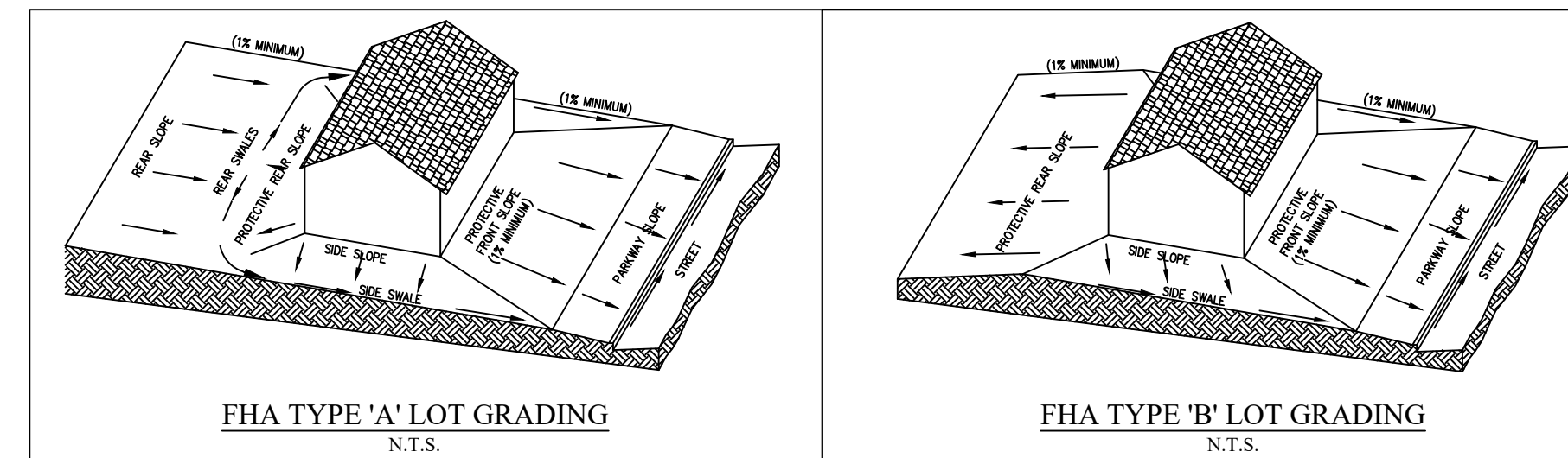
C-2.0

WILLIAM R. BARBARO, P.E.
FL. REGISTRATION NO. - 64761

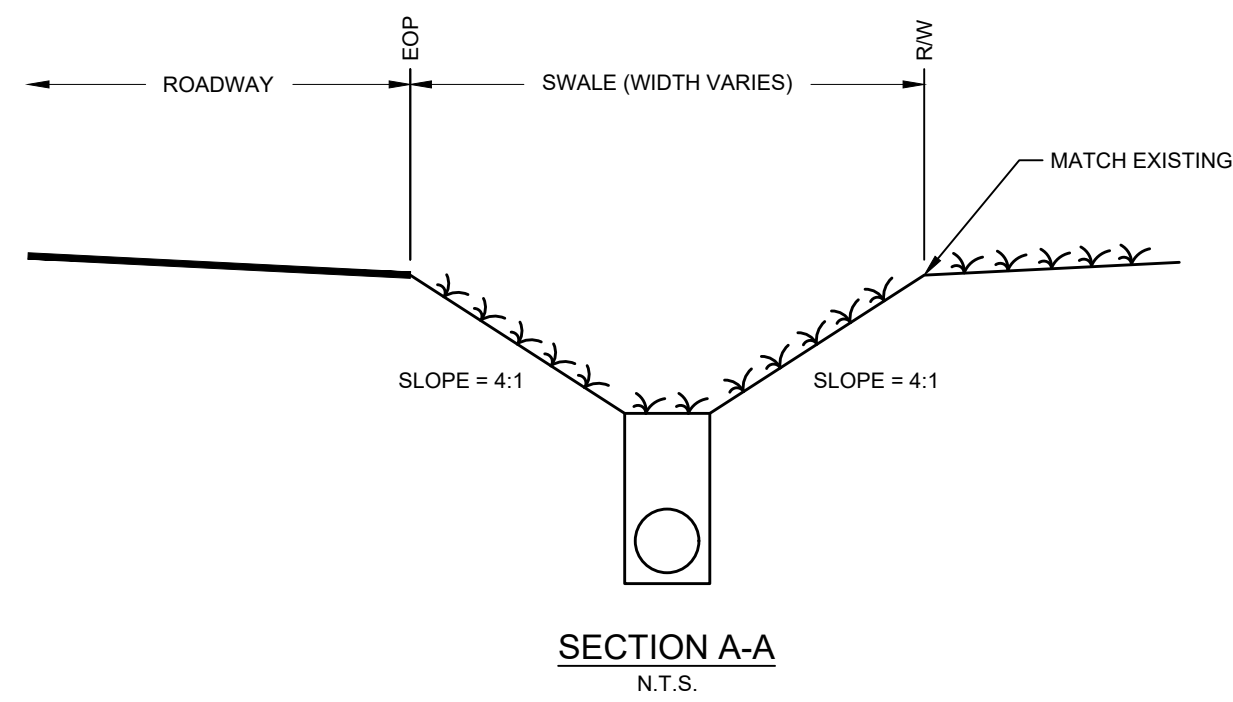
BID SET

6/18/24 P:\Projects_2024\240205 - TOWSR - Drainage for 205th C-1 & C-2.dwg

6/18/24 P:\Projects_2024\240205 - TOWSR - Drainage for 205th Ave and SW 49th Court - Drainage for 205th C-3.dwg

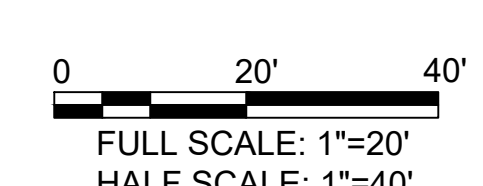
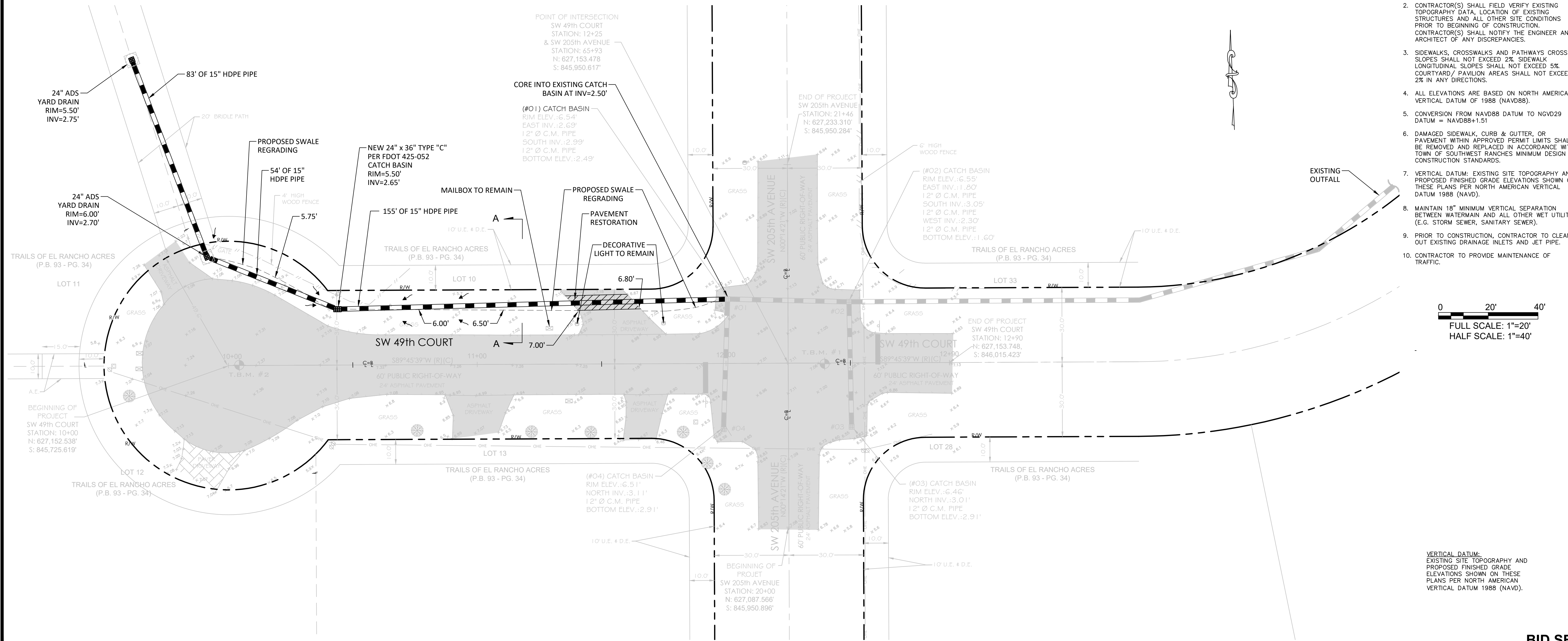


TYPICAL LOT GRADING



Legend	
	PROPERTY BOUNDARY
	LIMITS OF WORK OFFSITE IMPROVEMENTS
	PHASE LINE
	RIGHT OF WAY (R.O.W.)
	EASEMENT LINE
	PRIVACY FENCING
	PRIVACY WALL
	SWALE CENTER LINE
	LOT NUMBERS
	PROP. STORM PIPE
	EX. STORM PIPE
	EXISTING STRUCTURE
	PROPOSED CURB INLET (CI)
	PROPOSED DITCH BOTTOM INLET (DBI)
	PROPOSED CONCRETE END WALL
	PROPOSED MANHOLE (MH)
	PROPOSED MITERED END SECTION (MES)
	PROPOSED FLARED END SECTION (FES)
	MATCH EXISTING GRADE
	FINISHED FLOOR ELEVATION
	EXISTING
	PROPOSED
	DIRECTION OF SURFACE WATER

- GENERAL NOTES:**
- ALL SOIL DENSITY TESTING, SUBSURFACE INVESTIGATIONS AND ALL OTHER GEOTECHNICAL ACTIVITY ONSITE SHALL BE SUPERVISED AND CERTIFIED BY A PROFESSIONAL GEOTECHNICAL ENGINEER.
 - CONTRACTOR(S) SHALL FIELD VERIFY EXISTING TOPOGRAPHY DATA, LOCATION OF EXISTING STRUCTURES AND ALL OTHER SITE CONDITIONS PRIOR TO BEGINNING OF CONSTRUCTION. CONTRACTOR(S) SHALL NOTIFY THE ENGINEER AND ARCHITECT OF ANY DISCREPANCIES.
 - SIDEWALKS, CROSSWALKS AND PATHWAYS CROSS SLOPES SHALL NOT EXCEED 2%. SIDEWALK LONGITUDINAL SLOPES SHALL NOT EXCEED 5%. COURTYARD/ PAVILION AREAS SHALL NOT EXCEED 2% IN ANY DIRECTIONS.
 - ALL ELEVATIONS ARE BASED ON NORTH AMERICAN VERTICAL DATUM OF 1988 (NAVD88).
 - CONVERSION FROM NAVD88 DATUM TO NGVD29 DATUM = NAVD88+1.51
 - DAMAGED SIDEWALK, CURB & GUTTER, OR PAVEMENT WITHIN APPROVED PERMIT LIMITS SHALL BE REMOVED AND REPLACED IN ACCORDANCE WITH TOWN OF SOUTHWEST RANCHES MINIMUM DESIGN & CONSTRUCTION STANDARDS.
 - VERTICAL DATUM: EXISTING SITE TOPOGRAPHY AND PROPOSED FINISHED GRADE ELEVATIONS SHOWN ON THESE PLANS PER NORTH AMERICAN VERTICAL DATUM 1988 (NAVD).
 - MAINTAIN 18" MINIMUM VERTICAL SEPARATION BETWEEN WATERMAIN AND ALL OTHER WET UTILITIES (E.G. STORM SEWER, SANITARY SEWER).
 - PRIOR TO CONSTRUCTION, CONTRACTOR TO CLEAN OUT EXISTING DRAINAGE INLETS AND JET PIPE.
 - CONTRACTOR TO PROVIDE MAINTENANCE OF TRAFFIC.

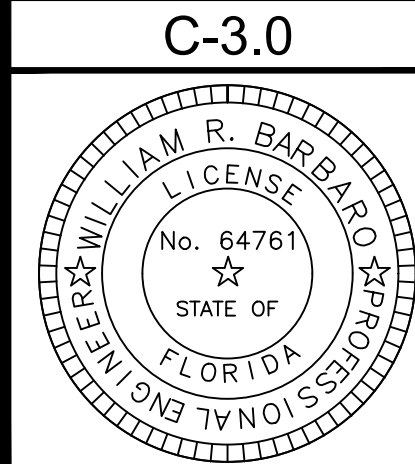


VERTICAL DATUM:
EXISTING SITE TOPOGRAPHY AND
PROPOSED FINISHED GRADE
ELEVATIONS SHOWN ON THESE
PLANS PER NORTH AMERICAN
VERTICAL DATUM 1988 (NAVD).

SW 205TH AVE AND SW 49TH COURT
DRAINAGE PROJECT
TOWN OF SOUTHWEST RANCHES, FL 33332

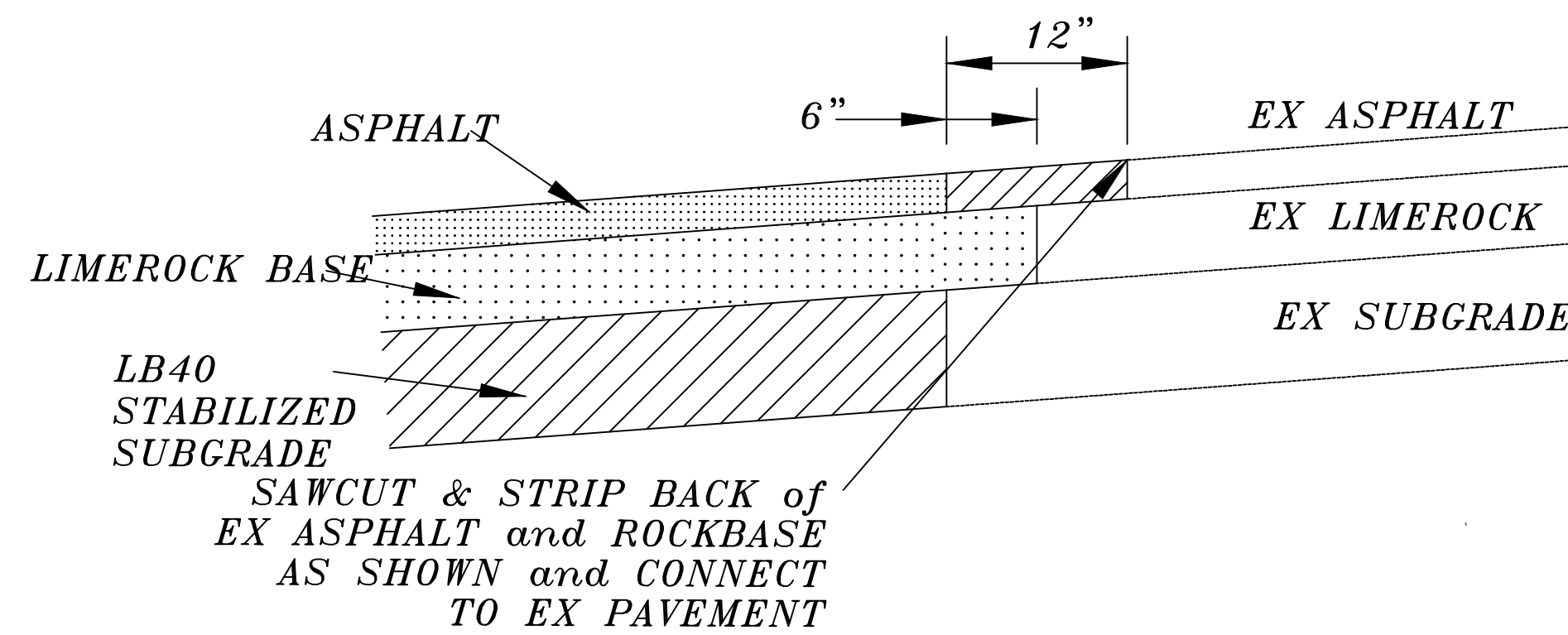


SCALE:	AS SHOWN
DATE:	6/18/2024
DRAWN BY:	R.T.
CHECKED BY:	W.B.
DESIGNED BY:	C.D.

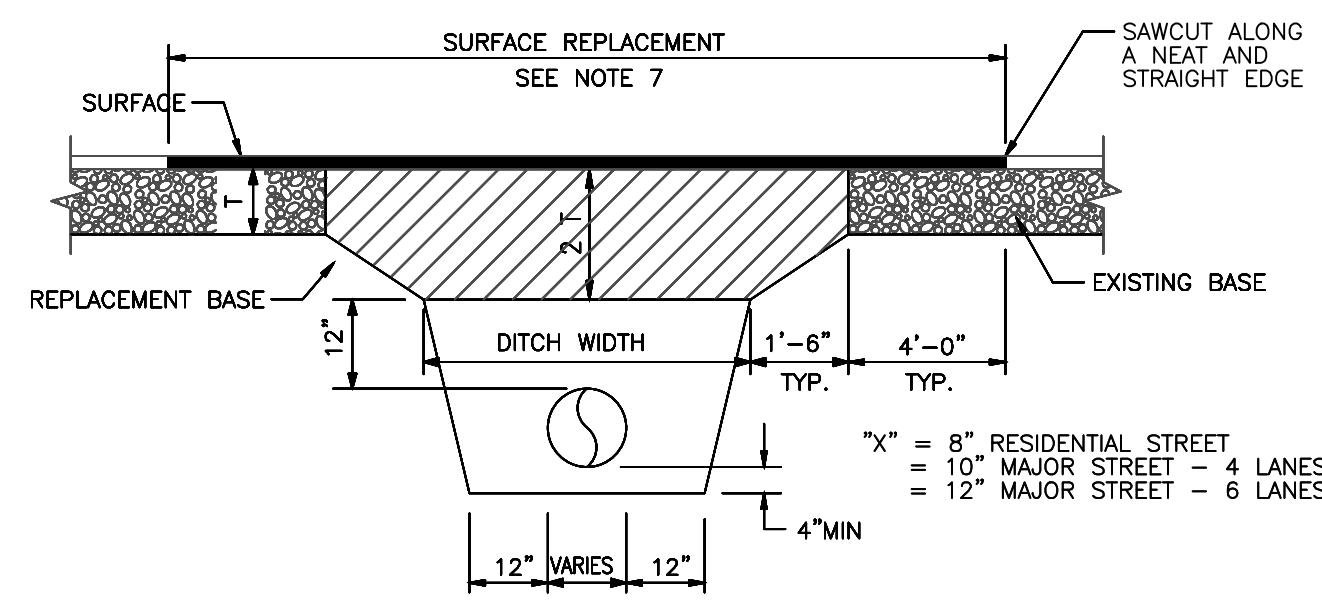


WILLIAM R. BARBARO, P.E.
FL REGISTRATION NO. - 64761

BID SET

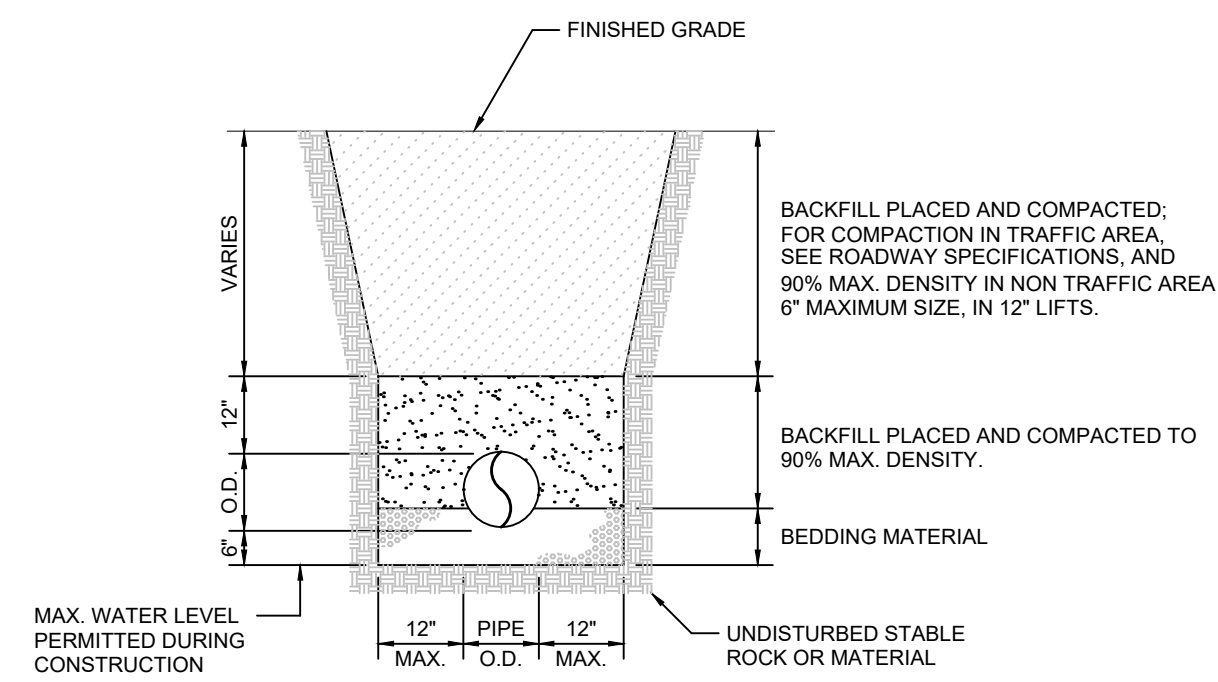


CONNECTION TO EX PVMT DETAIL
N.T.S.



- GENERAL NOTES :
1. REPLACED BASE MATERIAL OVER DITCH SHALL BE TWICE THE THICKNESS OF THE ORIGINAL BASE, BUT NOT LESS THAN "X" SCHEDULE.
 2. BASE MATERIAL SHALL BE PLACED IN 6 INCH MAXIMUM LAYERS AND EACH LAYER THOROUGHLY ROLLED OR TAMPED TO 98% OF MAXIMUM DENSITY, PER AASHTO T-180. BASE MATERIAL SHALL HAVE A MINIMUM LBR OF 100.
 3. ASPHALTIC CONCRETE PAVEMENT JOINTS SHALL BE MECHANICALLY SAWED.
 4. SURFACE TREATED PAVEMENT JOINTS SHALL BE LAPPED AND FEATHERED.
 5. SURFACE MATERIAL WILL BE CONSISTENT WITH THE EXISTING SURFACE.
 6. IF THE DITCH IS FILLED TEMPORARILY, IT SHALL BE COVERED WITH A 2 INCH ASPHALTIC CONCRETE PATCH TO KEEP THE FILL MATERIAL FROM RAVELING UNTIL PLACED WITH A PERMANENT PATCH.
 7. MINIMUM WIDTH OF PAVEMENT RESTORATION SHALL BE ONE LANE WIDTH.

PAVEMENT RESTORATION
N.T.S.



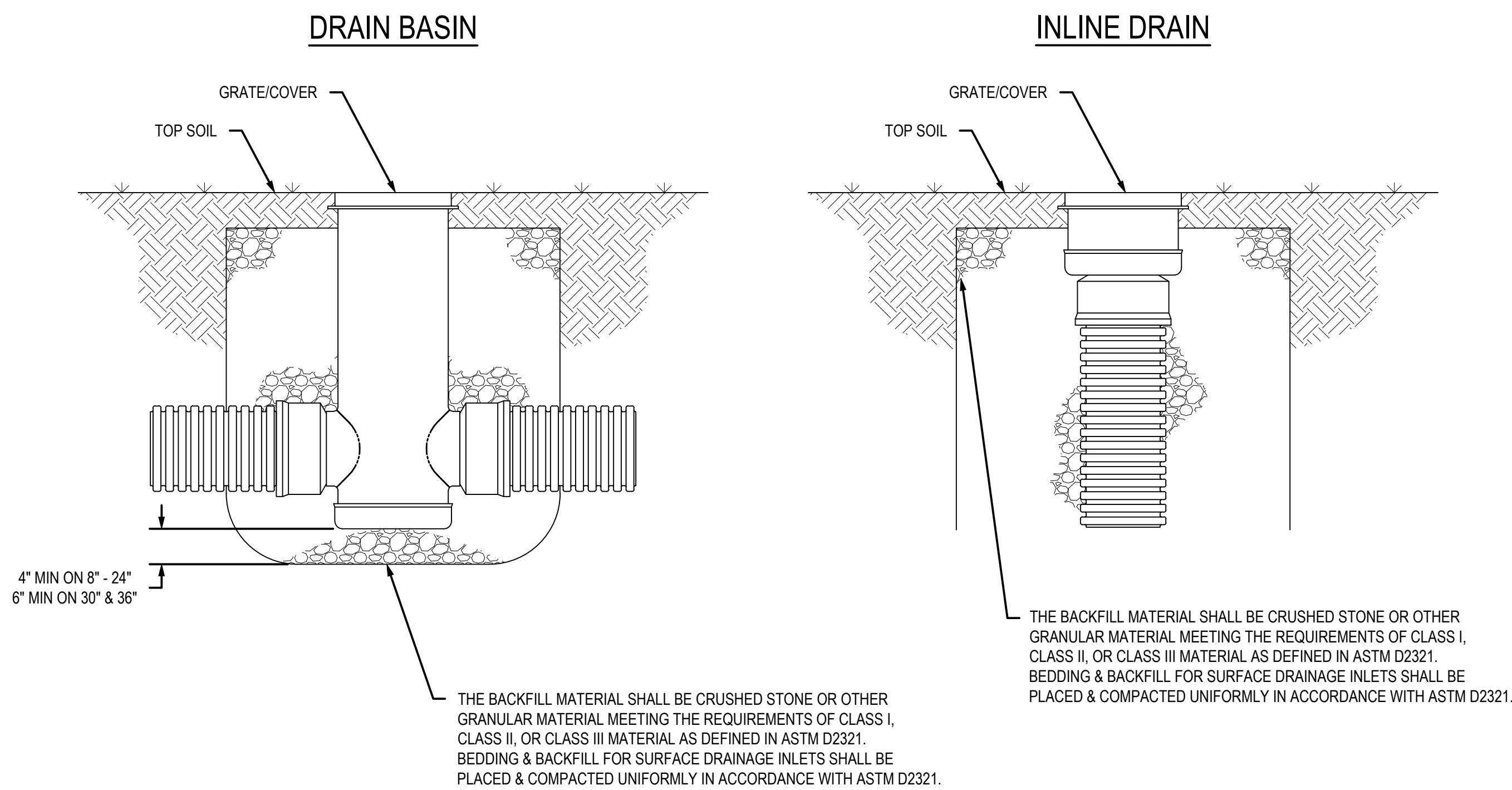
- NOTES:
1. WHERE SOIL CONDITION CANNOT BE MAINTAINED AS SHOWN ABOVE, PROVIDE APPROVED MEANS OF CONSTRUCTION.
 2. WHERE REQUIRED SHEETING AND SHORING SHALL BE IN ACCORDANCE WITH THE LOCAL GOVERNMENTAL AGENCY.
 3. MUCK OR OTHER UNSUITABLE MATERIAL SHALL BE COMPLETELY REMOVED.
 4. WHEN THE PIPE IS LAID IN THE PREPARED TRENCH, TRUE TO LINE AND GRADE, THE PIPE BARREL SHALL RECEIVE CONTINUOUS UNIFORM SUPPORT. WHERE NECESSARY, COURSE SAND, PEA ROCK OR 3/4" LIMESTONE GRAVEL SHALL BE USED TO PROVIDE UNIFORM BEDDING.
 5. JOINTS MAY BE REQUIRED TO BE WRAPPED AT THE DISCRETION OF THE DISTRICT AND THE SITE CONDITIONS.
 6. BACKFILL MATERIAL SHALL BE NON-COHESIVE AND NON-PLASTIC SOIL THAT IS FREE OF ALL DEBRIS, LUMPS, WOOD BROKEN PAVING OR ANY ORGANIC OR UNSUITABLE MATERIAL. BACKFILL MATERIAL PLACED WITHIN 12" OF THE PIPE SHALL CONTAIN NO ROCKS OR STONES LARGER THAN 3/4" IN DIAMETER. NO ROCKS OR STONES LARGER THAN 6" IN DIAMETER WILL BE PERMITTED IN THE REMAINING BACKFILL UNLESS OTHERWISE SPECIFIED.
 7. TRENCH BACKFILL SHALL BE COMPACTED TO NOT LESS THAN 90 PERCENT OF THE MAXIMUM DRY DENSITY DETERMINED BY AASHTO T-180. BACKFILL AND COMPACTION SHALL BE IN ACCORDANCE TO THE STANDARD ENGINEERING DESIGN REQUIRED BY THE LOCAL GOVERNMENTAL AGENCY.

TRENCH EXCAVATION DETAIL
N.T.S.

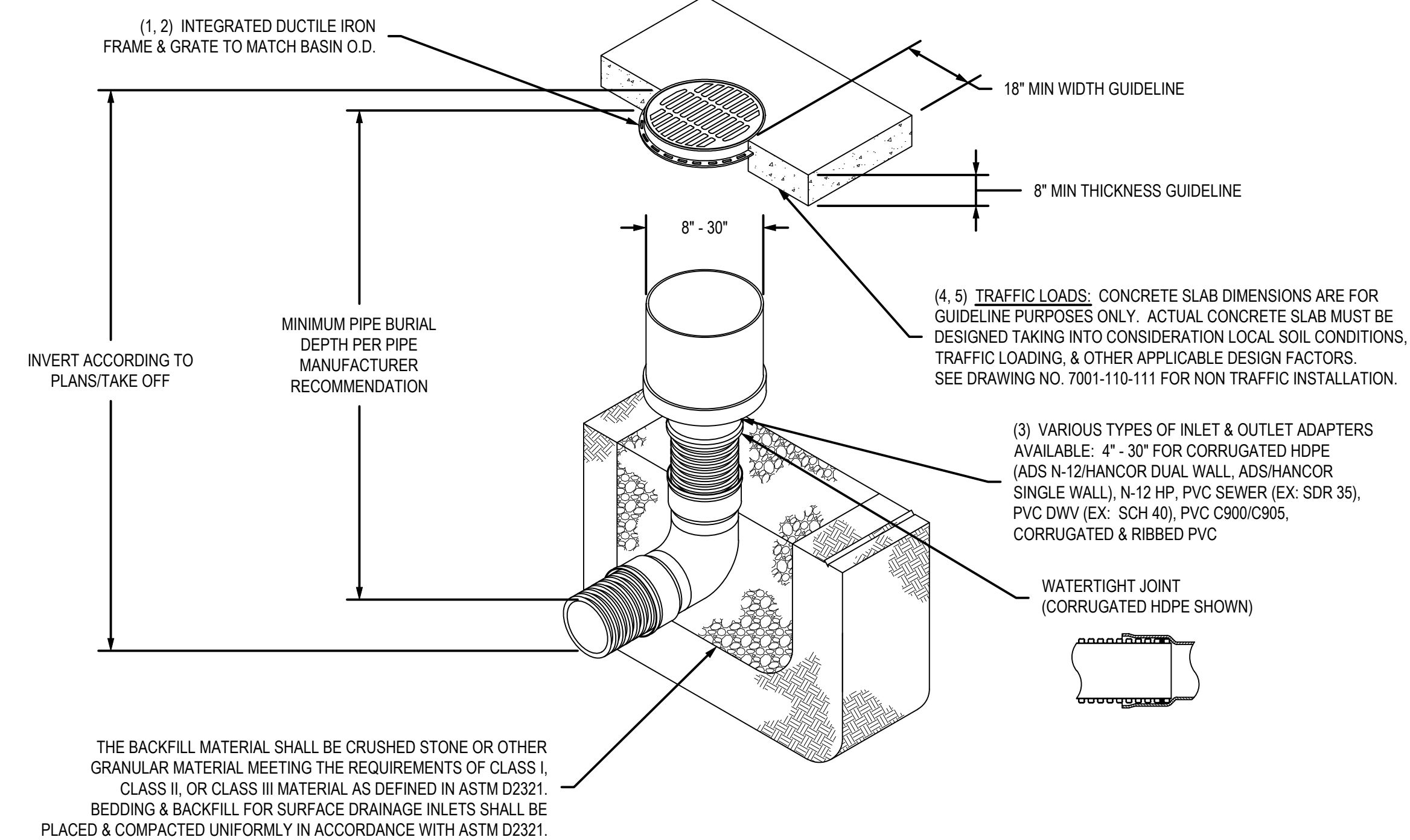
GENERAL NOTES

- THE FOLLOWING GENERAL NOTES ARE REQUIRED BY THE SOUTH BROWARD DRAINAGE DISTRICT (SBDD). THEY ARE NOT MEANT TO BE ALL INCLUSIVE. IT IS THE ENGINEER'S RESPONSIBILITY TO ADD ANY NOTES WHICH WILL INFORM THE OWNER AND THE CONTRACTOR OF ANY ADDITIONAL REQUIREMENTS OF SBDD.
1. THE CONTRACTOR SHALL CONTACT SBDD 48 HOURS OR TWO (2) WORKING DAYS PRIOR TO ANY REQUIRED INSPECTION. TO SCHEDULE INSPECTIONS, PLEASE CALL SBDD AT (954)860-3337. SBDD'S WORKING HOURS ARE FROM 8:00 AM TO 4:30 PM. MONDAY THROUGH FRIDAY EXCEPT HOLIDAYS.
 2. ANY REVISIONS TO PLANS PERMITTED BY SBDD MUST BE APPROVED BY THE DISTRICT ENGINEER PRIOR TO CONSTRUCTION.
 3. A PRECONSTRUCTION MEETING SHALL BE SCHEDULED AND HELD AT LEAST FIVE (5) DAYS PRIOR TO BEGINNING CONSTRUCTION.
 4. A SET OF SHOP DRAWINGS SHALL BE SUBMITTED TO SBDD AFTER APPROVAL BY THE ENGINEER OF RECORD, PRIOR TO BEGINNING CONSTRUCTION.
 5. DURING CONSTRUCTION, SBDD PERSONNEL WILL INSPECT THE FOLLOWING:
 - INSTALLATION OF ALL UNDERGROUND DRAINAGE FACILITIES BEFORE BACKFILLING, BACKFILLING OF DRAINAGE TRENCHES.
 - SHAPING OF CANAL AND LAKE BANKS FROM THE DEEP CUT TO THE UPLAND EASEMENT LINE OR AS REQUIRED BY SBDD.
 - AND ANY OTHER DRAINAGE RELATED CONSTRUCTION WORK.
 RE-INSPECTIONS, EXTRAORDINARY INSPECTIONS AND FINAL INSPECTIONS WILL BE SUBJECT TO ADDITIONAL FEE CHARGES BY SBDD.
 6. THE CONTRACTOR CONSTRUCTING OR EXCAVATING LAKES OR OTHER WATER BODIES SHALL EXERCISE EXTREME CAUTION TO ENSURE THAT THE SIDE SLOPES AND DEEP CUT LINES ARE CONSTRUCTED IN ACCORDANCE WITH THE APPROVED PLANS FOR THE DEVELOPMENT. THE CONTRACTOR OR OWNER SHALL PERIODICALLY, OR AS REQUIRED BY SBDD, OBTAIN A SURVEY, FROM A FLORIDA REGISTERED SURVEYOR OF THE LOCATION OF THE DEEP CUT LINES PRIOR TO FORMING THE SIDE SLOPES. THIS SURVEY SHALL BE PERFORMED PRIOR TO THE OWNER/CONTRACTOR BEGINNING CONSTRUCTION OF ANY BUILDING PAD ADJACENT TO THE WATER BODY. IN THE EVENT THAT THE CONTRACTOR OVER DIGS THE WATER BODY, THE OWNER/CONTRACTOR SHALL SUBMIT TO SBDD ITS SOLUTION TO CORRECT THE OVER DIGGING. ANY SUGGESTED REMEDY OR CORRECTION MUST BE APPROVED BY SBDD BEFORE THE CONTRACTOR BEGINS THE PROPOSED CORRECTION/REMEDY.
 7. PAVING AND DRAINAGE "AS-BUILT" PLANS CERTIFIED BY THE ENGINEER OF RECORD AND APPROVED BY THE DISTRICT'S ENGINEER SHALL BE REQUIRED BEFORE THE RELEASE OF THE BOND OR LETTER OF CREDIT. AS-BUILTS SHALL BE PROVIDED AS AN OVERLAY OF THE APPROVED CONSTRUCTION DRAWINGS AND AT THE SAME SCALE AS ORIGINALLY SUBMITTED. AS-BUILT SUBMITTALS SHALL CONFORM TO THE REQUIREMENTS OF SBDD'S CRITERIA MANUAL. AS-BUILTS MUST ALSO BE PROVIDED IN ELECTRONIC FORMAT.
 8. AS-BUILT DRAWINGS OF WATER BODIES SHALL INCLUDE THE DATA REQUIRED UNDER EXHIBIT 39 OF SBDD'S CRITERIA MANUAL. THE AS-BUILT CROSS SECTIONS SHALL BE PROVIDED AT NOT MORE THAN 100 FOOT INTERVALS AND AT ALL OUTFALL PIPES CONSTRUCTED WITHOUT HEADWALLS.
 9. SBDD WILL NOT COMPLETE THE FINAL INSPECTION UNTIL RECEIPT OF THE AS-BUILT PACKAGE WHICH MUST INCLUDE THE ENGINEER'S CERTIFICATION AND TEST RESULTS FOR STABILIZATION OF LAKE/CANAL MAINTENANCE EASEMENTS, ARE RECEIVED.

NON TRAFFIC INSTALLATION



NYLOPLAST INLINE DRAIN WITH STANDARD GRATE



- 1 - 8" - 30" STANDARD GRATES SHALL BE DUCTILE IRON PER ASTM A536 GRADE 70-50-05.
- 2 - 12" - 30" FRAMES SHALL BE DUCTILE IRON PER ASTM A536 GRADE 70-50-05. 8" & 10" STANDARD GRATES FIT DIRECTLY ONTO INLINE DRAINS SEE DRAWING NO. 7003-110-000 & 7003-110-001.
- 3 - DRAINAGE CONNECTION STUB JOINT TIGHTNESS SHALL CONFORM TO ASTM D3212 FOR CORRUGATED HDPE (ADS N-12/HANCOR DUAL WALL), N-12 HP, & PVC SEWER (4" - 24").
- 4 - 12" - 30" STANDARD GRATES SHALL MEET H-20 LOAD RATING.
- 5 - 8" & 10" STANDARD GRATES ARE RATED FOR LIGHT DUTY APPLICATIONS ONLY; NO CONCRETE COLLAR NEEDED FOR LIGHT DUTY RATING.

THIS PRINT DISCLOSES SUBJECT MATTER IN WHICH NYLOPLAST HAS PROPRIETARY RIGHTS. THE RECEIPT OR POSSESSION OF THIS PRINT DOES NOT CONFER, TRANSFER OR LICENSE THE USE OF THE DESIGN OR TECHNICAL INFORMATION SHOWN HEREIN. REPRODUCTION OF THIS PRINT OR ANY INFORMATION CONTAINED HEREIN, OR MANUFACTURE OF ANY ARTICLE HEREFROM, FOR THE DISCLOSURE TO OTHERS IS FORBIDDEN, EXCEPT BY SPECIFIC WRITTEN PERMISSION FROM NYLOPLAST.

DRAWN BY	EBC	MATERIAL	
DATE	1-23-06	PROJECT NO./NAME	
REVISED BY	NMH	TITLE	
DATE	03-15-16	INLINE DRAIN WITH STANDARD GRATE	
DWG SIZE	A	QUICK SPEC INSTALLATION DETAIL	
SCALE	1:40	DWG NO.	7003-110-022
SHEET	1 OF 1	REV	J

THIS PRINT DISCLOSES SUBJECT MATTER IN WHICH NYLOPLAST HAS PROPRIETARY RIGHTS. THE RECEIPT OR POSSESSION OF THIS PRINT DOES NOT CONFER, TRANSFER, OR LICENSE THE USE OF THE DESIGN OR TECHNICAL INFORMATION SHOWN HEREIN. REPRODUCTION OF THIS PRINT OR ANY INFORMATION CONTAINED HEREIN, OR MANUFACTURE OF ANY ARTICLE HEREFROM, FOR THE DISCLOSURE TO OTHERS IS FORBIDDEN, EXCEPT BY SPECIFIC WRITTEN PERMISSION FROM NYLOPLAST.	DRAWN BY	CJA	MATERIAL	3130 VERONA AVE BUFORD, GA 30518 PHN (770) 932-2443 FAX (770) 932-2490 www.nyloplast-us.com
	DATE	9-30-99		
	REVISED BY	NMH	PROJECT NO./NAME	
	DATE	03-11-16	TITLE	DRAIN BASIN & INLINE DRAIN NON TRAFFIC INSTALLATION
DWG SIZE	A	SCALE	1:25	SHEET 1 OF 1
		DWG NO.	7001-110-111	REV F

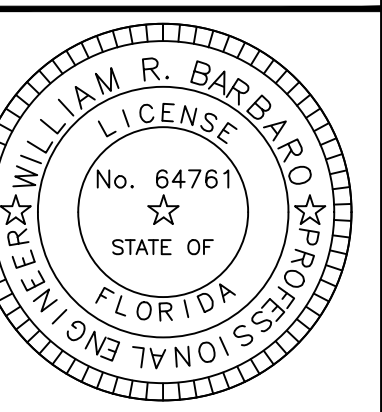
SW 205TH AVE AND SW 49TH COURT
DRAINAGE PROJECT
TOWN OF SOUTHWEST RANCHES, FL 33332

STANDARD DETAILS



SCALE:	AS SHOWN
DATE:	6/18/2024
DRAWN BY:	R.T.
CHECKED BY:	W.B.
DESIGNED BY:	C.D.

C-4.0



WILLIAM R. BARBARO, P.E.
FL. REGISTRATION NO. - 64761

BID SET