

**RESOLUTION NO. 2021-061**

**A RESOLUTION OF THE TOWN COUNCIL OF THE TOWN OF SOUTHWEST RANCHES, FLORIDA, APPROVING A PURCHASE ORDER TO TRAFFIC AND PARKING CONTROL CO., INC. IN THE AMOUNT OF THIRTY-SIX THOUSAND FOUR HUNDRED FORTY-THREE DOLLARS AND FIFTY-THREE CENTS (\$36,343.53) FOR THE PURCHASE OF A DOUBLE-SIDED MESSAGE BOARD; AUTHORIZING THE TOWN ADMINISTRATOR TO EXECUTE THE PURCHASE ORDER; APPROVING A BUDGET AMENDMENT TO THE FISCAL YEAR 2021 ADOPTED BUDGET; AND PROVIDING AN EFFECTIVE DATE.**

**WHEREAS**, the Town was awarded a \$50,000.00 grant from the Florida Department of Law Enforcement Coronavirus Emergency Supplemental Funding program; and

**WHEREAS**, Traffic and Parking Control Co., Inc., a sole source vendor, provided a quote totaling Thirty-Six Thousand Three Hundred Forty-Three Dollars and Fifty-Three Cents (\$36,343.53) for a double-sided message board; and

**WHEREAS**, a budget amendment to the Fiscal Year 2021 adopted budget is required to appropriate the entire grant award of Fifty Thousand Dollars and Zero Cents (\$50,000.00); and

**WHEREAS**, the Town Council believes that the approval of this purchase order is in the best interest of the health, safety, and welfare of its residents.

**NOW, THEREFORE, BE IT RESOLVED BY THE TOWN COUNCIL OF THE TOWN OF SOUTHWEST RANCHES, FLORIDA:**

**Section 1:** Recitals. The recitals above are true and correct and are incorporated herein by reference.

**Section 2:** The Town Council hereby approves a purchase order to Traffic and Parking Control Co., Inc in the amount of Thirty-Six Thousand Three Hundred Forty-Three Dollars and Fifty-Three Cents (\$36,343.53) for the purchase of a double-sided message board in substantially the same form as that attached hereto as Exhibit "A".

**Section 3:** Approval. The Town Council hereby authorizes the Town Administrator to execute a purchase order in substantially the same form as that attached hereto as Exhibit "A" and to make such modifications, additions, and/or deletions, which they deem necessary to effectuate the intent of this Resolution.

**Section 4:** The Town Council hereby authorizes a budget amendment to the Fiscal Year 2021 adopted budget recording the entire grant proceeds to be received as well as the purchase of the message board:

**Revenues:**

001-0000-332-33200 Grant FDLE	\$50,000.00
TOTAL REVENUES:	\$50,000.00

**Expenditures:**

001-3000-525-64100	\$36,343.53
001-3000-525-52900	\$13,626.47
TOTAL EXPENDITURES	\$50,000.00

**Section 5:** Effective Date. This Resolution shall become effective immediately upon its adoption.

**PASSED AND ADOPTED** by the Town Council of the Town of Southwest

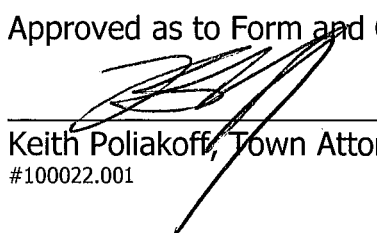
Ranches, Florida, this 8<sup>th</sup> day of July 2021 on a motion by  
cm Jablonski and seconded by cm Kuczenski.

Breitkreuz	<u>yes</u>
Hartmann	<u>yes</u>
Allbritton	<u>yes</u>
Jablonski	<u>yes</u>
Kuczenski	<u>yes</u>

Ayes	<u>5</u>
Nays	<u>0</u>
Absent	<u>0</u>
Abstaining	<u>0</u>

  
Steve Breitkreuz, Mayor

Attest:  
  
Russell Muñoz, Assistant Town Administrator/Town Clerk

Approved as to Form and Correctness:  
  
Keith Poliakoff, Town Attorney  
#100022.001



**Safe travels:**

Traffic and Parking Control Co., Inc.  
 5100 West Brown Deer Road  
 Brown Deer, Wisconsin 53223  
 Phone (800) 236-0112 • TAPCO.net.com • Fax (800) 444-0331

**Customer Copy**

Number	Q21006264
Date	4/15/2021
Page	1

<b>Sell To Cust.</b> C45959	Town of Southwest Ranches Venessa Redman 13400 Griffin Road SOUTHWEST RANCH, FL 33330 USA	<b>Ship To Cust.</b>	Town of Southwest Ranches 13400 Griffin Road SOUTHWEST RANCH, FL 33330 USA		
<b>Customer PO #</b>	<b>Expires</b>	<b>SlsP</b>	<b>Terms</b>	<b>Freight</b>	<b>Ship Via</b>
DOUBLE SIDED MESSAGE TRAILER	7/13/2021	Joe Pilon	Net 30 DAYS	INCLUDED	BEST RATE

Item	Description	Quantity	UM	Price	Extension
SP TRAFFIC	Double Sided Sign L&R Trailer, MBII 23° Display 54"x92" Case, 320 Watt Solar Array	1	EA	36,343.53	\$36,343.53

\*\*\*\*\*  
 Shipping costs are included in the quote total -  
 FOB - Destination  
 \*\*\*\*\*  
 Lead Time = About 6 Weeks  
 \*\*\*\*\*

DUNS # 02-344-3864  
 Federal Tax I.D. # 39-0983658  
 Cage Code - 0GWW8

Thank You! Joe @ TAPCO  
 Ph: 262-814-7330  
 Email: joep@tapconet.com  
 Fax: 262-649-5222

Shipment within \_\_\_\_\_  
 Acceptance By \_\_\_\_\_  
 Date \_\_\_\_\_  
 By \_\_\_\_\_

Merchandise	Freight	Tax	Total
\$36,343.53	\$0.00	\$0.00	\$36,343.53

All prices are listed in **US Dollars (USD)**  
 For terms and conditions, please visit: <https://www.tapconet.com/terms-conditions>



As Reliable as the Sun

**USES AND ADVANTAGES**

The "Silent Messenger" Double-Sided Message Board is ideal for directing traffic from two different directions. You can choose from MB II (92"x 54") or MB III (78"x 46") sign panels.

Model MB-122-3048 has two sign panels on a lift and rotate mast. The sign panels can be angled from parallel to 45 degrees. The sign is powered by a combination of solar panels and batteries for reliable performance.

The sign comes with integrated GPS receiver, cellular transceiver, and **FREE lifetime cellular service**. Use with SolarTech's Command Center software for remote communications - messages can be changed and managed remotely from an office pc or a smartphone.

**REMOTE CONTROL AND GPS TRACKING INCLUDED!**

Command Center software allows you to track your equipment using the built-in cellular transceiver and GPS system.

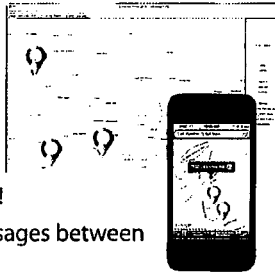
Access units from a map or list. Control units individually or broadcast to a group.

Manage your fleet from your laptop, pc or smartphone... without leaving your desk!

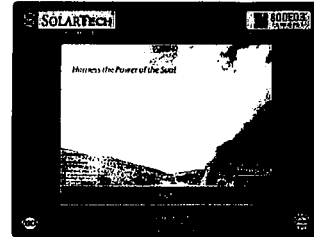
You can build a message library, share messages between boards, schedule messages and more.

Get automatic email notifications when a message changes, if the battery voltage is low, if a panel or module fails, or the unit moves.

Keep tabs on your whole fleet. No more misplaced equipment... fewer problems... less downtime!



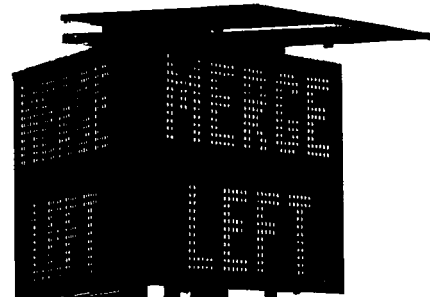
# Silent Messenger Double-Sided Message Board



**EASY-TO-USE CONTROLLER**

The touch-screen controller needs no manual - it's that easy to use! Includes:

- GPS receiver, cellular transceiver and free cellular service for the life of the board
- Password protection
- Intuitive icons for ease of use
- Scheduling capability
- Fully networkable
- NTCIP version 2 compatible
- Automatic software upgrades

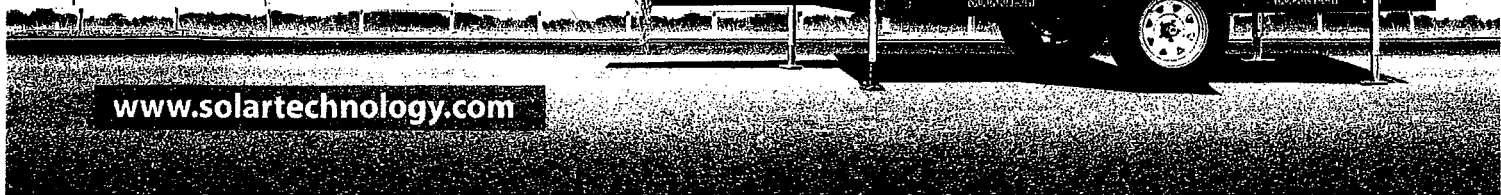


**MB-122-3048  
Lift and Rotate**



**5 Year**  
LIMITED  
Warranty  
SINCE 2009

[www.solartechtechnology.com](http://www.solartechtechnology.com)



# Silent Messenger Double-Sided Message Board

## DISPLAY PANEL MB-122-3048 Lift & Rotate

Panel Size .....	92" x 54" or 78" x 46"
Panel Construction .....	All aluminum, modular construction
Matrix Size .....	27 x 48 pixels
Pixel Pitch .....	1.77" (45 mm) or 1.5" (38 mm)
Characters per Line .....	Up to twelve (12)
Character Height .....	9" to 46" or 7.5" to 39"
Graphics Capability .....	Full matrix with full animation
Display Technology .....	LED (amber, 592 nm)
Display Brightness .....	>10,000 cd/m2 (candela per sq. meter)
Display Life Expectancy .....	10 years
Lifting Mechanism .....	2,000 lb. capacity electro-hydraulic
Sign Panel Rotation .....	> 360 degrees
Sign Panel Height Operating..	162" (412 cm)
Sign Panel Angle .....	Approx. 45 degrees

## TRAILER MB-122-3048 L&R

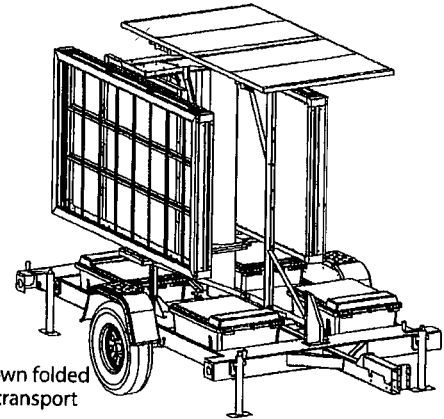
Length Overall .....	180" (457 cm)
Width Overall .....	92" (234 cm)
Width Across Fenders .....	92" (234 cm)
Height Traveling .....	103" (262 cm)
Height Operating .....	162" (412 cm)
Ground Clearance .....	13" (33 cm)
Weight .....	2,700 lbs (max) (1,225 kg) approx.
Coupler (Class III) .....	2" (50 mm) ball or 3" (76 mm) pintle ring
Brake Actuator .....	5,000 lb. reverse surge
Axle/Suspension .....	Torq flex, independent

## ENERGY SOURCE MB-122-3048 L&R

Operating Voltage .....	12 volts DC (nominal)
Battery Type .....	6 volt heavy duty, deep cycle (GC-2)
Number of Batteries .....	Twelve (12)
Battery Bank Capacity .....	1,560 amp hours
Battery Status Indicator .....	Displays battery voltage, charging activity, and low battery condition
Battery Security .....	Anti-theft steel battery frame bolted to trailer
Solar Array Construction .....	Top mounted solar panels in aluminum frame
Solar Array Power Output .....	320 watts (nominal)
Solar Charge Controller .....	Automatic, temperature compensated
Auxiliary Battery Charger .....	45 Amp, 120 volt AC line powered

## MEGA-TECH CONTROL CONSOLE

Console Circuitry .....	Ultra-low-power solid state
Console Touchscreen .....	Waterproof, backlit, full color GUI, intuitive icon-driven, multi-lingual
Programming Software .....	Proprietary, field upgradable
Message Capacity .....	Pre-programmed and user programmed - greater than 250 each
Time/Date Control .....	Real time clock/calendar (365 day)
Message Display Time .....	User-selectable (0.1 to 99 seconds)
Display Update Time .....	Instantaneous
Password Protection .....	User-selectable, multi-level
Operator Interface .....	Easy-to-use icons - no instruction manual needed
Remote Control .....	Embedded cellular transceiver with free cellular service and fleet management software included
Connectivity .....	Network (wired or wireless), NTCIP compatible
GPS .....	Integrated GPS receiver



Shown folded for transport

## OPTIONS AND UPGRADES

### SECOND CONTROLLER

Enables independent messages on each sign

### BATTERY UPGRADES

Twelve (12) maintenance free (gel-cell or AGM) - 1,560 AH capacity

### BATTERY CHARGER UPGRADE

- 90 amp - 120 volt AC

### BRAKES

- Electric Brakes

### SECURITY OPTION

- Vandal-Proof Battery Box reinforced steel cage

### RADAR OPTIONS

- Directional doppler K-Band. User-configurable KPH or MPH. Data Collection and Statistical Analysis Package included.

**Form 1**

**TOWN OF SOUTHWEST RANCHES  
SOLE SOURCE OR SINGLE SOURCE PURCHASE FORM**

Department: Procurement

Vendor Name: TAPCO – Traffic & Parking Control Co., Inc.

Vendor Address: 5100 W. Brown Deer Rd, Brown Deer, WI 53223

Vendor Phone Number: Joe Pilon – 262-814-7330 – joep@tapconet.com

**\*Please include a signed letter on company letterhead from the selected vendor declaring they are indeed a sole or single source for the item(s) being purchased.**

How many individuals, companies, and/or manufacturers were contacted about this purchase:

I contacted four companies/manufacturers (Work Area Protection, Wanco, Solar Technology & Traffic Logix), looking for a double-sided message trailer and only Solar Technology (SolarTech) manufactures one.

If **sole source purchase**, please explain the characteristic(s) of the product or service that limits competitive bidding. (See Purchasing Manual definition section for a definition of sole source purchase.)

Nearly all message trailers are only single sided. Where the display case is only facing and legible from one direction. This RFQ requested a double-sided message trailer, which is extremely rare in the industry.

If **single source purchase**, please explain the characteristic(s) of the product or service that limits competitive bidding. (See Purchasing Manual definition section for a definition of a single source purchase.)

Nearly all message trailers are only single sided. Where the display case is only facing and legible from one direction. This RFQ requested a double-sided message trailer, which is extremely rare in the industry.

Department Director Signature: \_\_\_\_\_ Date: \_\_\_\_\_

Procurement Officer Signature: \_\_\_\_\_